

FOR ALL YOUR STORM & SANITARY NEEDS



PH: (239)482-7468
 FX: (239)482-7469

COASTAL PRECAST
of Florida

P.O. BOX 370
ESTERO, FL. 33928

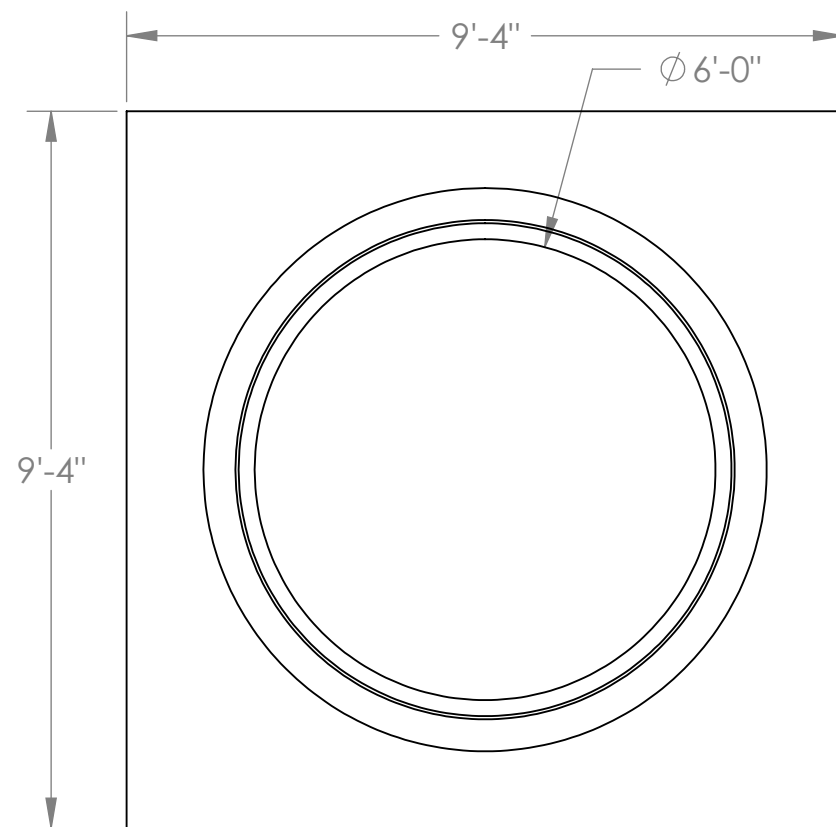
NOTES

CONCRETE SPECS

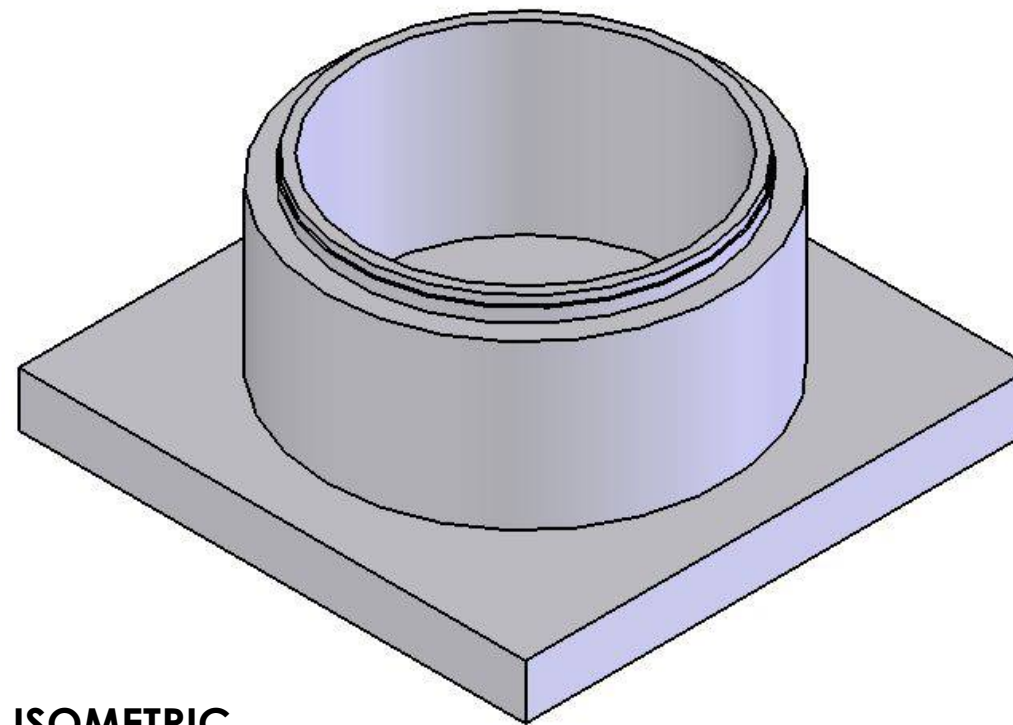
4,000 PSI @ 28 DAYS
 TYPE II CEMENT
 REF. ASTM-C 478
 REINF. REF. FDOT INDEX 200, 201

STANDARDS

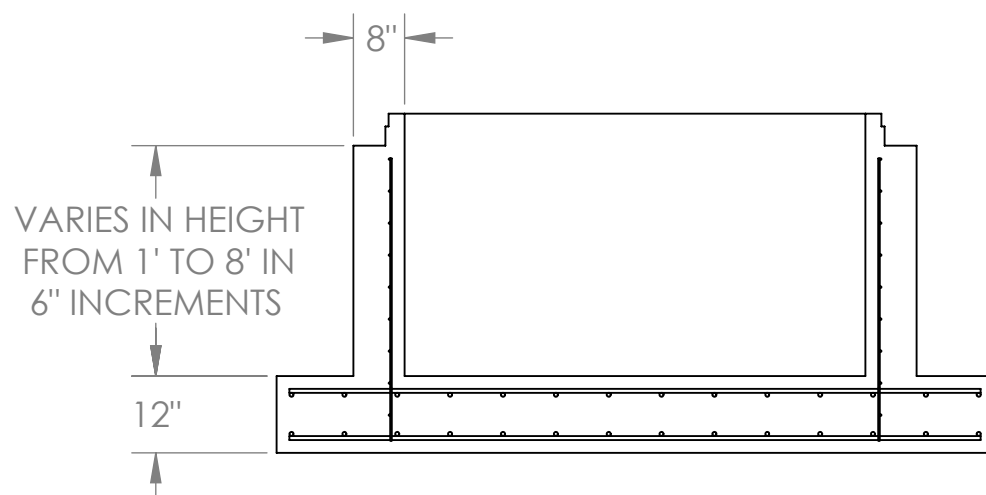
8" WALL
 12" BASE



PLAN



ISOMETRIC



SECTION

STR. HEIGHT	WEIGHT
1'-0"	14766 LBS.
1'-6"	15767 LBS.
2'-0"	16768 LBS.
2'-6"	17769 LBS.
3'-0"	18770 LBS.
3'-6"	19771 LBS.
4'-0"	20772 LBS.
4'-6"	21773 LBS.
5'-0"	22774 LBS.
5'-6"	23775 LBS.
6'-0"	24776 LBS.
6'-6"	25777 LBS.
7'-0"	26778 LBS.
7'-6"	27779 LBS.
8'-0"	28780 LBS.

6' DIA.
MANHOLE
SQUARE BASE