

FOR ALL YOUR STORM & SANITARY NEEDS



PH: (239)482-7468

FX: (239)482-7469

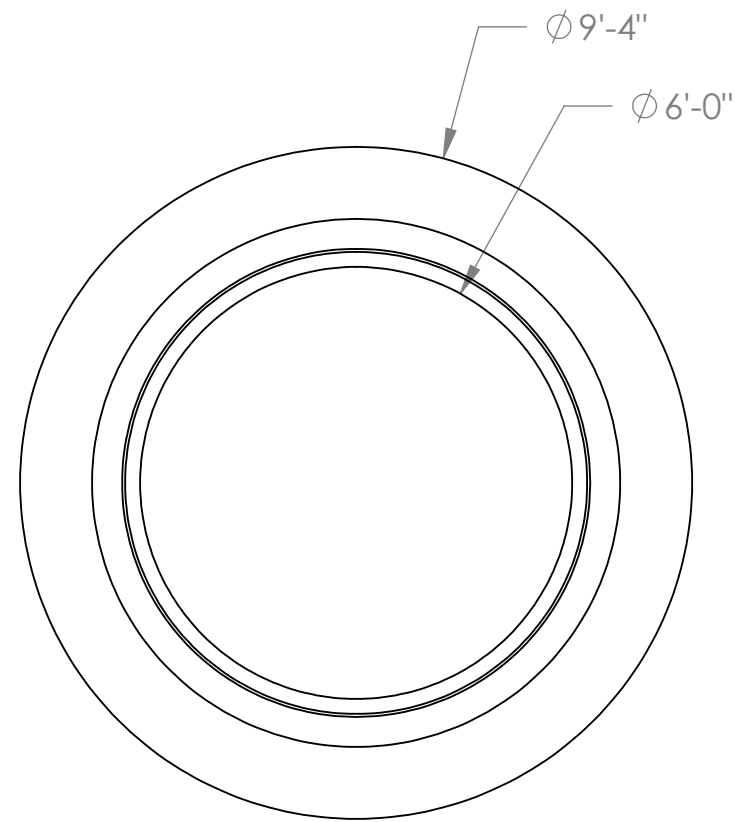
COASTAL PRECAST
of Florida

P.O. BOX 370
ESTERO, FL. 33928

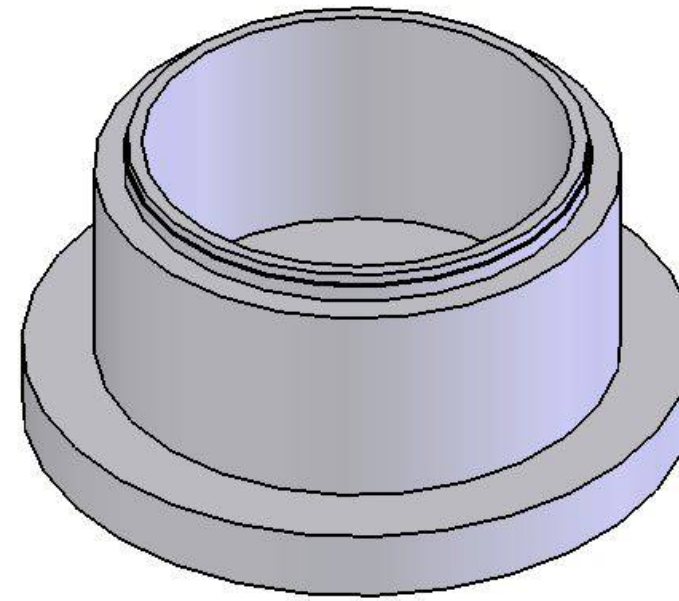
NOTES

CONCRETE SPECS
4,000 PSI @ 28 DAYS
TYPE II CEMENT
REF. ASTM-C 478

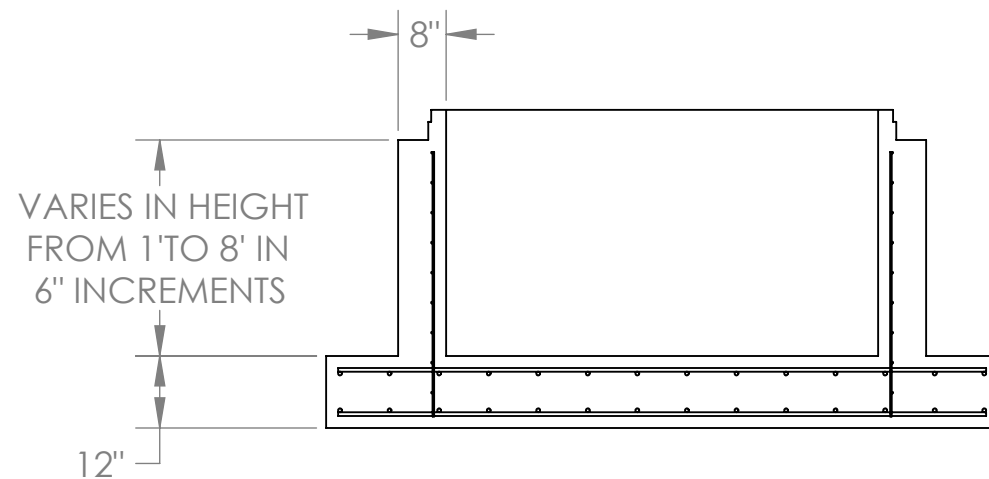
STANDARDS
8" WALL
12" BASE



PLAN



ISOMETRIC



SECTION

STR. HEIGHT	WEIGHT
1'-0"	12085 LBS.
1'-6"	13086 LBS.
2'-0"	14087 LBS.
2'-6"	15088 LBS.
3'-0"	16089 LBS.
3'-6"	17090 LBS.
4'-0"	18091 LBS.
4'-6"	19092 LBS.
5'-0"	20093 LBS.
5'-6"	21094 LBS.
6'-0"	22095 LBS.
6'-6"	23097 LBS.
7'-0"	24098 LBS.
7'-6"	25099 LBS.
8'-0"	26100 LBS.

6' DIA.
MANHOLE
ROUND BASE