

FOR ALL YOUR STORM & SANITARY NEEDS



PH: (239)482-7468

FX: (239)482-7469

COASTAL PRECAST
of Florida

P.O. BOX 370
ESTERO, FL. 33928

NOTES

CONCRETE SPECS

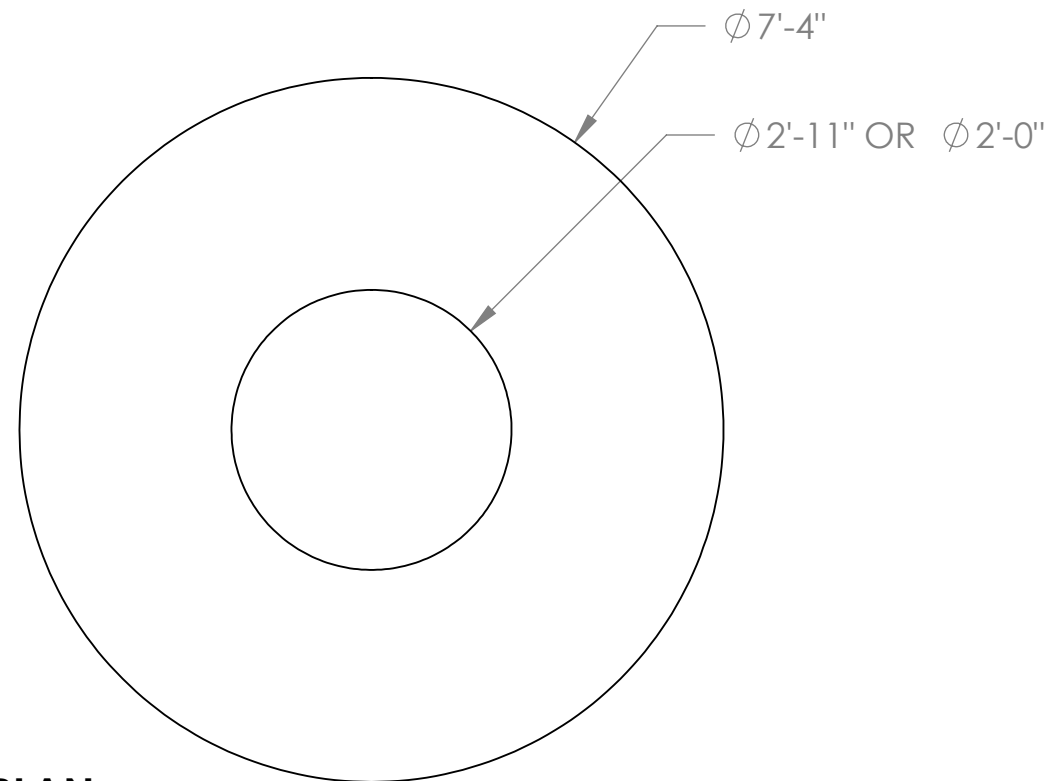
4,000 PSI @ 28 DAYS

TYPE II CEMENT

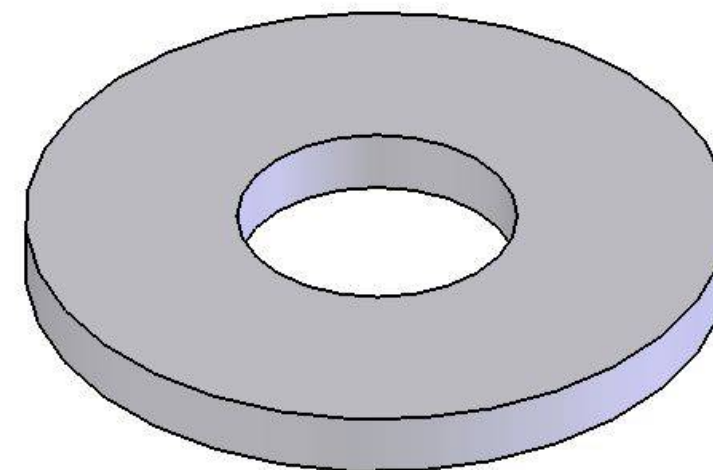
REINF. REF. ASTM-C 478

STANDARDS

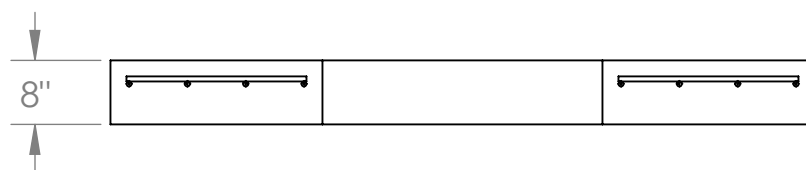
8" WALLS



PLAN



ISOMETRIC



SECTION

STR. HEIGHT	WEIGHT
8"	3398 LBS.

**6' DIA.
MANHOLE
8" FLAT TOP**