

FOR ALL YOUR STORM & SANITARY NEEDS



PH: (239)482-7468

FX: (239)482-7469

COASTAL PRECAST  
*of Florida*

P.O. BOX 370  
ESTERO, FL. 33928

## NOTES

### CONCRETE SPECS

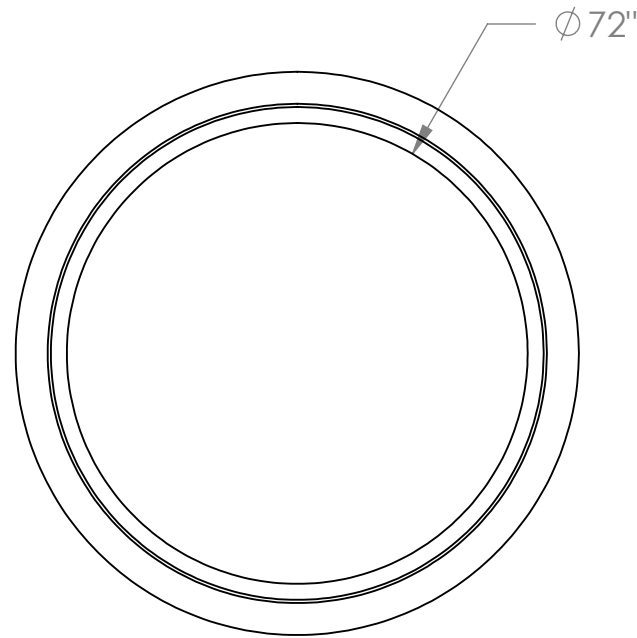
4,000 PSI @ 28 DAYS

TYPE II CEMENT

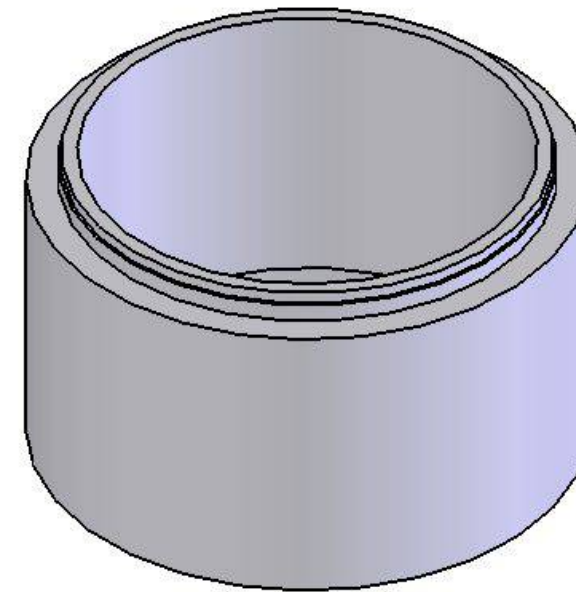
REINF. REF. ASTM-C 478

### STANDARDS

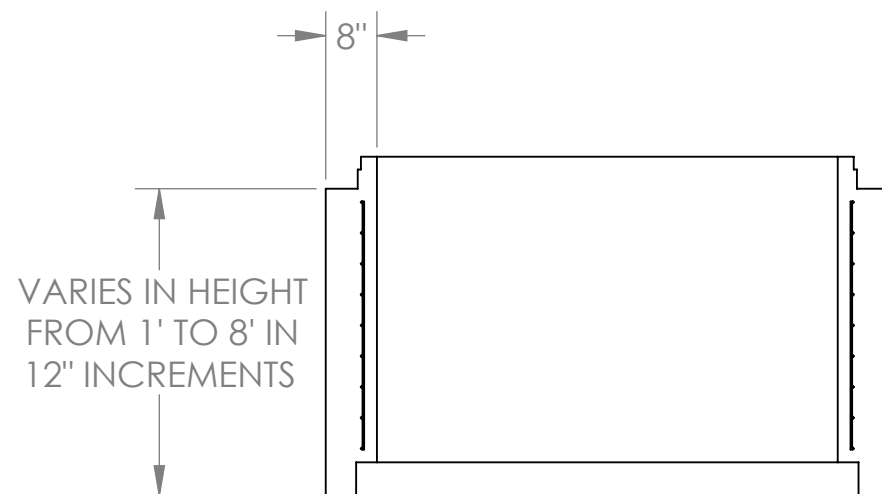
8" WALL



**PLAN**



**ISOMETRIC**



**SECTION**

STR. HEIGHT	WEIGHT
1'-0"	1940 LBS.
2'-0"	3942 LBS.
3'-0"	5944 LBS.
4'-0"	7946 LBS.
5'-0"	9948 LBS.
6'-0"	11950 LBS.
7'-0"	13953 LBS.
8'-0"	15955 LBS.

# 6' DIA. MANHOLE RISER