

FOR ALL YOUR STORM & SANITARY NEEDS



PH: (239)482-7468

FX: (239)482-7469

COASTAL PREGAST
of Florida

P.O. BOX 370
ESTERO, FL. 33928

NOTES

CONCRETE SPECS

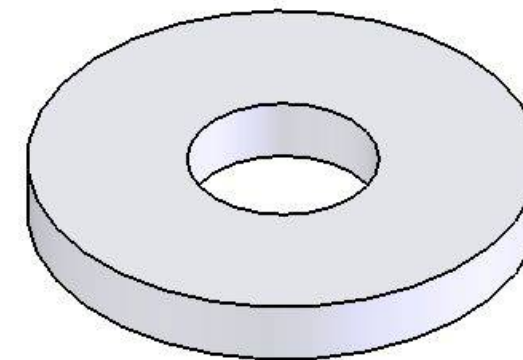
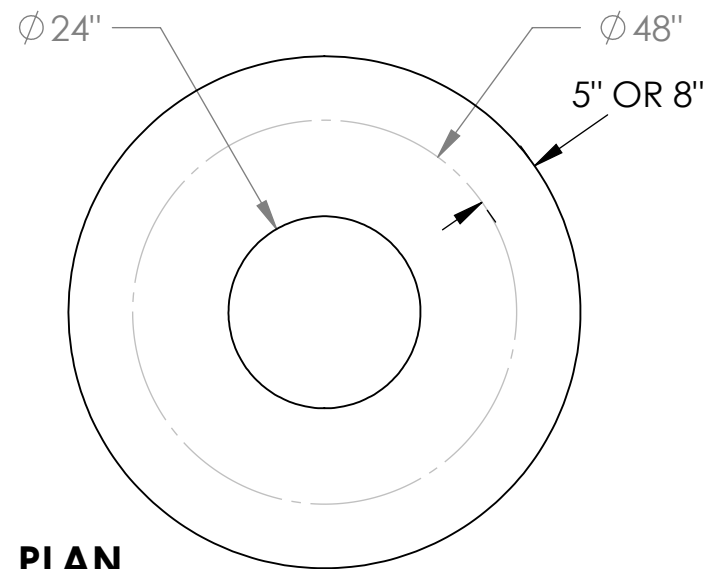
4,000 PSI @ 28 DAYS

TYPE II CEMENT

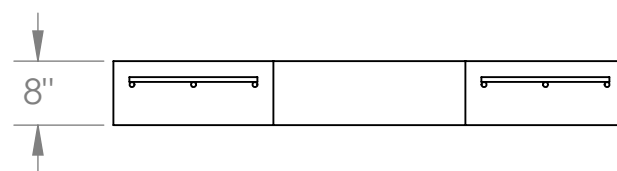
REF. ASTM-C 478

STANDARDS

5" OR 8" WALL



ISOMETRIC



SECTION

STR. HEIGHT	5" WALL FLAT TOP	8" WALL FLAT TOP
8"	1524 LBS.	1924 LBS.

**4' DIA.
MANHOLE
8" FLAT-TOP**