

FOR ALL YOUR STORM & SANITARY NEEDS



PH: (239) 482-7468

FX: (239) 482-7469

COASTAL PREGAST
of Florida

P.O. BOX 370
ESTERO, FL. 33928

NOTES

CONCRETE SPECS

4,000 PSI @ 28 DAYS

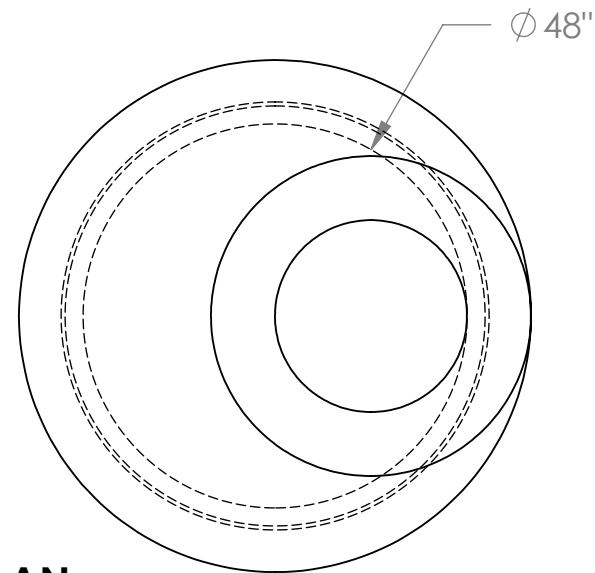
TYPE II CEMENT

REF. ASTM-C 478

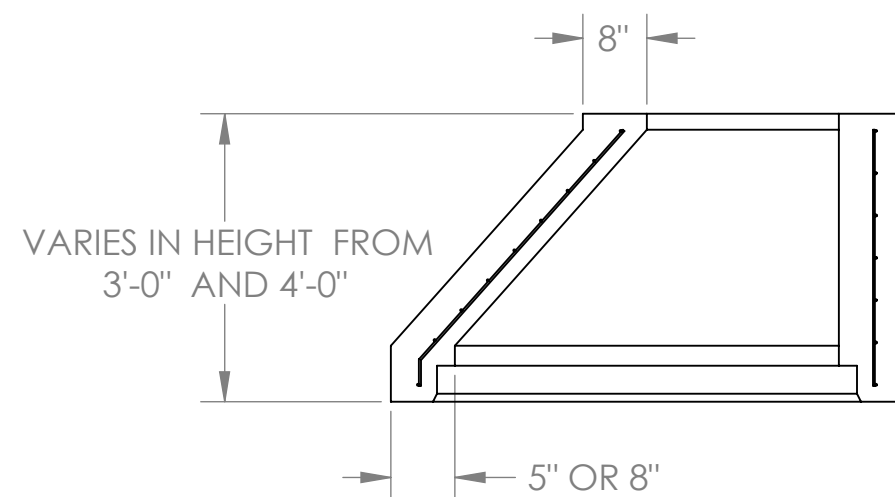
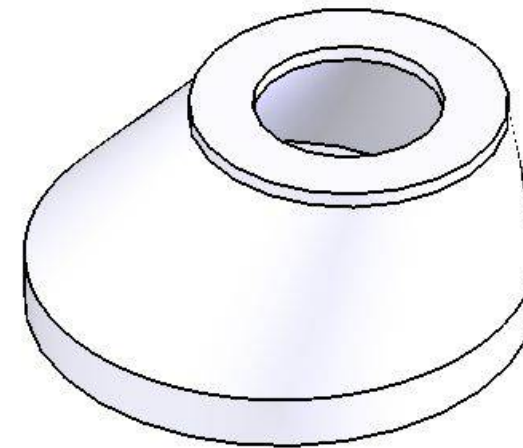
STANDARDS

5" OR 8" WALL

PLAN



ISOMETRIC



SECTION

STR. HEIGHT	WEIGHT 5" WALLS	WEIGHT 8" WALLS
3'-0"	2504 LBS.	3452 LBS.
4'-0"	3392 LBS.	4606 LBS.

**4' DIA.
MANHOLE
ECCENTRIC CONE**