

FOR ALL YOUR STORM & SANITARY NEEDS



PH: (239)482-7468
 FX: (239)482-7469

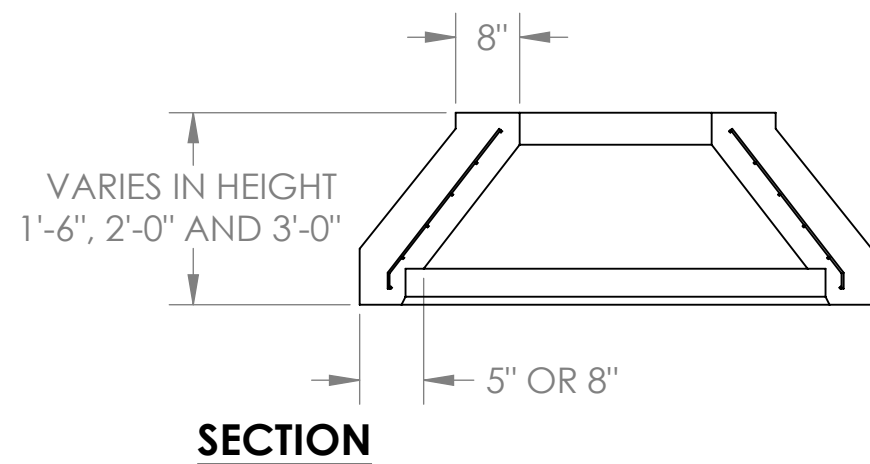
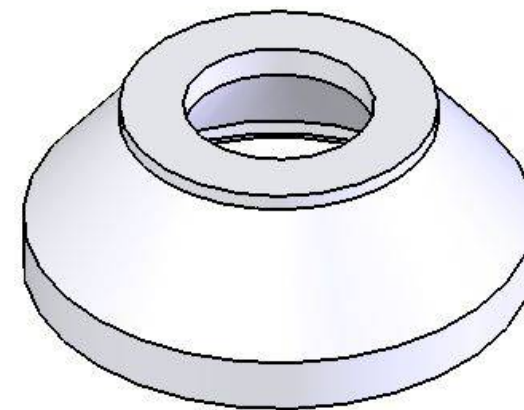
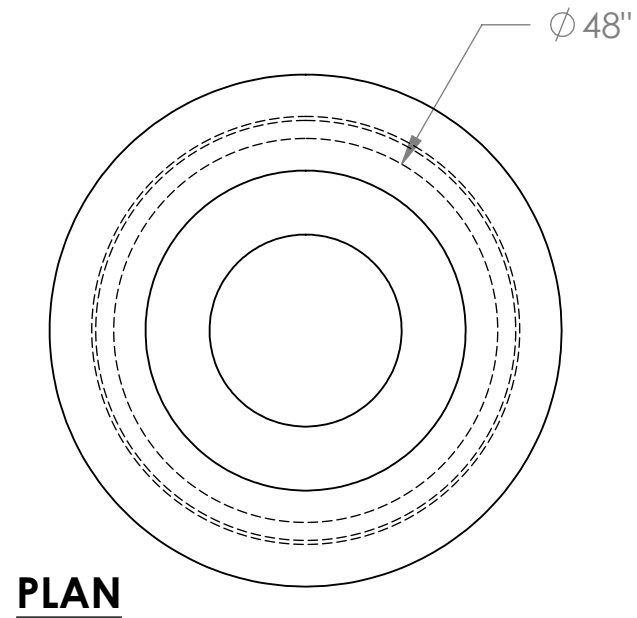
COASTAL PREGAST
of Florida

P.O. BOX 370
 ESTERO, FL. 33928

NOTES

CONCRETE SPECS
 4,000 PSI @ 28 DAYS
 TYPE II CEMENT
 REF. ASTM-C 478

STANDARDS
 5" OR 8" WALL



STR. HEIGHT	WEIGHT 5" WALLS	WEIGHT 8" WALLS
1'-6"	1439 LBS.	1989 LBS.
2'-0"	1884 LBS.	2566 LBS.
3'-0"	-	3720 LBS.

**4' DIA.
 MANHOLE
 CONCENTRIC CONE**