

FOR ALL YOUR STORM & SANITARY NEEDS



PH: (239)482-7468  
FX: (239)482-7469

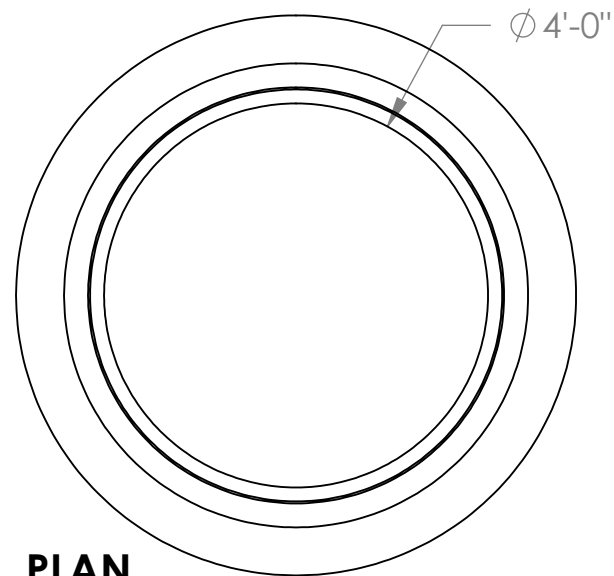
COASTAL PRECAST  
of Florida

P.O. BOX 370  
ESTERO, FL. 33928

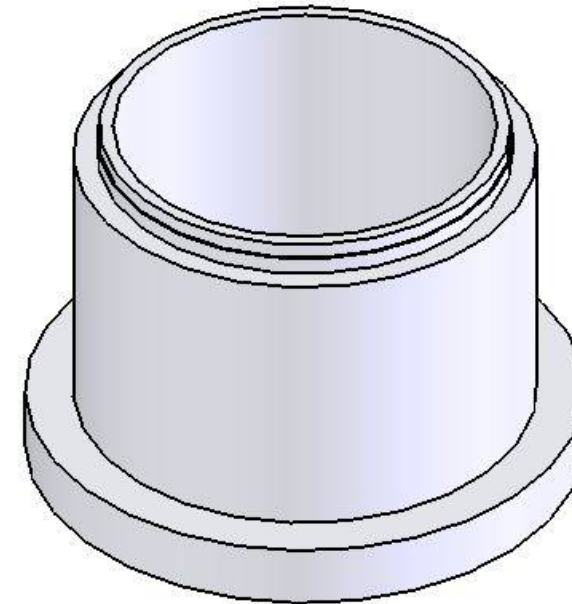
## NOTES

**CONCRETE SPECS**  
4,000 PSI @ 28 DAYS  
TYPE II CEMENT  
REF. ASTM-C 478

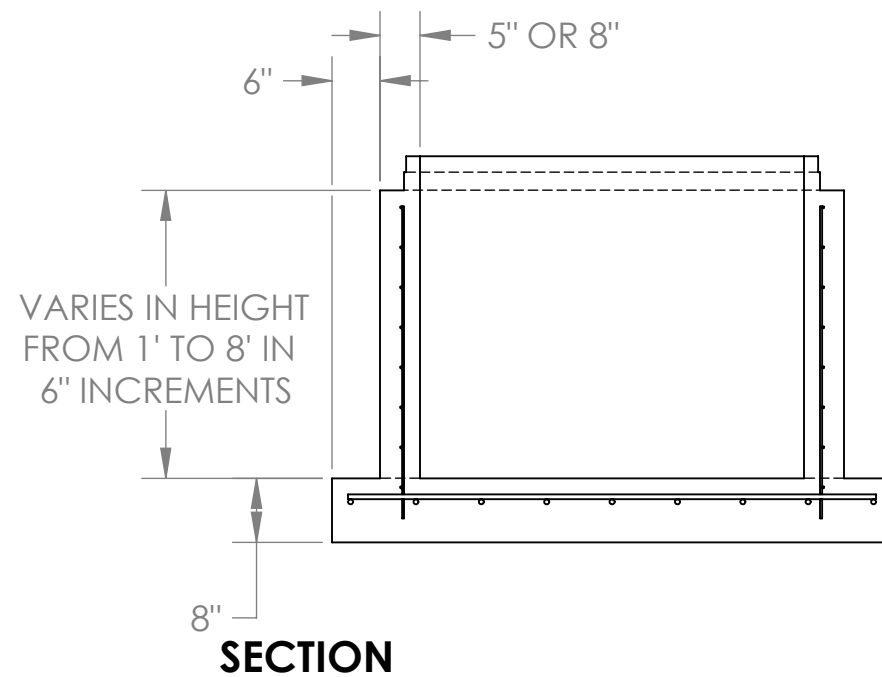
**STANDARDS**  
5" OR 8" WALL  
8" BASE



**PLAN**



**ISOMETRIC**



**SECTION**

STR. HEIGHT	WEIGHT (5" WALLS)	WEIGHT (8" WALLS)
1'-0"	3657 LBS.	4736 LBS.
1'-6"	4091 LBS.	5471 LBS.
2'-0"	4526 LBS.	6205 LBS.
2'-6"	4960 LBS.	6940 LBS.
3'-0"	5395 LBS.	7675 LBS.
3'-6"	5830 LBS.	8409 LBS.
4'-0"	6264 LBS.	9144 LBS.
4'-6"	-	9879 LBS.
5'-0"	-	10613 LBS.
5'-6"	-	11348 LBS.
6'-0"	-	12083 LBS.
6'-6"	-	12817 LBS.
7'-0"	-	13552 LBS.
7'-6"	-	14287 LBS.
8'-0"	-	15021 LBS.

**4' DIA.  
MANHOLE BASE**