

FOR ALL YOUR STORM & SANITARY NEEDS



PH: (239)482-7468

FX: (239)482-7469

COASTAL PRECAST
of Florida

P.O. BOX 370
ESTERO, FL. 33928

NOTES

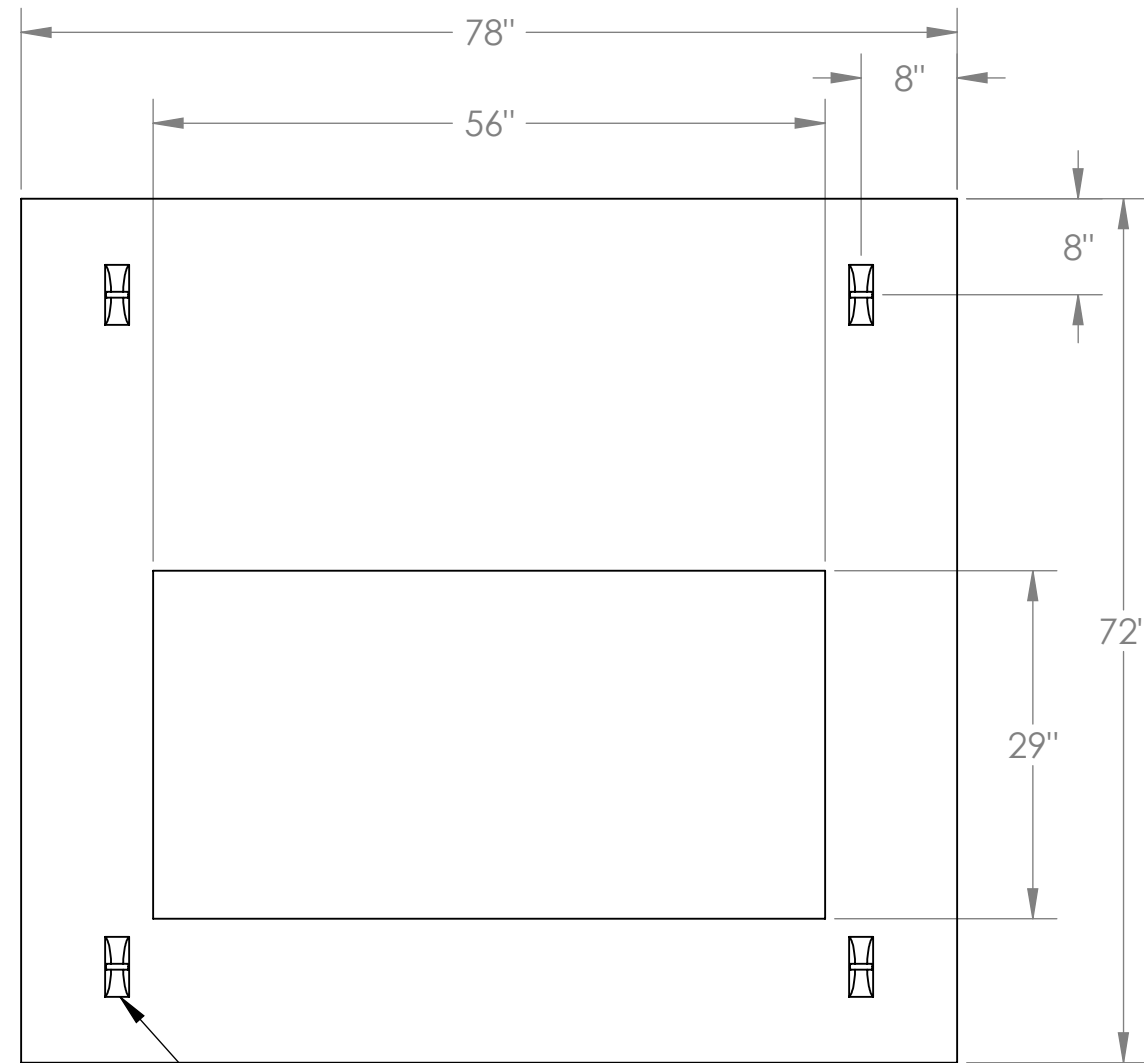
CONCRETE SPECS

4,000 PSI @ 28 DAYS

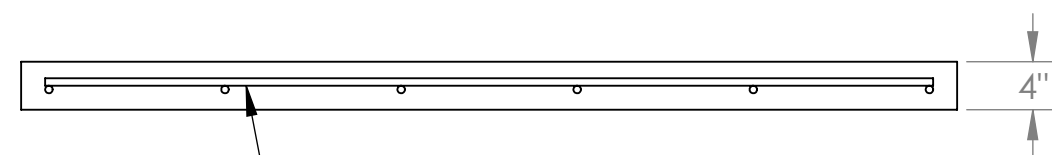
TYPE II CEMENT

STANDARDS

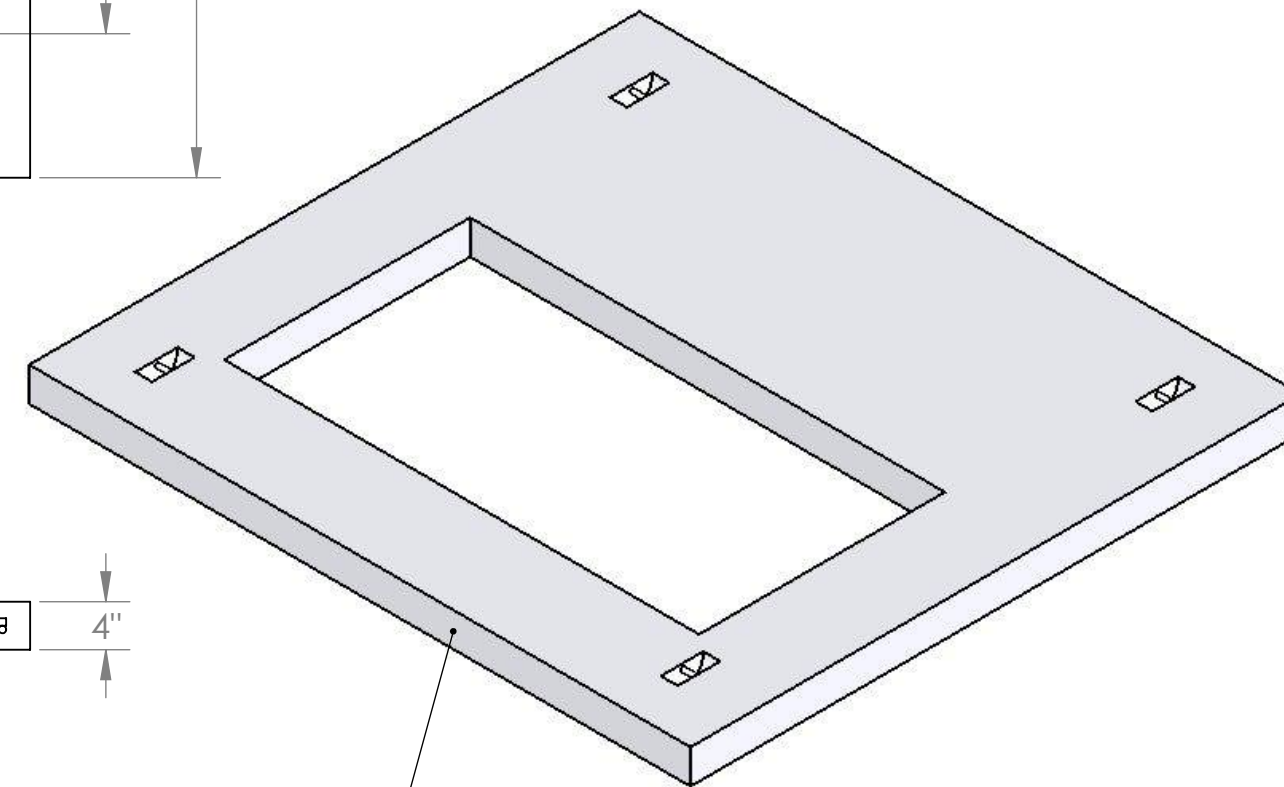
EDGED AND BRUSHED FINISH



LIFTING
POINTS



#4 REBAR
12" OCEW



WEIGHT= 1321 LBS.

72" X 78" ELECTRIC PAD