

FOR ALL YOUR STORM & SANITARY NEEDS



PH: (239)482-7468

FX: (239)482-7469

COASTAL PRECAST
of Florida

P.O. BOX 370
ESTERO, FL. 33928

NOTES

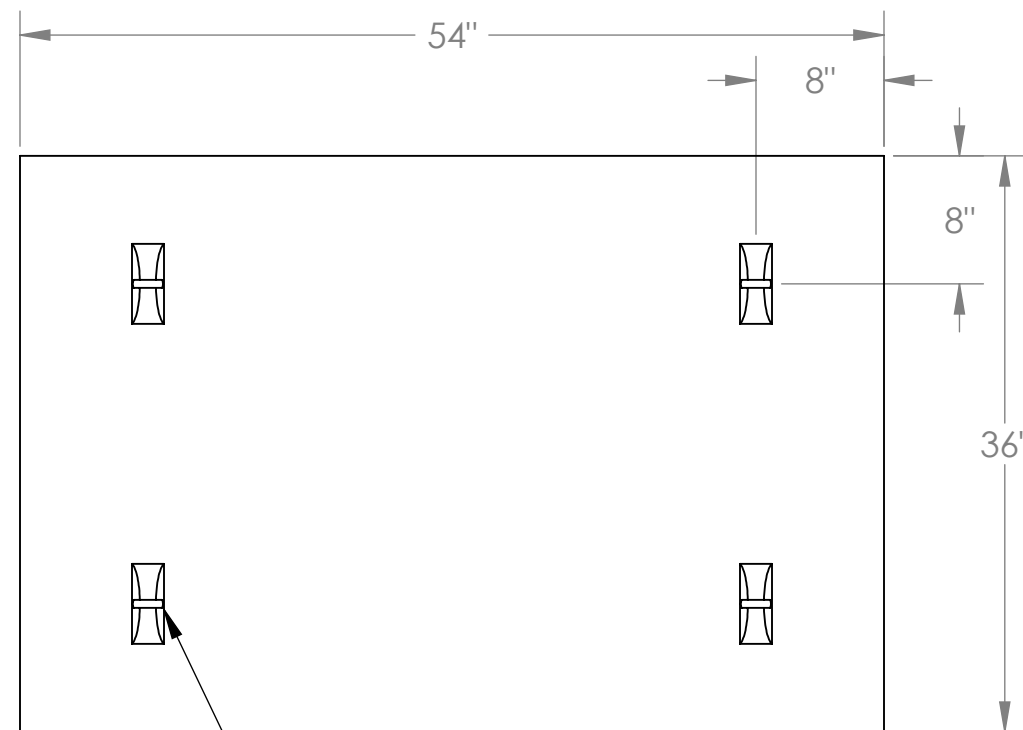
CONCRETE SPECS

4,000 PSI @ 28 DAYS

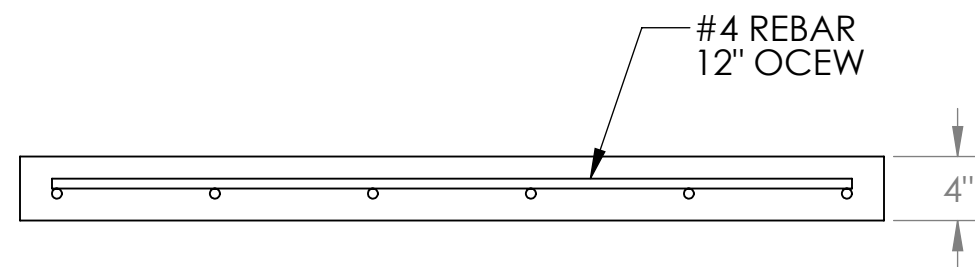
TYPE II CEMENT

STANDARDS

EDGED AND BRUSHED FINISH

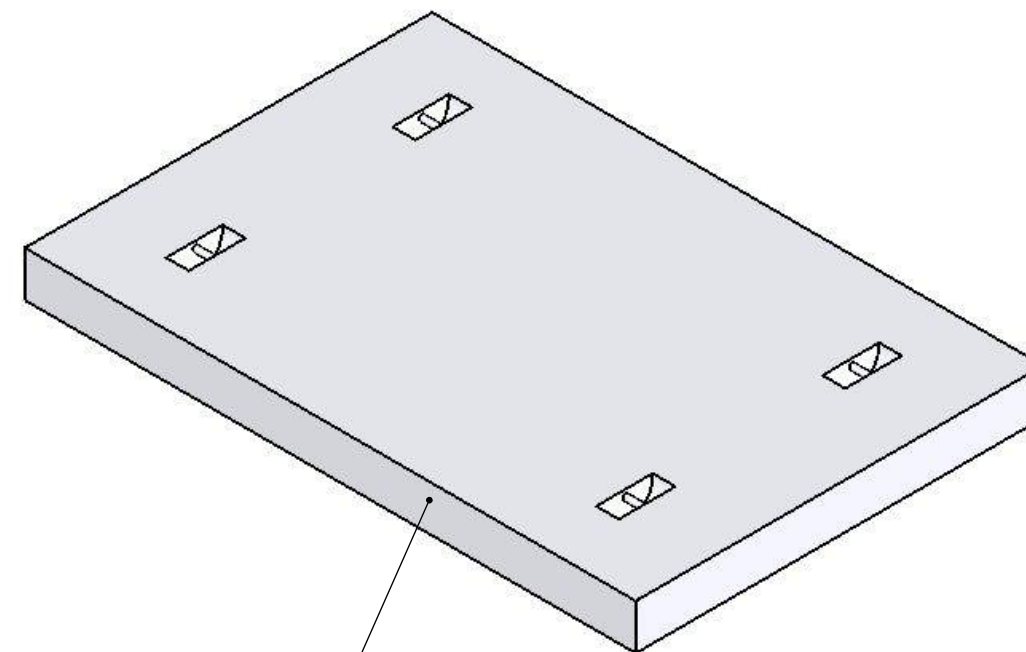


LIFTING
POINTS



#4 REBAR
12" OCEW

4"



WEIGHT= 641 LBS.

36" X 54" ELECTRIC PAD