

FOR ALL YOUR STORM & SANITARY NEEDS



PH: (239)482-7468

FX: (239)482-7469

P.O. BOX 370  
ESTERO, FL. 33928

## NOTES

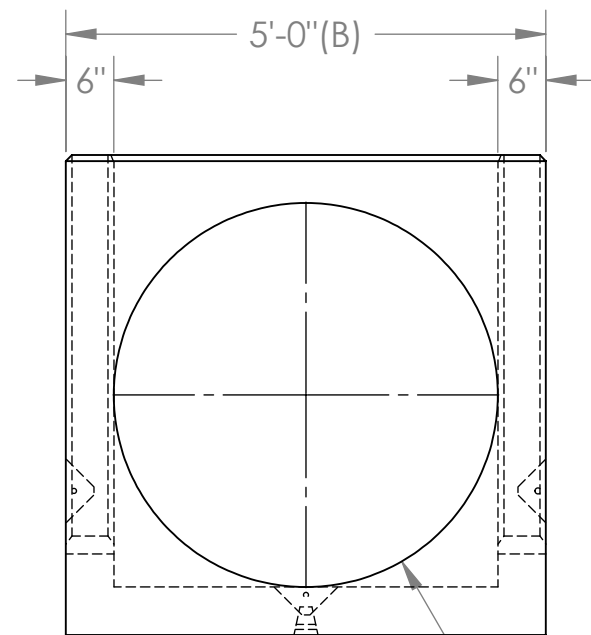
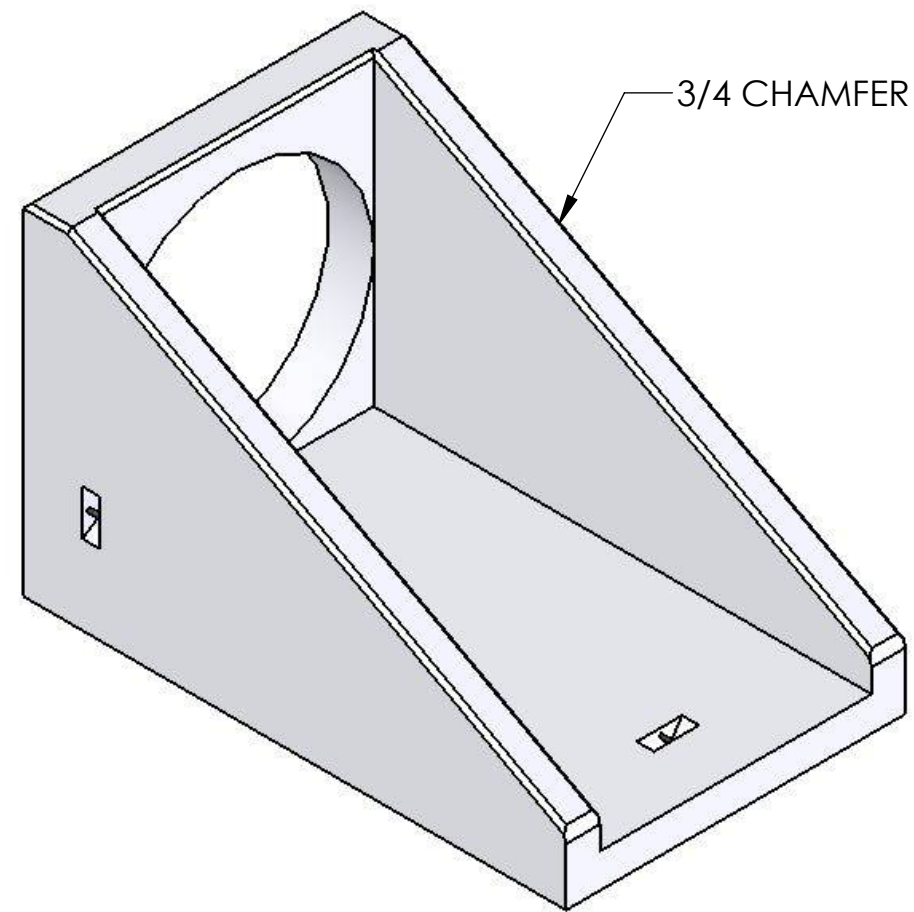
### CONCRETE SPECS

4,000 PSI @ 28 DAYS

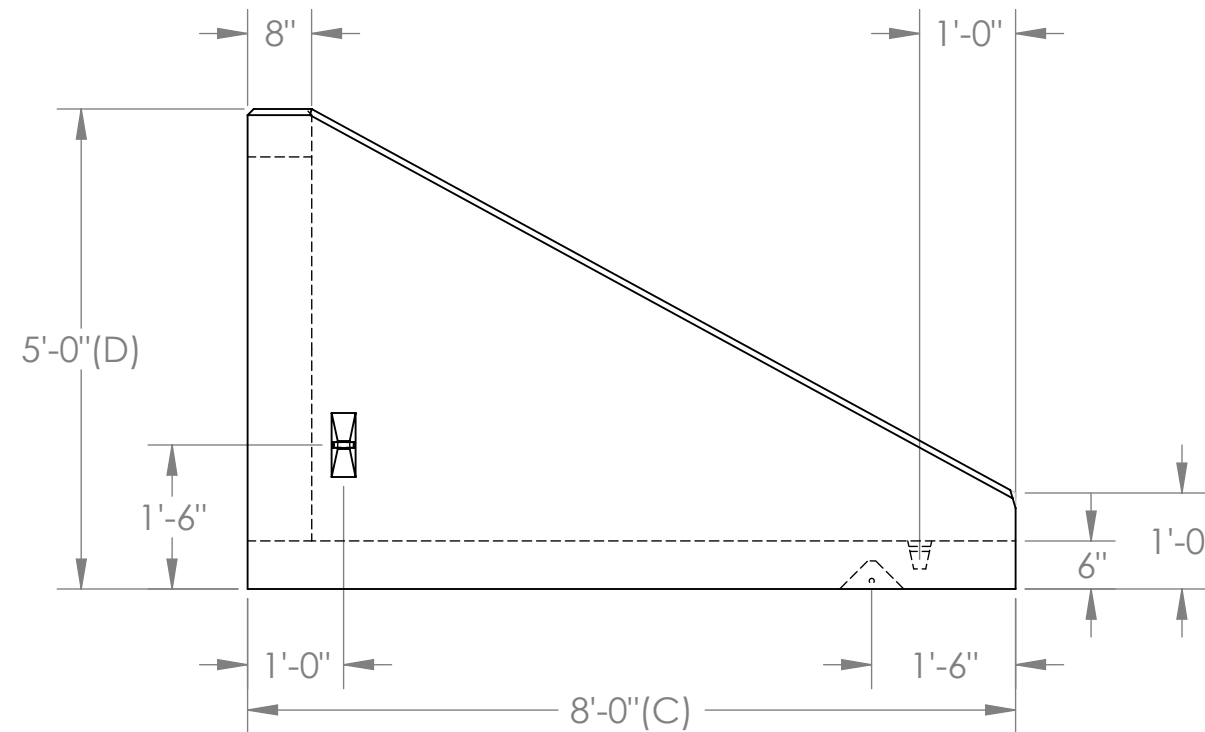
TYPE II CEMENT

### STANDARDS

#4 REBAR SPACED 8" O.C.



Ø 48" (A)



PIPE SIZE	A	B	C	D	WEIGHT
36"	48"	5'-0"	8'-0"	5'-0"	6446 LBS.

**36"**  
**NON FDOT U-ENDWALL**