

FOR ALL YOUR STORM & SANITARY NEEDS



PH: (239)482-7468
 FX: (239)482-7469

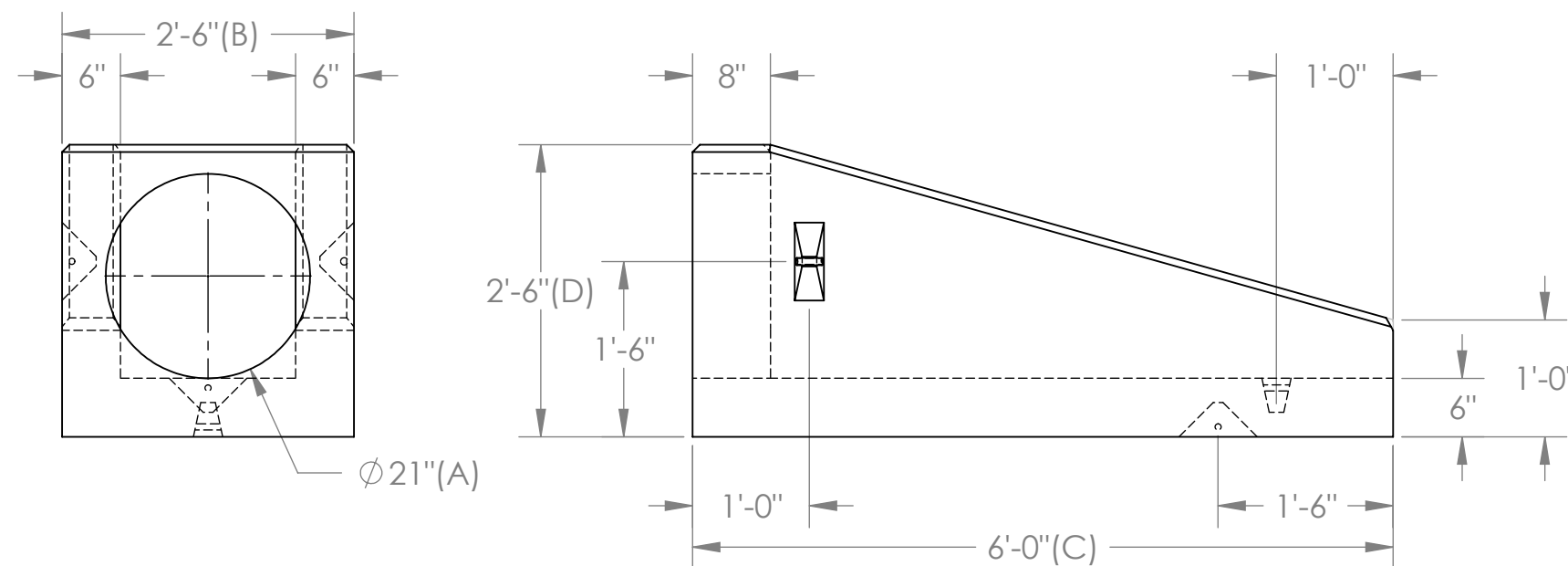
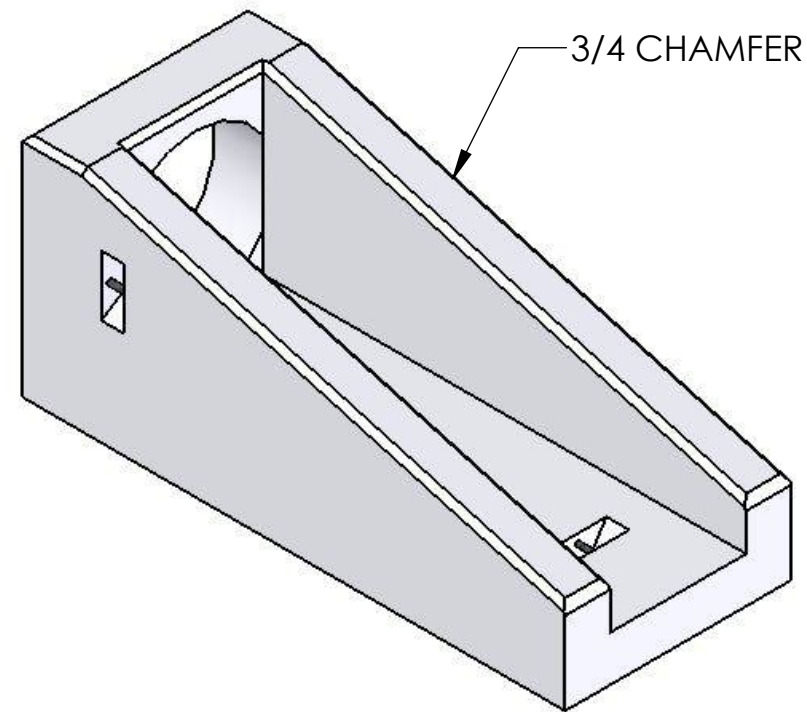
COASTAL PRECAST
of Florida

P.O. BOX 370
 ESTERO, FL. 33928

NOTES

CONCRETE SPECS
 4,000 PSI @ 28 DAYS
 TYPE II CEMENT

STANDARDS
 #4 REBAR SPACED 8" O.C.



12" NON FDOT U-ENDWALL

| PIPE SIZE | A | B | C | D | WEIGHT |
|-----------|-----|-------|-------|-------|-----------|
| 12" | 21" | 2'-6" | 6'-0" | 2'-6" | 2279 LBS. |