

FOR ALL YOUR STORM & SANITARY NEEDS



PH: (239) 482-7468

FX: (239) 482-7469

COASTAL PRECAST
of Florida

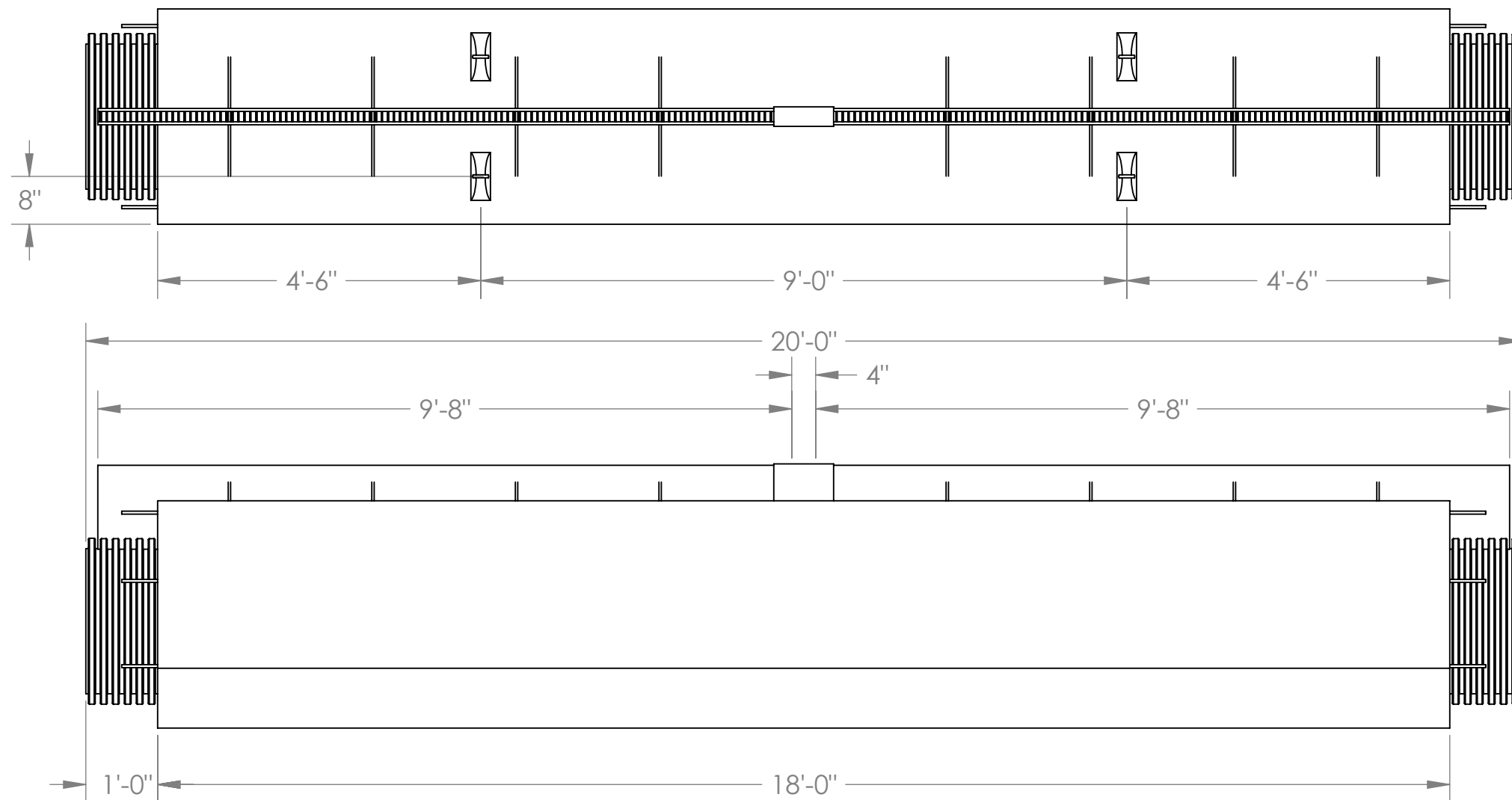
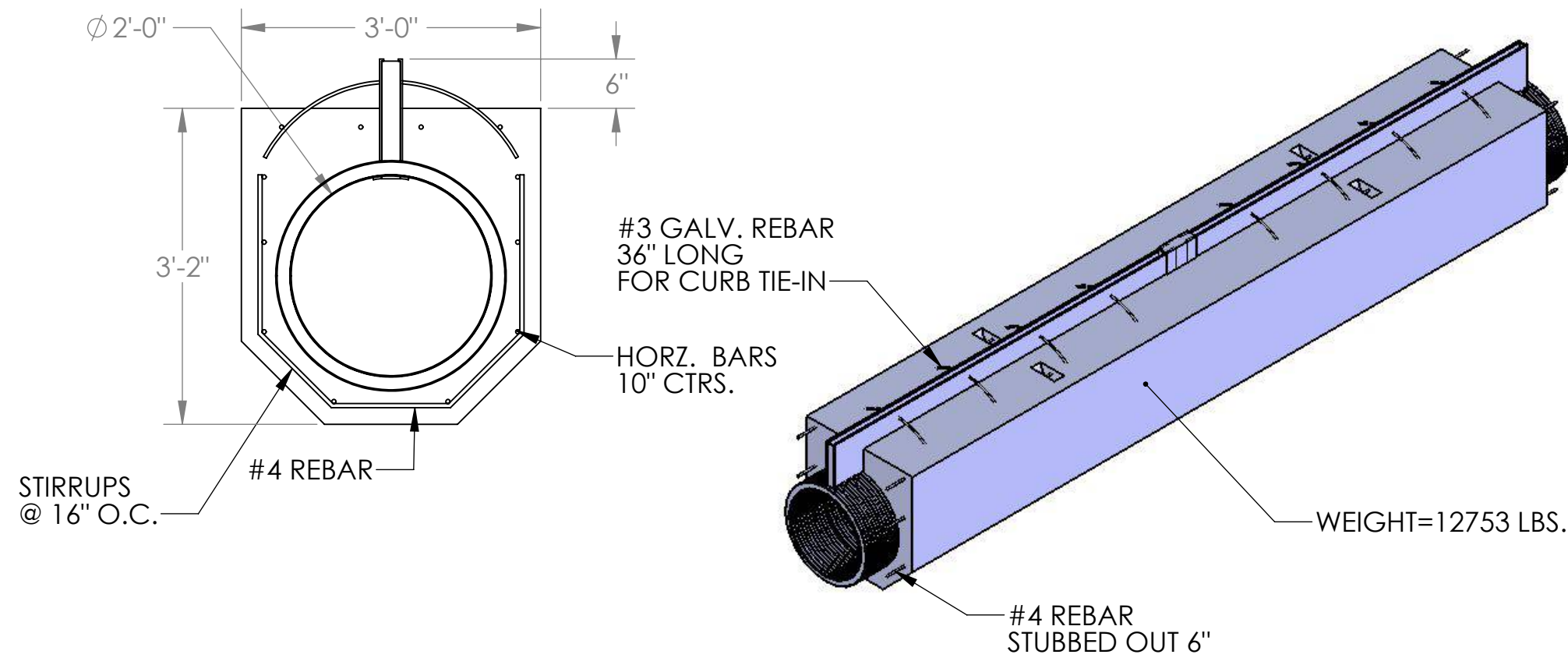
P.O. BOX 370
ESTERO, FL. 33928

NOTES

CONCRETE SPECS

4,000 PSI @ 28 DAYS

TYPE II CEMENT



**20'-0" X 38"
SURFACE DRAIN**