

FOR ALL YOUR STORM & SANITARY NEEDS

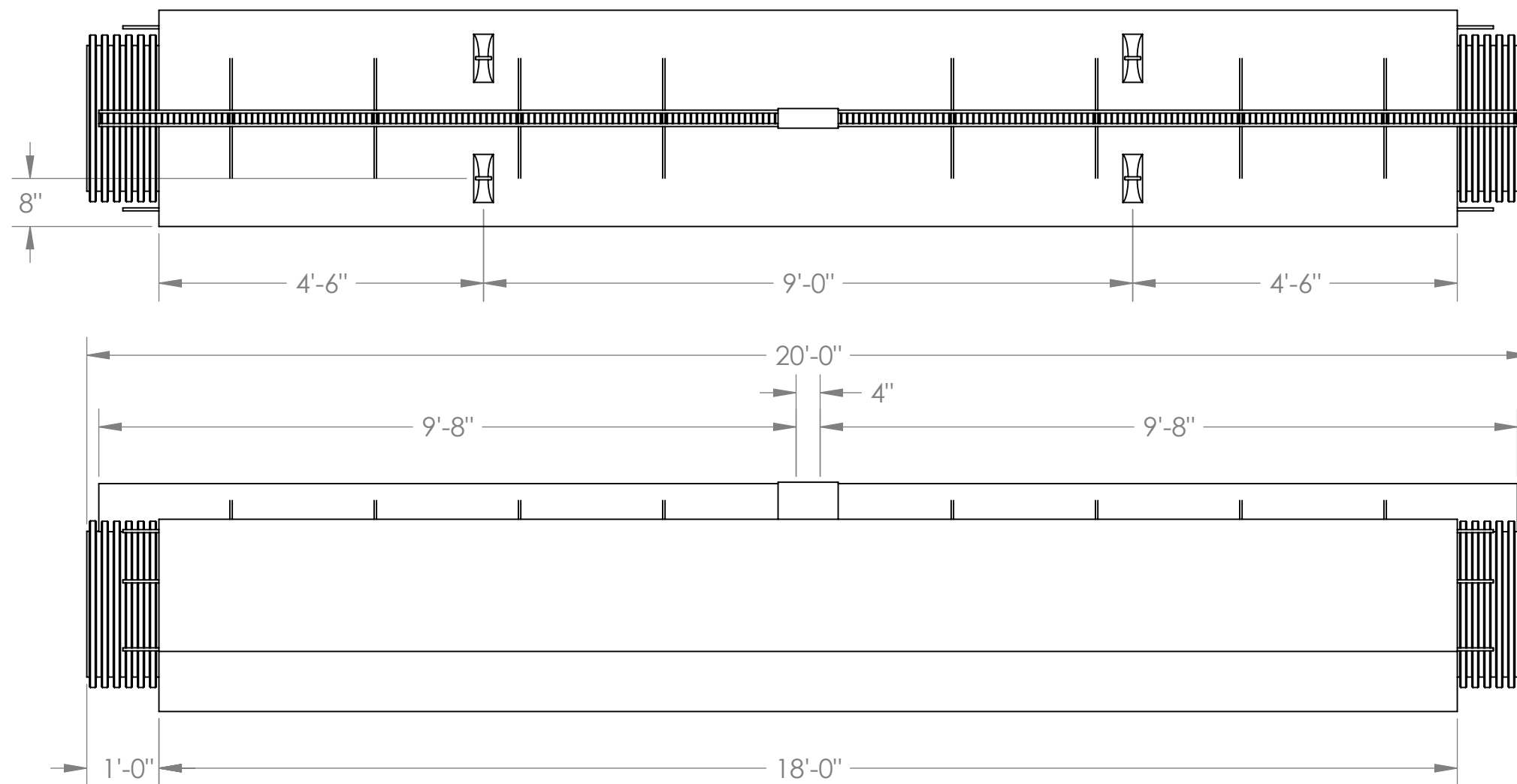
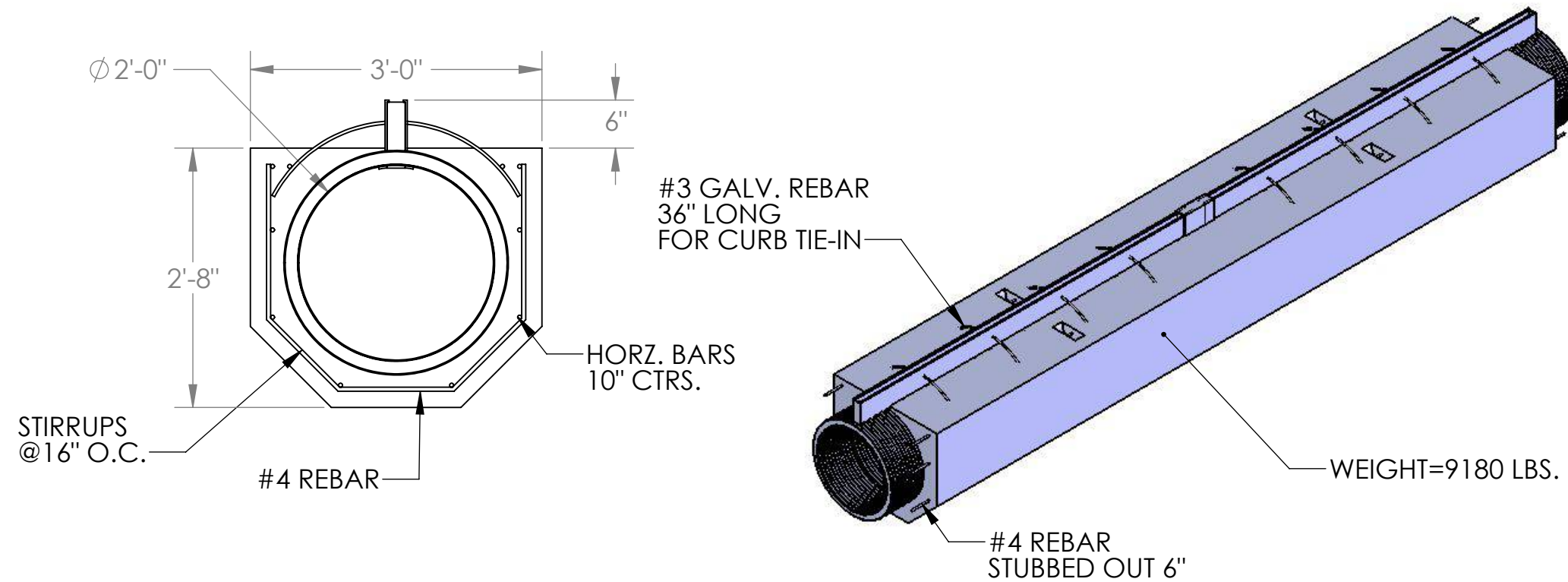


PH: (239)482-7468  
FX: (239)482-7469

P.O. BOX 370  
ESTERO, FL. 33928

### NOTES

**CONCRETE SPECS**  
4,000 PSI @ 28 DAYS  
TYPE II CEMENT



**20'-0" X 32"  
SURFACE DRAIN**