

FOR ALL YOUR STORM & SANITARY NEEDS



PH: (239)482-7468
FX: (239)482-7469

P.O. BOX 370
ESTERO, FL. 33928

NOTES

CONCRETE SPECS

4,000 PSI @ 28 DAYS
TYPE II CEMENT
REF. FDOT INDEX 211

FRAME & GRATE

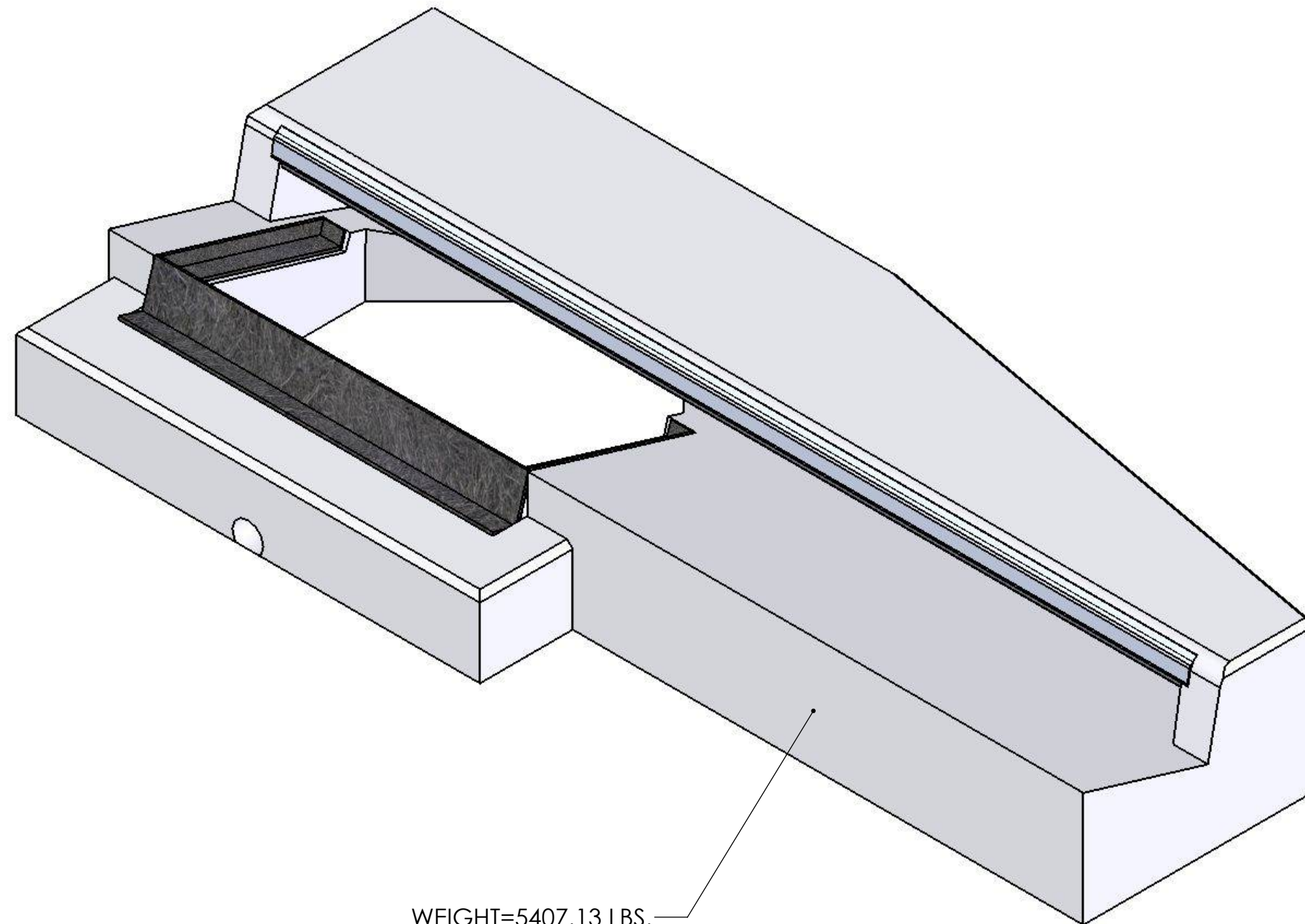
U.S.F. 5160-6310

STANDARDS

REINF. W12.3 X W15.3 WIRE MESH
#4 REBAR SPACED 6" O.C.

STEEL REINF. FACE PLATE
SHEET 1 OF 3

**MOD FDOT
TYPE 5 RIGHT
CURB INLET TOP**



WEIGHT=5407.13 LBS.

FOR ALL YOUR STORM & SANITARY NEEDS



PH: (239)482-7468
FX: (239)482-7469

P.O. BOX 370
ESTERO, FL. 33928

NOTES

CONCRETE SPECS

4,000 PSI @ 28 DAYS
TYPE II CEMENT
REF. FDOT INDEX 211

FRAME & GRATE

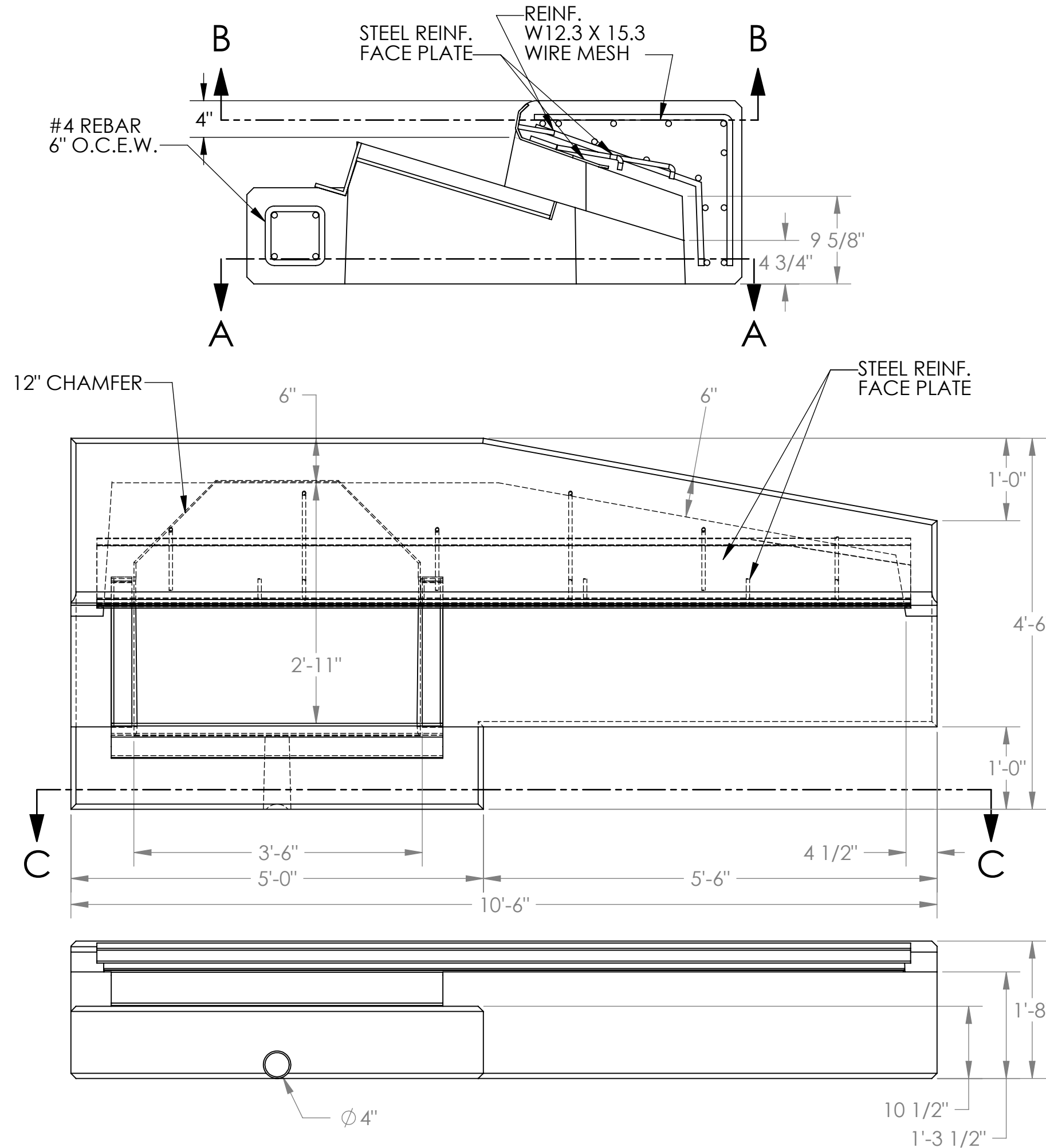
U.S.F. 5160-6310

STANDARDS

REINF. W12.3 X W15.3 WIRE MESH
#4 REBAR SPACED 6" O.C.

STEEL REINF. FACE PLATE
SHEET 2 OF 3

MOD FDOT TYPE 5 RIGHT CURB INLET TOP



FOR ALL YOUR STORM & SANITARY NEEDS



PH: (239)482-7468

FX: (239)482-7469

P.O. BOX 370
ESTERO, FL. 33928

NOTES

CONCRETE SPECS

4,000 PSI @ 28 DAYS

TYPE II CEMENT

REF. FDOT INDEX 211

FRAME & GRATE

U.S.F. 5160-6310

STANDARDS

REINF. W12.3 X W15.3 WIRE MESH

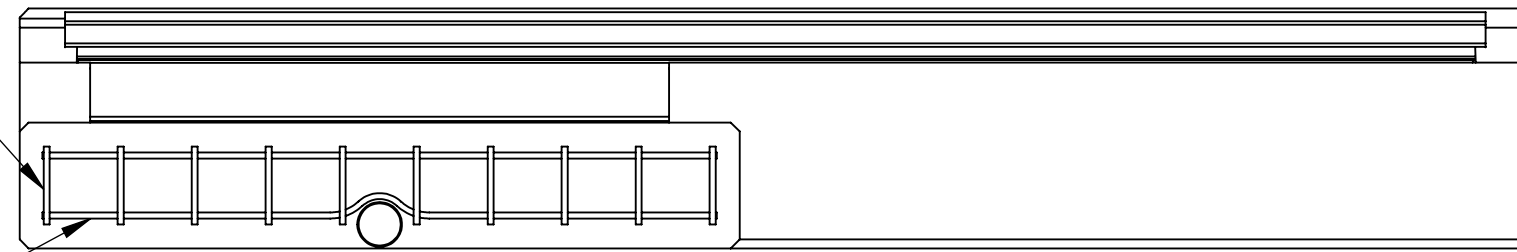
#4 REBAR SPACED 6" O.C.

STEEL REINF. FACE PLATE

SHEET 3 OF 3

MOD FDOT TYPE 5 RIGHT CURB INLET TOP

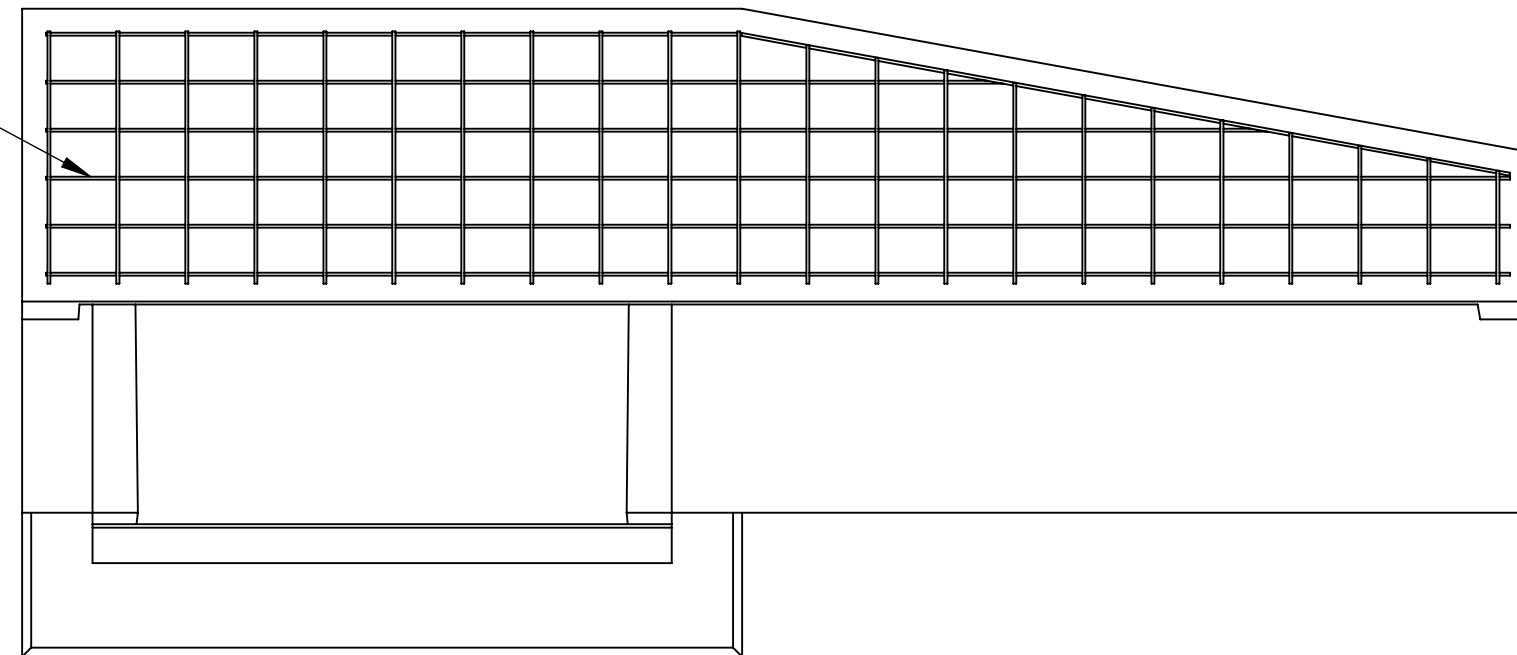
#4 REBAR
6" STIRRUPS



SECTION C

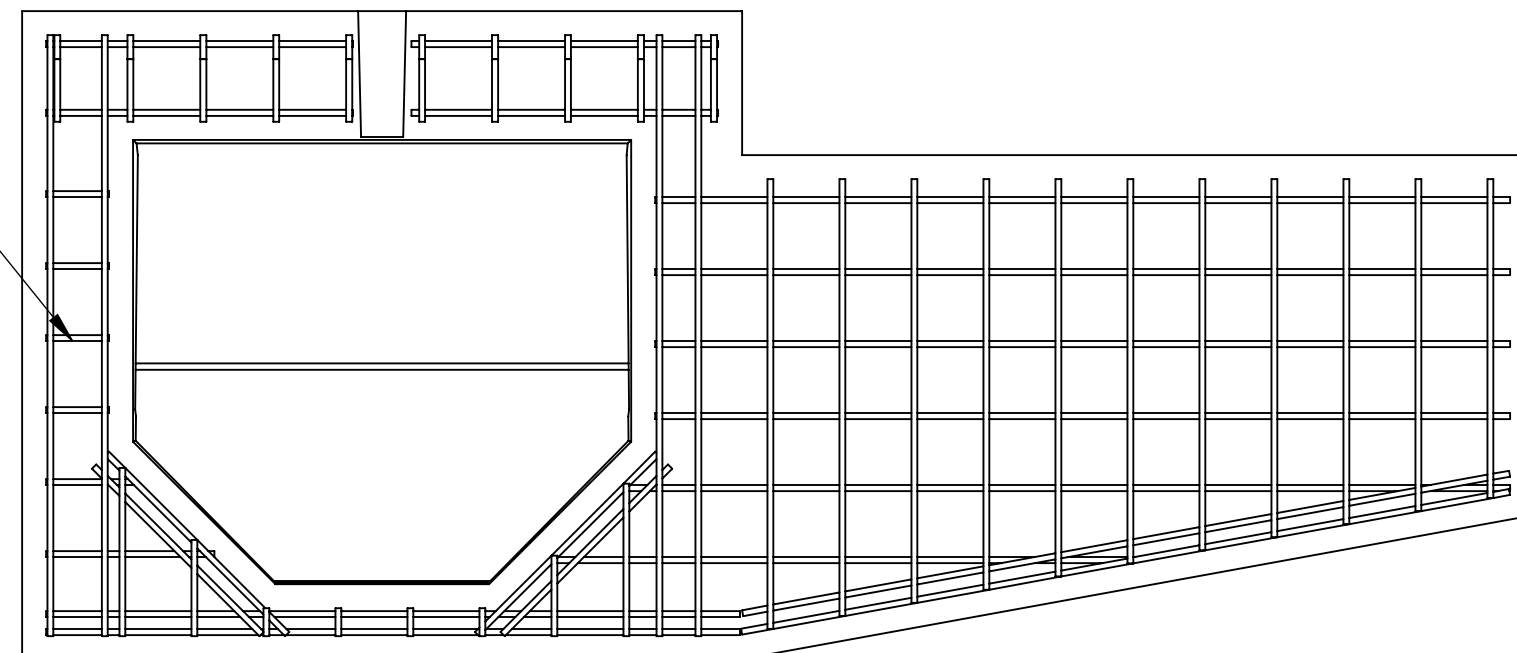
#5 REBAR

W12.3 X 15.3
WIRE MESH



SECTION B

#4 REBAR
6" O.C.E.W.



SECTION A