

FOR ALL YOUR STORM & SANITARY NEEDS



PH: (239)482-7468
FX: (239)482-7469

P.O. BOX 370
ESTERO, FL. 33928

NOTES

CONCRETE SPECS

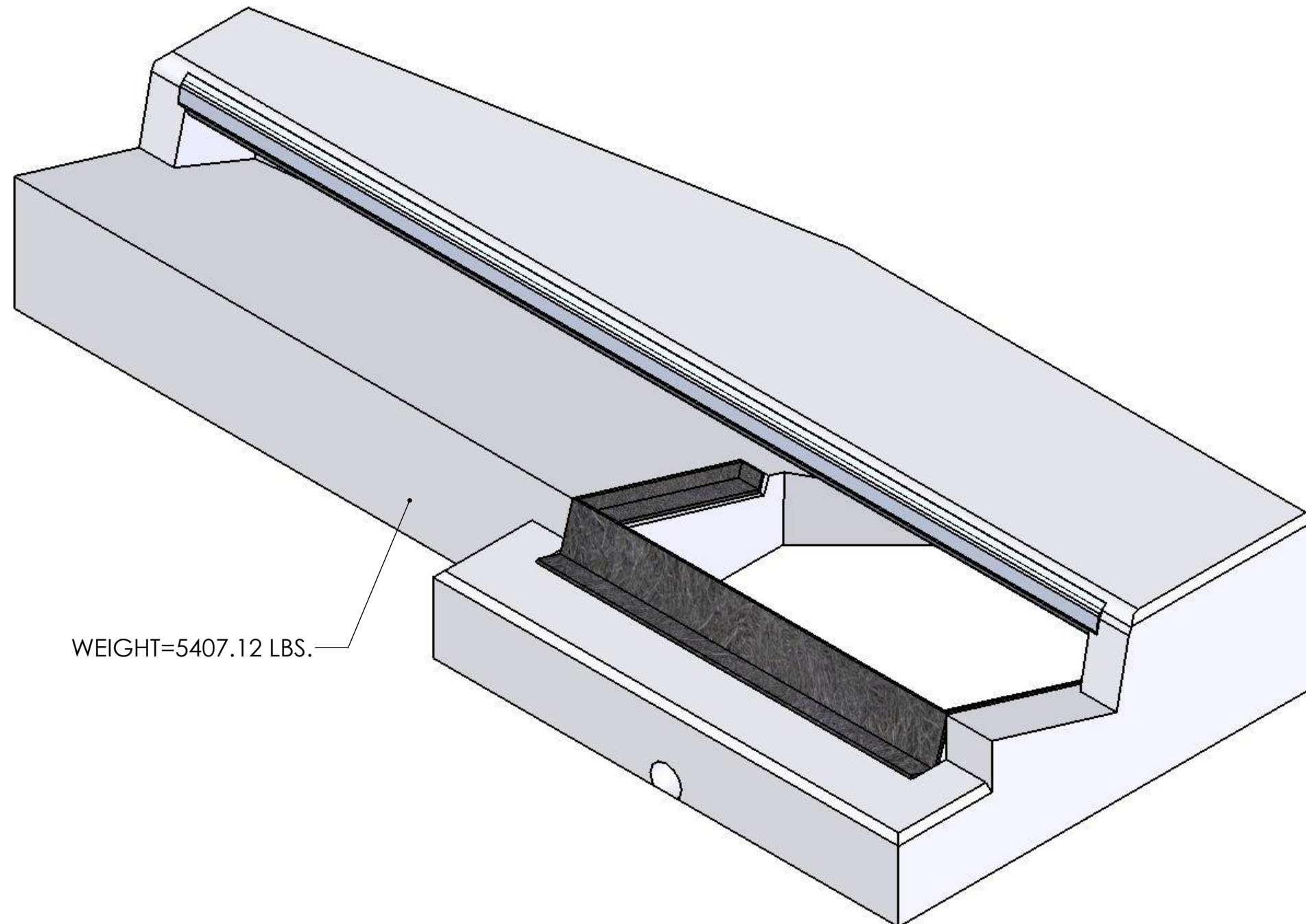
4,000 PSI @ 28 DAYS
TYPE II CEMENT
REF. FDOT INDEX 211

FRAME & GRATE

U.S.F. 5160-6310

STANDARDS

REINF. W12.3 X W15.3 WIRE MESH
#4 REBAR SPACED 6" O.C.



WEIGHT=5407.12 LBS.

STEEL REINF. FACE PLATE
SHEET 1 OF 3

**MOD FDOT
TYPE 5 LEFT
CURB INLET TOP**

FOR ALL YOUR STORM & SANITARY NEEDS



PH: (239)482-7468
FX: (239)482-7469

P.O. BOX 370
ESTERO, FL. 33928

NOTES

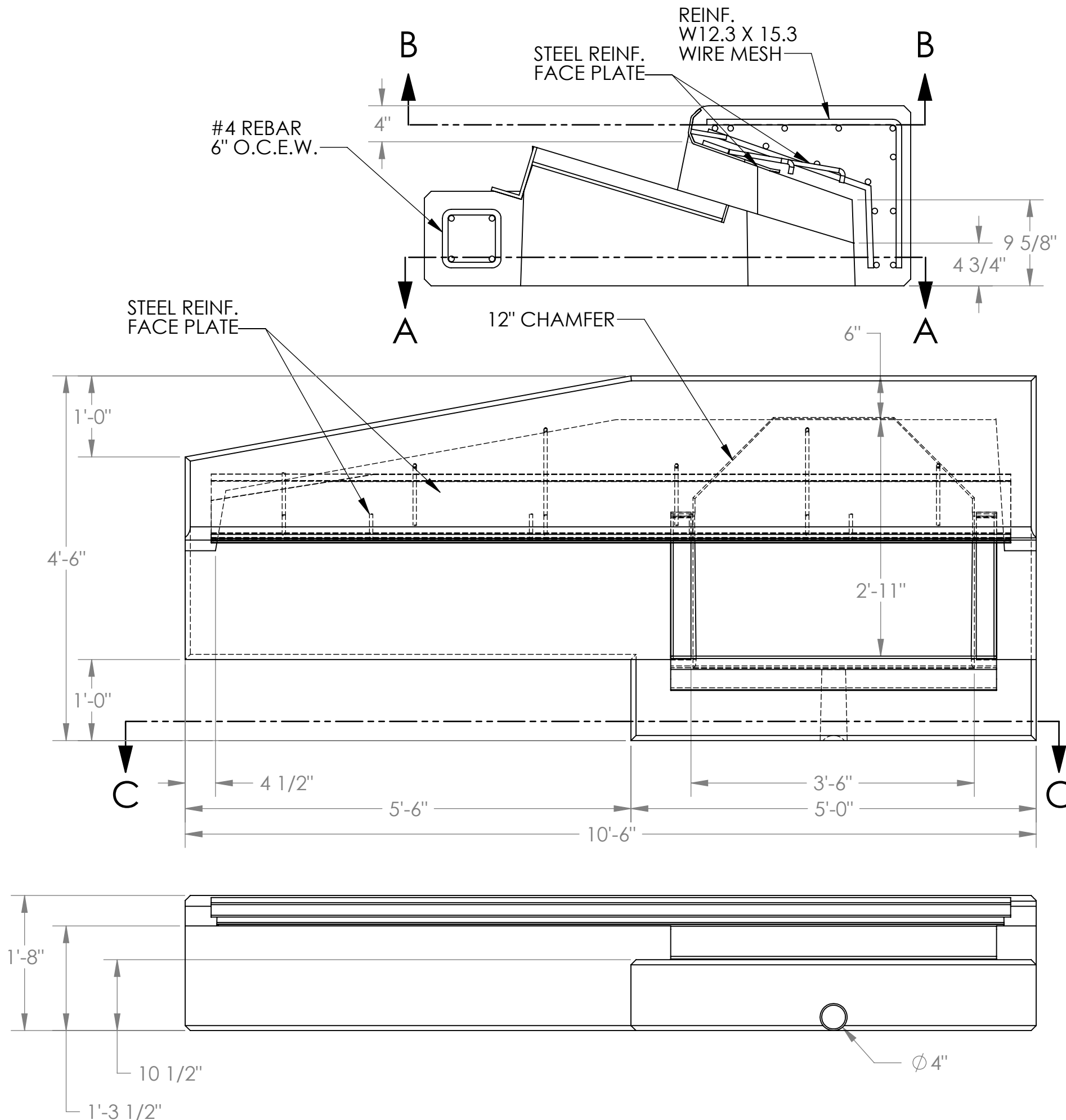
CONCRETE SPECS
4,000 PSI @ 28 DAYS
TYPE II CEMENT
REF. FDOT INDEX 211

FRAME & GRATE
U.S.F. 5160-6310

STANDARDS
REINF. W12.3 X W15.3 WIRE MESH
#4 REBAR SPACED 6" O.C.

STEEL REINF. FACE PLATE
SHEET 2 OF 3

MOD FDOT TYPE 5 LEFT CURB INLET TOP



FOR ALL YOUR STORM & SANITARY NEEDS



PH: (239)482-7468

FX: (239)482-7469

P.O. BOX 370
ESTERO, FL. 33928

NOTES

CONCRETE SPECS

4,000 PSI @ 28 DAYS

TYPE II CEMENT

REF. FDOT INDEX 211

FRAME & GRATE

U.S.F. 5160-6310

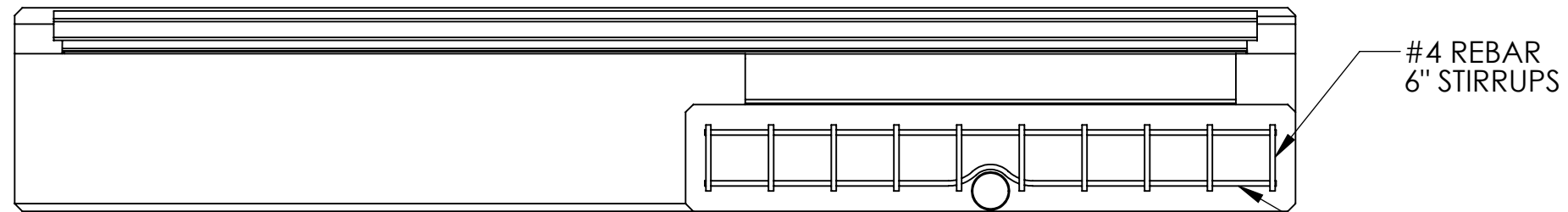
STANDARDS

REINF. W12.3 X W15.3 WIRE MESH

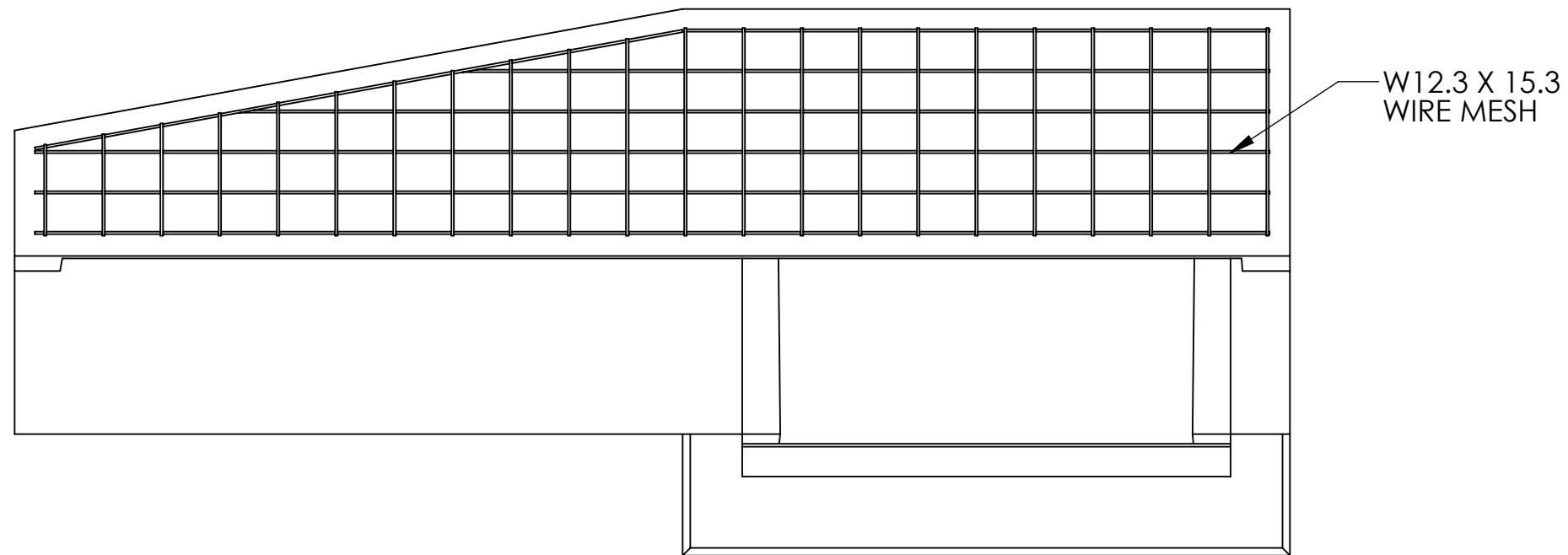
#4 REBAR SPACED 6" O.C.

STEEL REINF. FACE PLATE
SHEET 3 OF 3

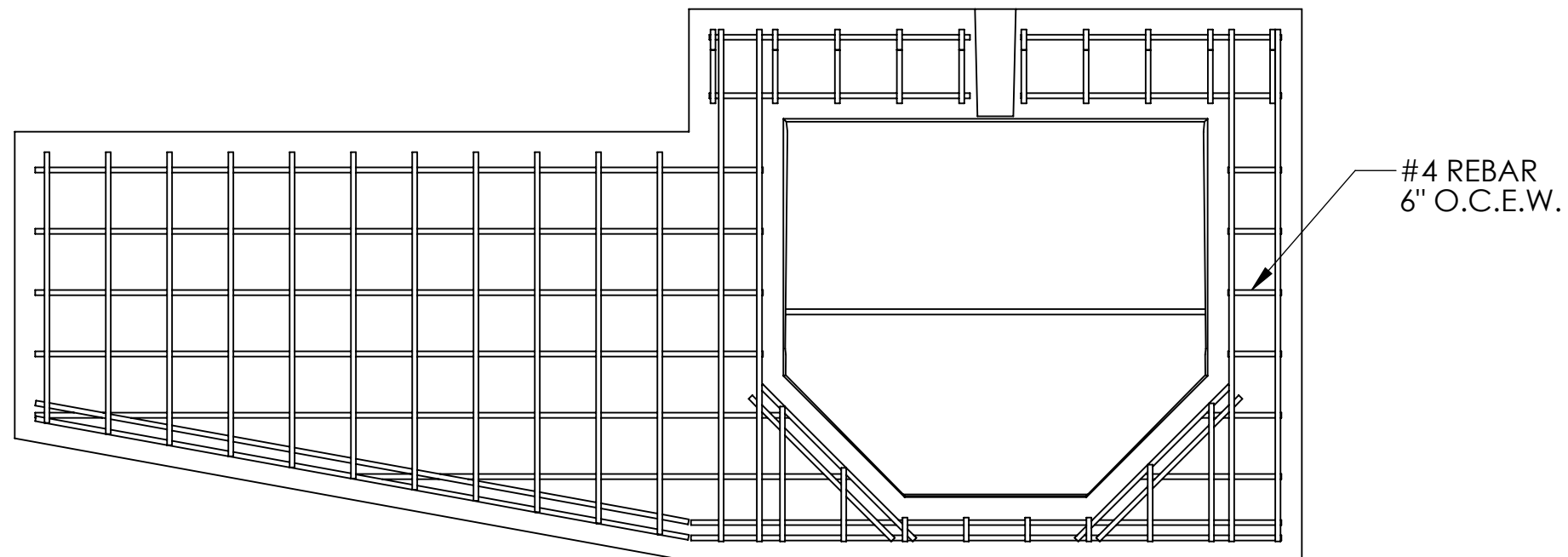
MOD FDOT TYPE 5 LEFT CURB INLET TOP



SECTION C



SECTION B



SECTION A