

FOR ALL YOUR STORM & SANITARY NEEDS



PH: (239)482-7468

FX: (239)482-7469

COASTAL PREGAST
of Florida

P.O. BOX 370
ESTERO, FL. 33928

NOTES

CONCRETE SPECS

4,000 PSI @ 28 DAYS

TYPE II CEMENT

REF. FDOT INDEX 210

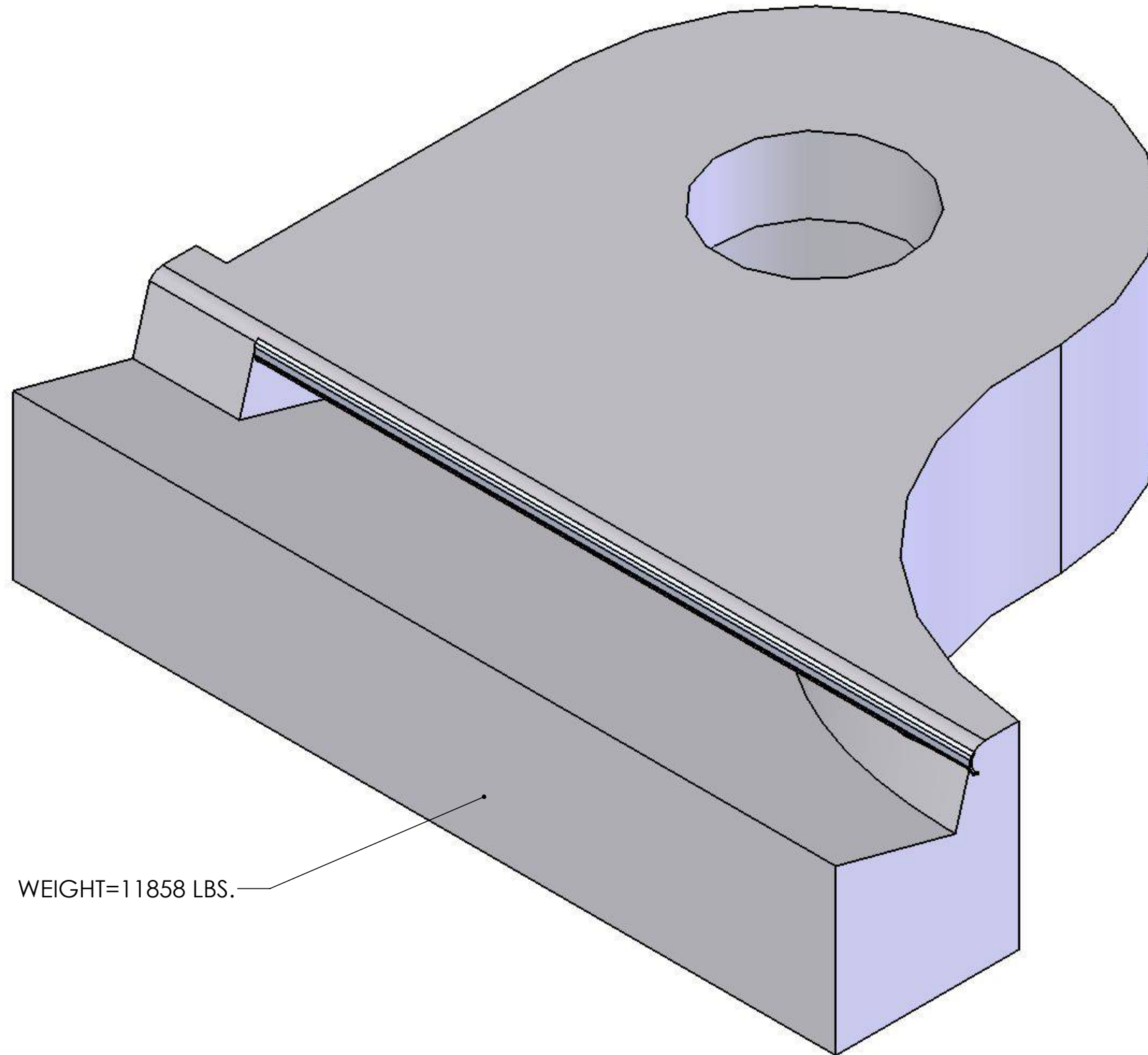
RING & COVER

U.S.F. 1182

STANDARDS

REINF. W4.5 X W2.0 WIRE MESH

#6 REBAR SPACED 8" O.C.



WEIGHT=11858 LBS.

STEEL REINF. FACE PLATE
SHEET 1 OF 3

**MOD FDOT
TYPE 3 RIGHT
CURB INLET TOP**

FOR ALL YOUR STORM & SANITARY NEEDS



PH: (239)482-7468
FX: (239)482-7469

P.O. BOX 370
ESTERO, FL. 33928

NOTES

CONCRETE SPECS

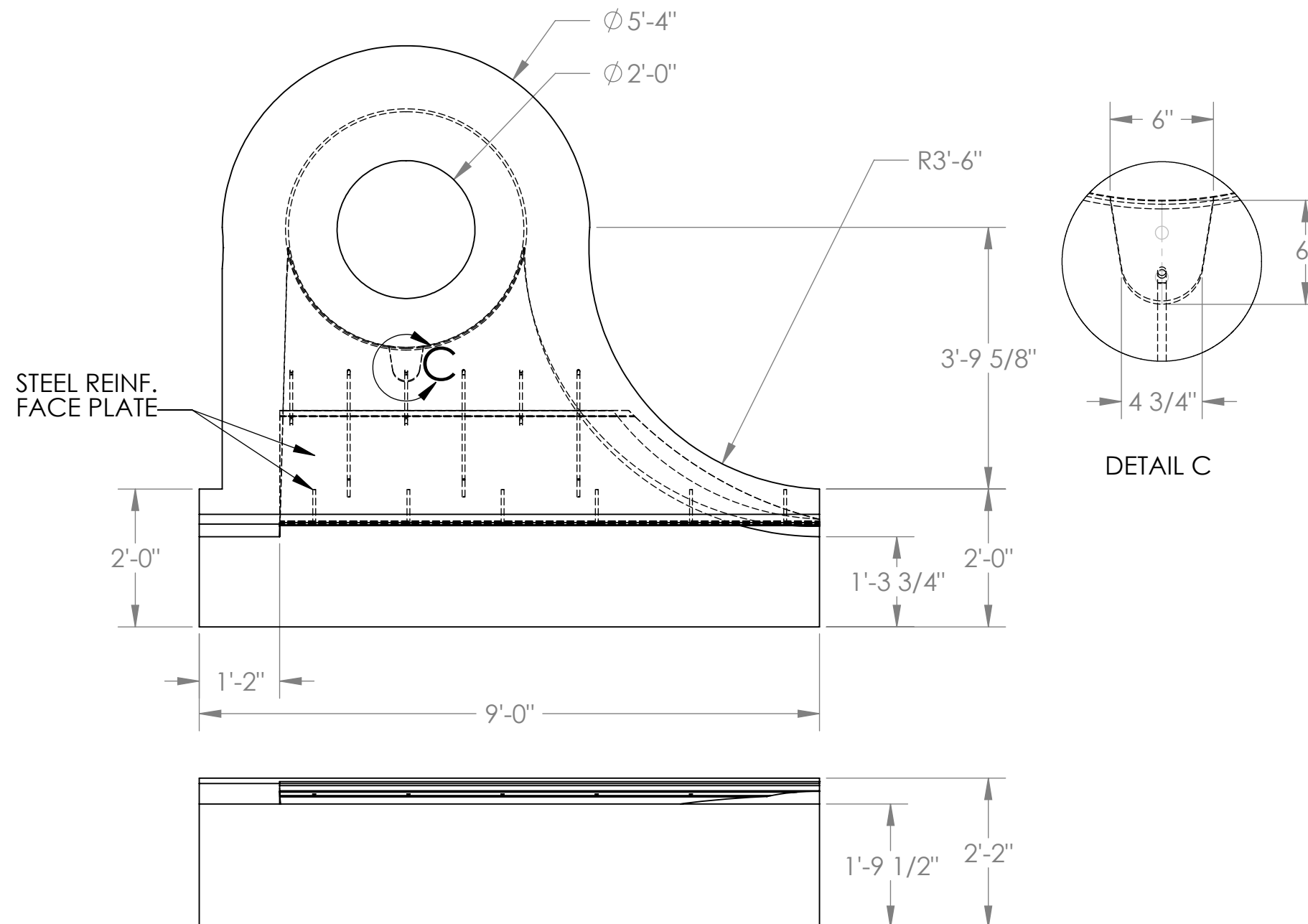
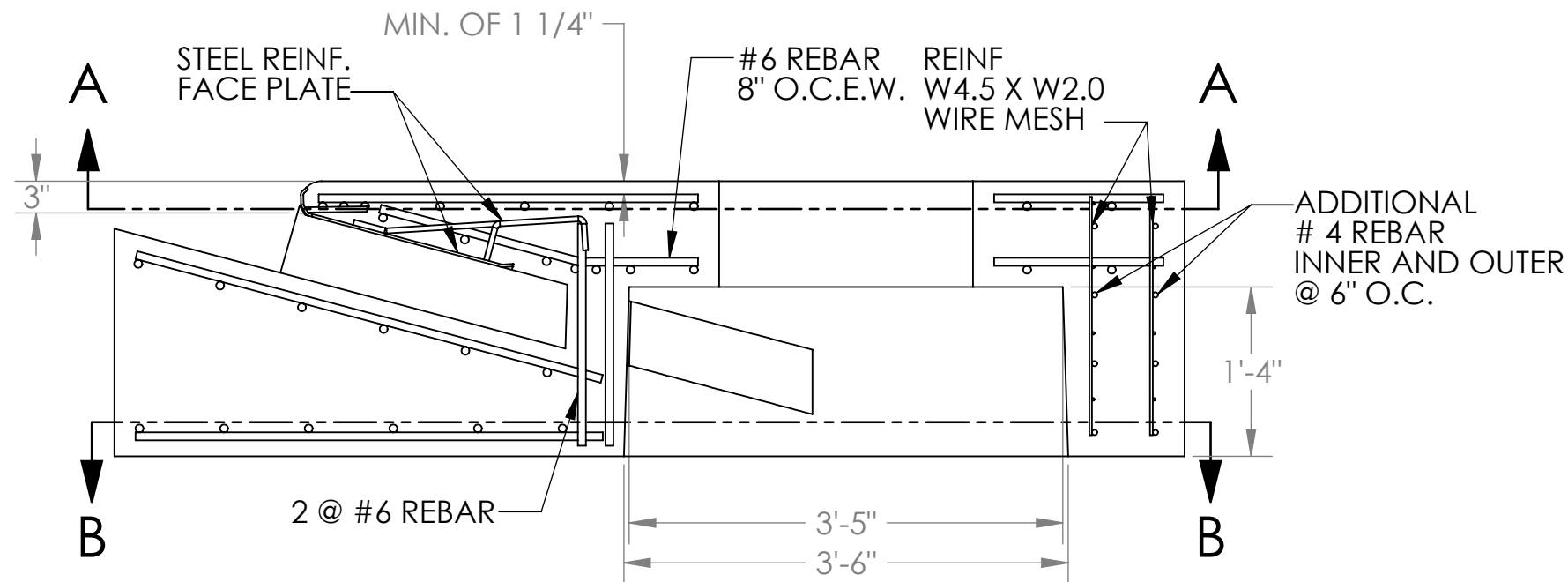
4,000 PSI @ 28 DAYS
TYPE II CEMENT
REF. FDOT INDEX 210

RING & COVER

U.S.F. 1182

STANDARDS

REINF. W4.5 X W2.0 WIRE MESH
#6 REBAR SPACED 8" O.C.



STEEL REINF. FACE PLATE
SHEET 2 OF 3

MOD FDOT TYPE 3 RIGHT CURB INLET TOP

FOR ALL YOUR STORM & SANITARY NEEDS



PH: (239)482-7468
FX: (239)482-7469

COASTAL PRECAST
of Florida

P.O. BOX 370
ESTERO, FL. 33928

NOTES

CONCRETE SPECS

4,000 PSI @ 28 DAYS
TYPE II CEMENT
REF. FDOT INDEX 210

RING & COVER

U.S.F. 1182

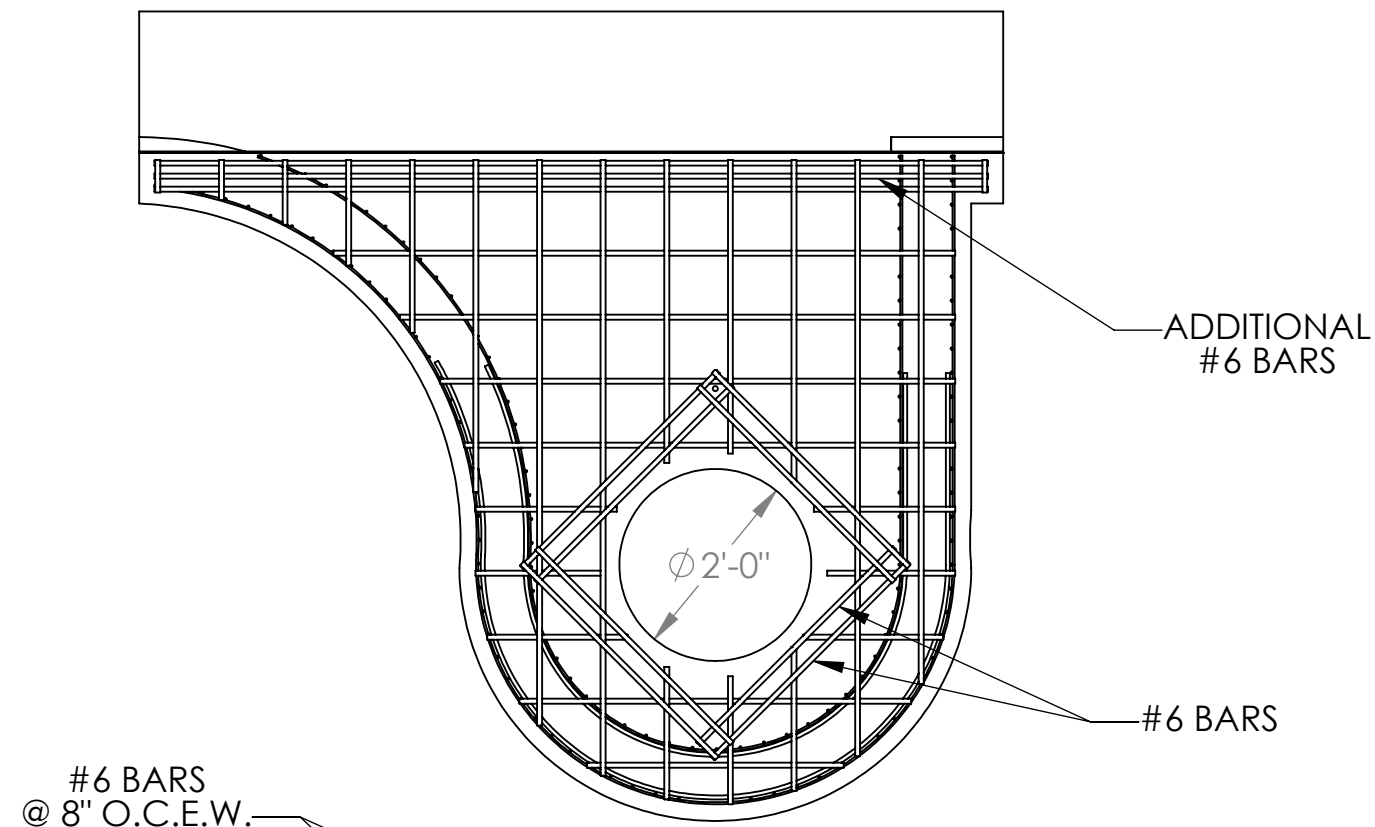
STANDARDS

REINF. W4.5 X W2.0 WIRE MESH
#6 REBAR SPACED 8" O.C.

STEEL REINF. FACE PLATE
STEEL 3 OF 3

MOD FDOT TYPE 3 RIGHT CURB INLET TOP

SECTION A



SECTION B

