

FOR ALL YOUR STORM & SANITARY NEEDS



PH: (239)482-7468  
FX: (239)482-7469

COASTAL PRECAST  
*of Florida*

P.O. BOX 370  
ESTERO, FL. 33928

## NOTES

### CONCRETE SPECS

4,000 PSI @ 28 DAYS  
TYPE II CEMENT  
REINF. REF. FDOT INDEX 200, 201

### GRATES

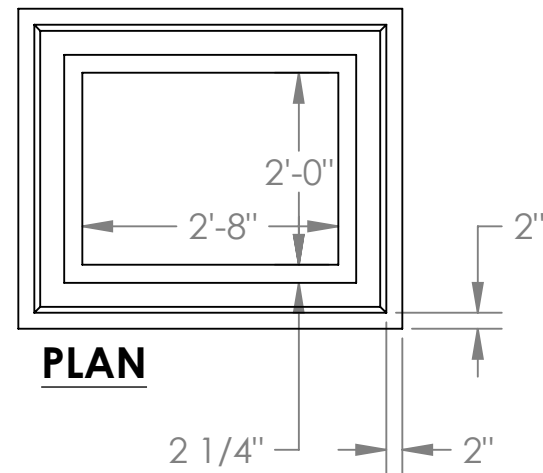
U.S.F. 6210 C.I. NON-TRAFFIC  
U.S.F. 6212 C.I. TRAFFIC  
U.S.F. 6610 STEEL NON-TRAFFIC  
U.S.F. 6614 STEEL TRAFFIC

### STANDARDS

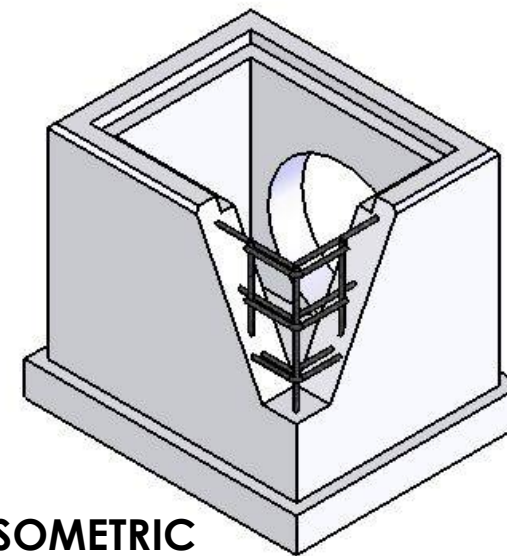
6" OR 8" WALLS  
6" OR 8" BASE

### MAX PIPE SIZE

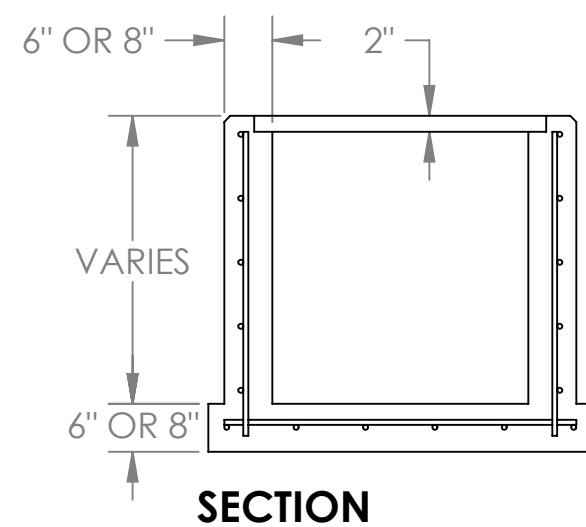
2'-0" WALL - 18" PIPE  
3'-1" WALL - 24" PIPE



**PLAN**



**ISOMETRIC**



**SECTION**

# MOD "C" INLET