

FOR ALL YOUR STORM & SANITARY NEEDS



PH: (239)482-7468

FX: (239)482-7469

COASTAL PRECAST  
*of Florida*

P.O. BOX 370  
ESTERO, FL. 33928

## NOTES

### CONCRETE SPECS

4,000 PSI @ 28 DAYS

TYPE II CEMENT

REINF. REF. FDOT INDEX 200, 201

### FRAME & GRATE

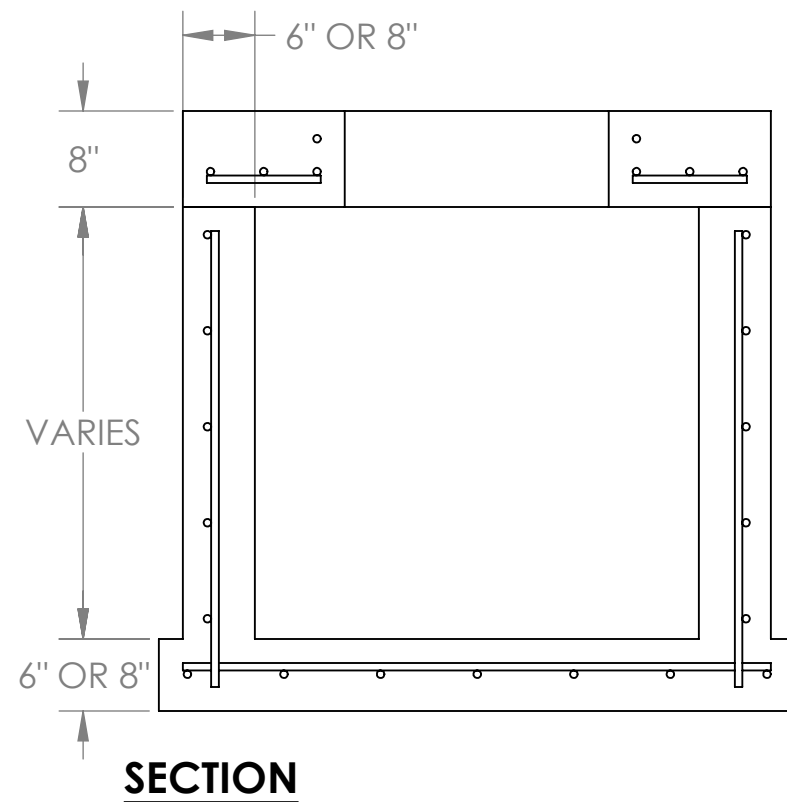
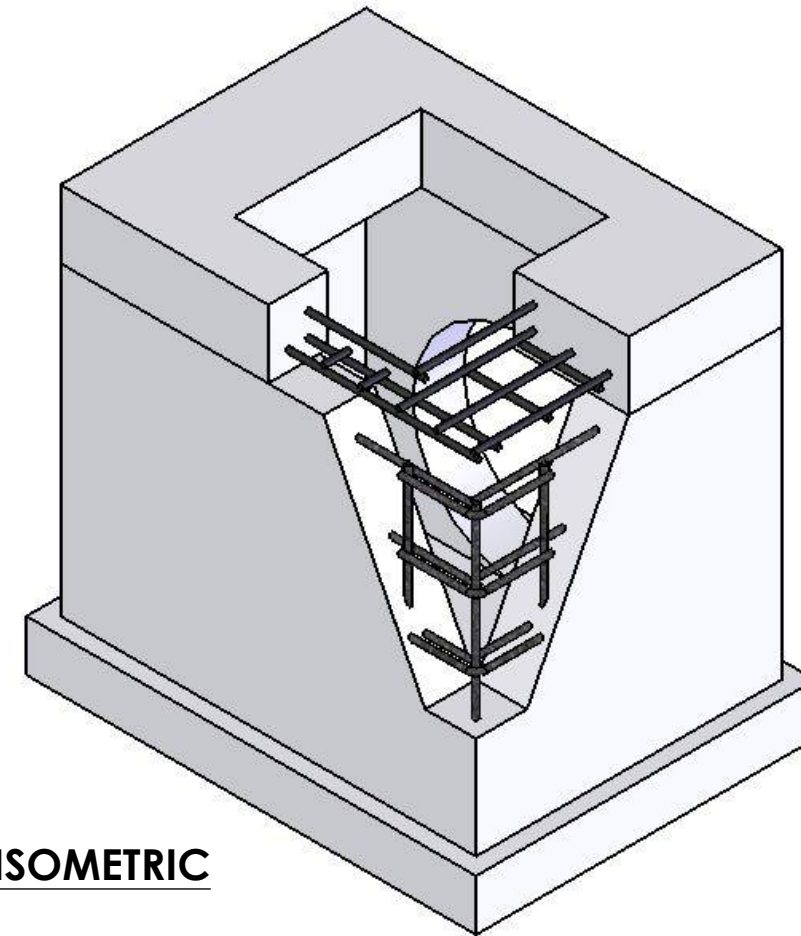
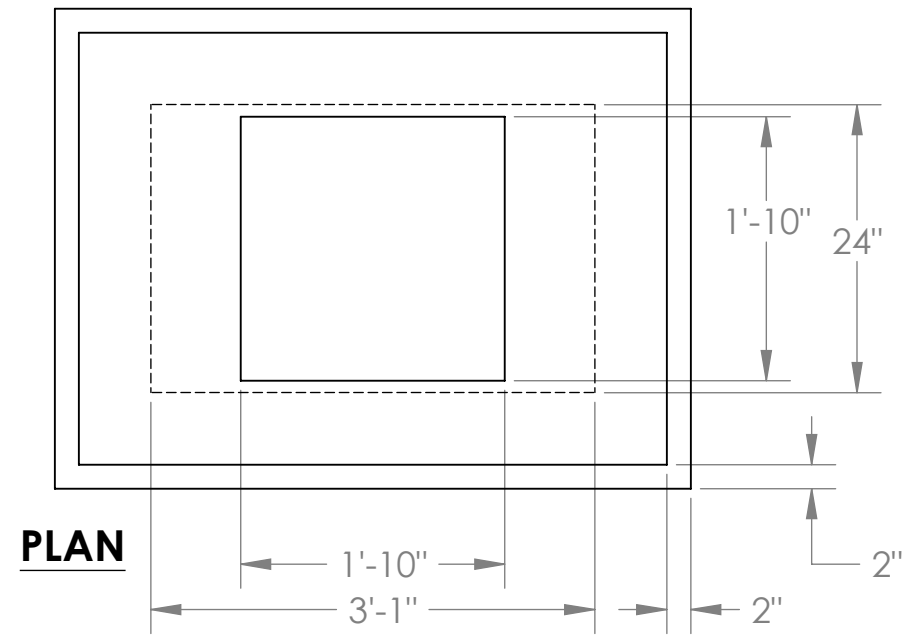
U.S.F. 5105-6148

### STANDARDS

6" OR 8" WALLS

6" OR 8" BASE

8" TOP



# TYPE C MOD VALLEY GUTTER INLET