

FOR ALL YOUR STORM & SANITARY NEEDS



PH: (239)482-7468
FX: (239)482-7469

COASTAL PRECAST
of Florida

P.O. BOX 370
ESTERO, FL. 33928

NOTES

CONCRETE SPECS

4,000 PSI @ 28 DAYS

TYPE II CEMENT

REINF. REF. FDOT INDEX 200, 201, 232

RING AND COVER

U.S.F. 170-E

STANDARDS

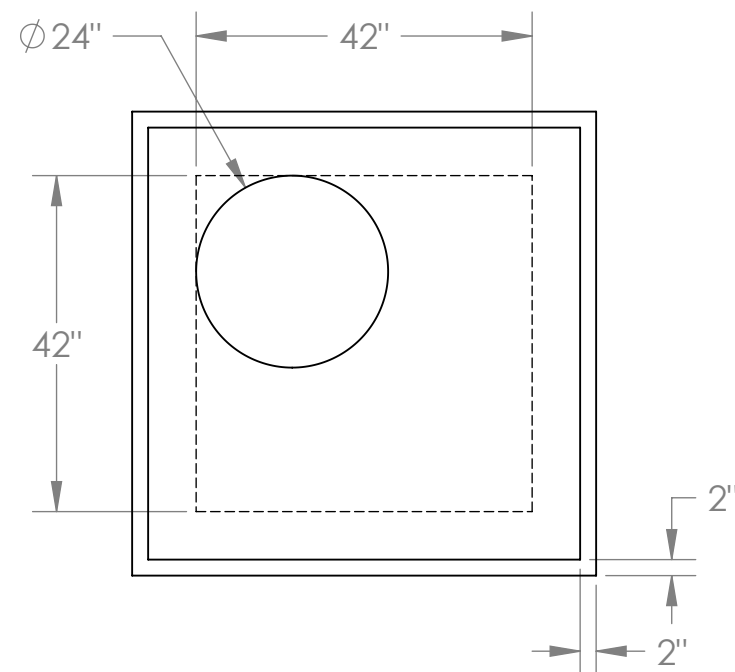
6" OR 8" WALLS

6" OR 8" BASE

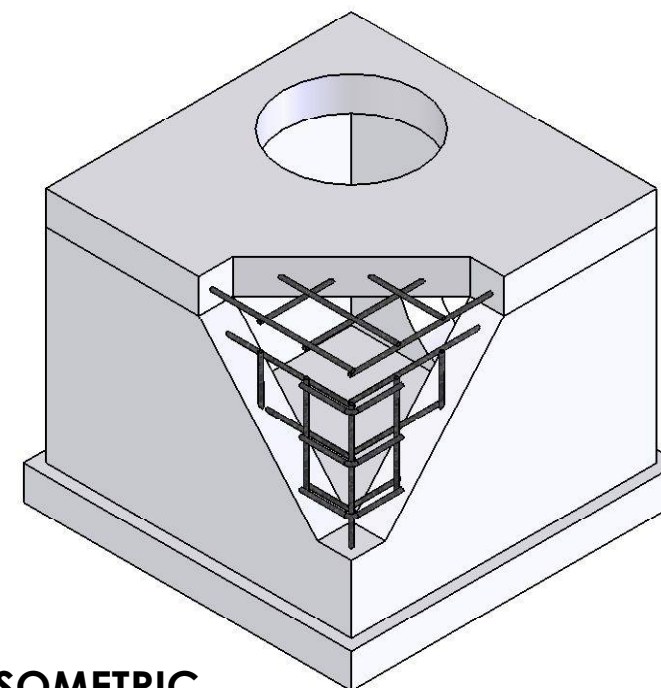
6" OR 8" TOP

MAX PIPE SIZE

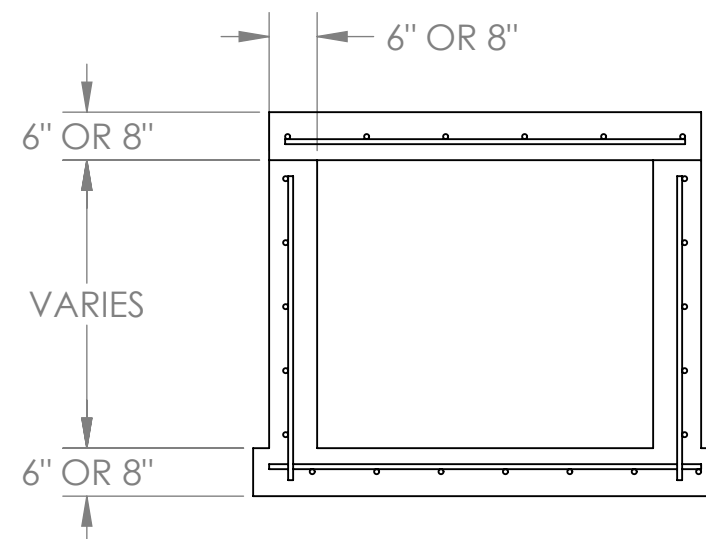
3'-6" WALL - 30" PIPE



PLAN



ISOMETRIC



SECTION

3'-6" X 3'-6" JUNCTION BOX

BOX TYPE