

FOR ALL YOUR STORM & SANITARY NEEDS



PH: (239)482-7468  
FX: (239)482-7469

COASTAL PREGAST  
*of Florida*

P.O. BOX 370  
ESTERO, FL. 33928

## NOTES

### CONCRETE SPECS

4,000 PSI @ 28 DAYS  
TYPE II CEMENT  
REINF. REF. FDOT INDEX 200, 201

### RING AND COVER

U.S.F. 170-E

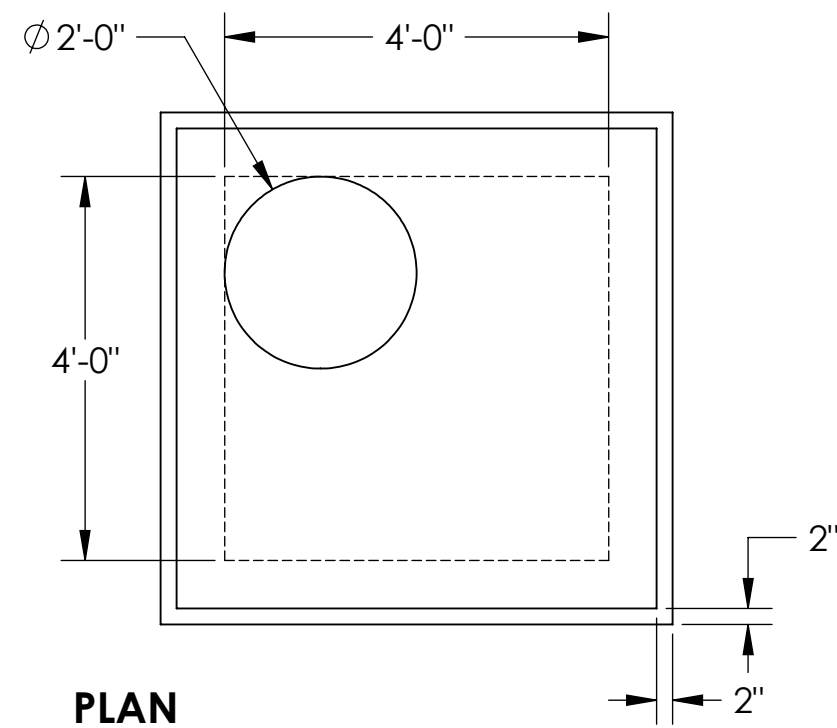
### STANDARDS

6" OR 8" WALLS  
6" OR 8" BASE  
6" OR 8" TOP

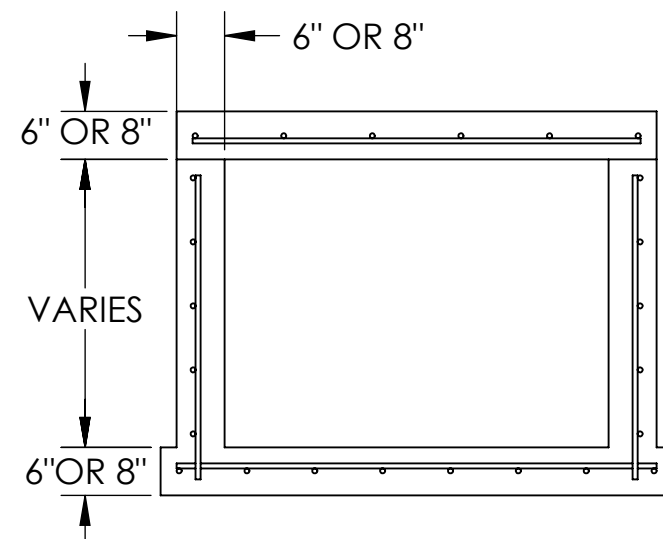
### MAX PIPE SIZE

4'-0" WALL - 36" PIPE

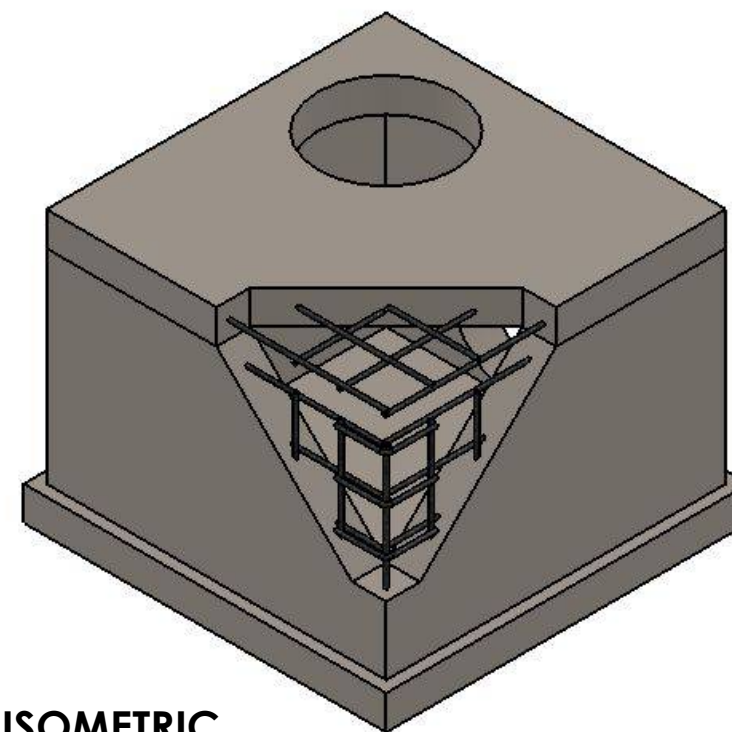
# 4'-0" X 4'-0" JUNCTION BOX



**PLAN**



**SECTION**



**ISOMETRIC**