

FOR ALL YOUR STORM & SANITARY NEEDS



PH: (239)482-7468

FX: (239)482-7469

COASTAL PRECAST
of Florida

P.O. BOX 370
ESTERO, FL. 33928

NOTES

CONCRETE SPECS

4,000 PSI @ 28 DAYS

TYPE II CEMENT

REINF. REF. FDOT INDEX 200, 201

STANDARDS

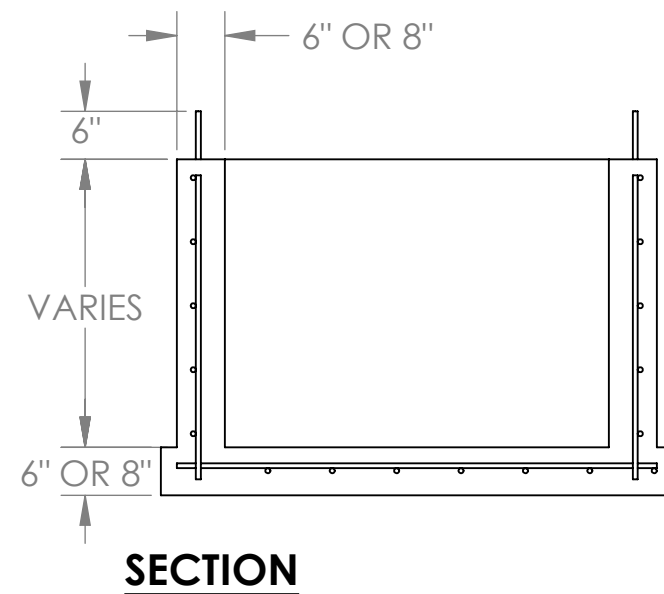
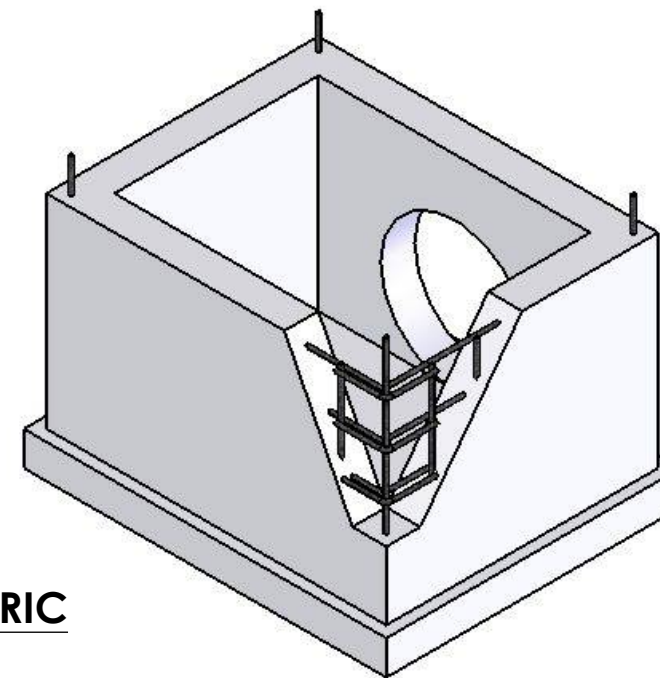
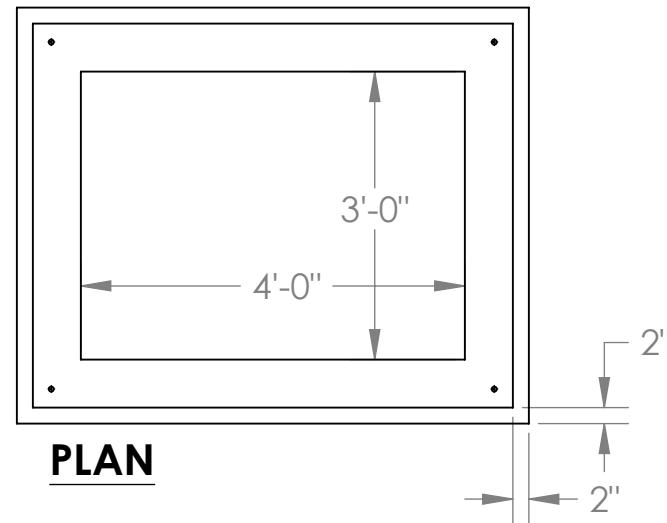
6" OR 8" WALLS

6" OR 8" BASE

MAX PIPE SIZE

3'-0" WALL - 24" PIPE

4'-0" WALL - 36" PIPE



**3'-0" X 4'-0"
THROAT INLET
BOTTOM**