

FOR ALL YOUR STORM & SANITARY NEEDS



PH: (239)482-7468

FX: (239)482-7469

COASTAL PRECAST  
*of Florida*

P.O. BOX 370  
ESTERO, FL. 33928

## NOTES

### CONCRETE SPECS

4,000 PSI @ 28 DAYS

TYPE II CEMENT

REINF. REF. FDOT INDEX 200, 201

### STANDARDS

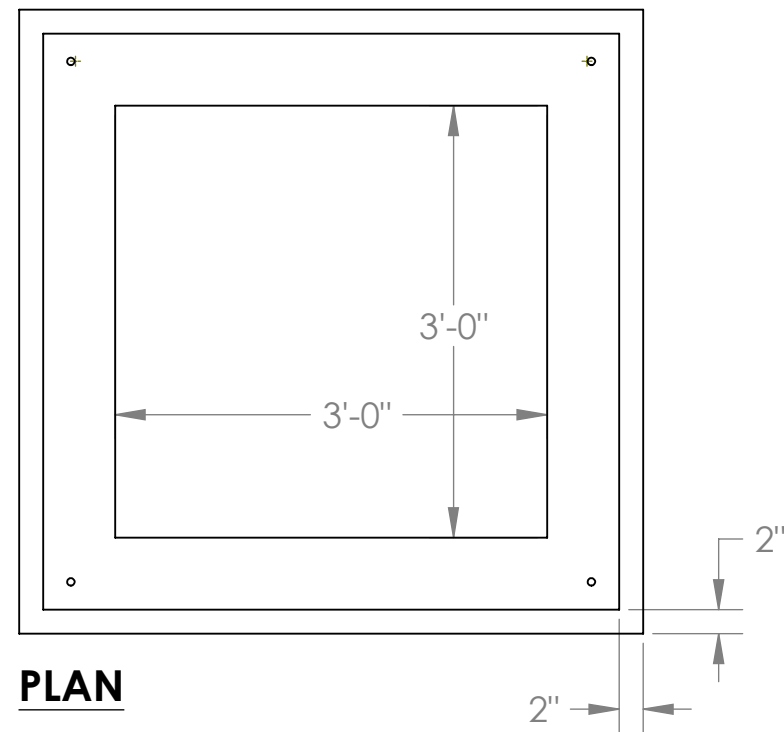
6" OR 8" WALLS

6" OR 8" BASE

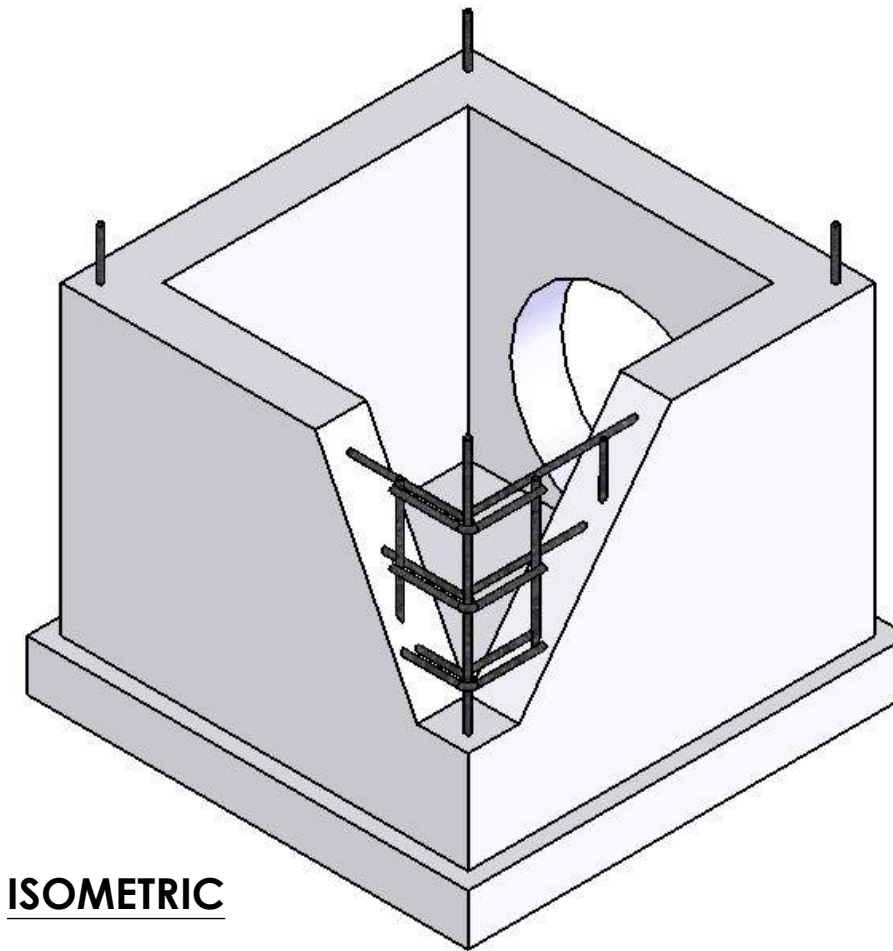
### MAX PIPE SIZE

3'-0" WALL - 24" PIPE

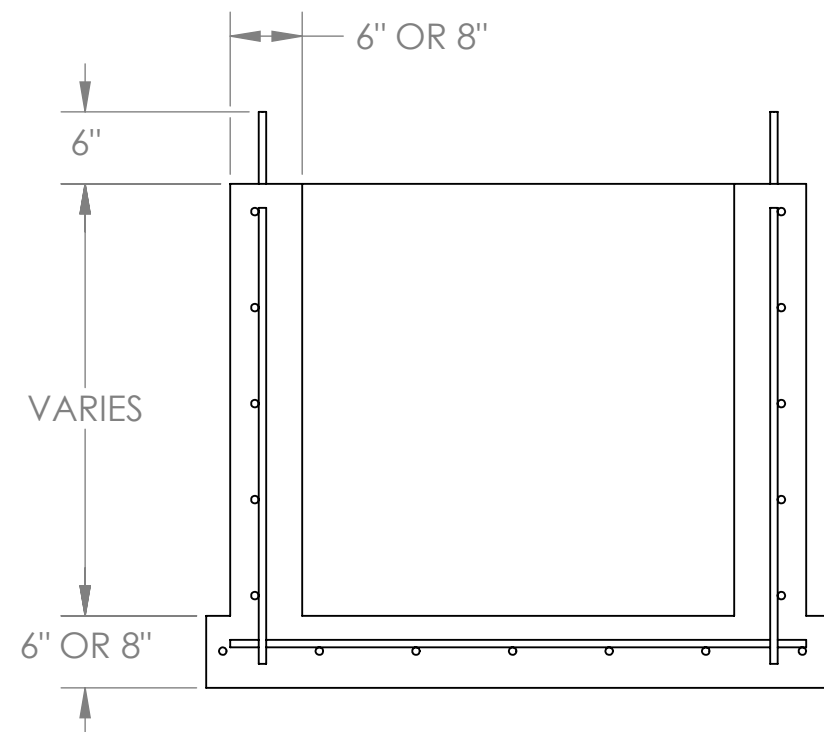
3'-0" WALL - 24" PIPE



**PLAN**



**ISOMETRIC**



**SECTION**

**3'-0" X 3'-0"  
THROAT INLET  
BOTTOM**