

FOR ALL YOUR STORM & SANITARY NEEDS



PH: (239)482-7468
FX: (239)482-7469

COASTAL PREGAST
of Florida

P.O. BOX 370
ESTERO, FL. 33928

NOTES

CONCRETE SPECS

4,000 PSI @ 28 DAYS

TYPE II CEMENT

REINF. REF. FDOT INDEX 200, 201

FRAME & GRATE

U.S.F. 5105-6148

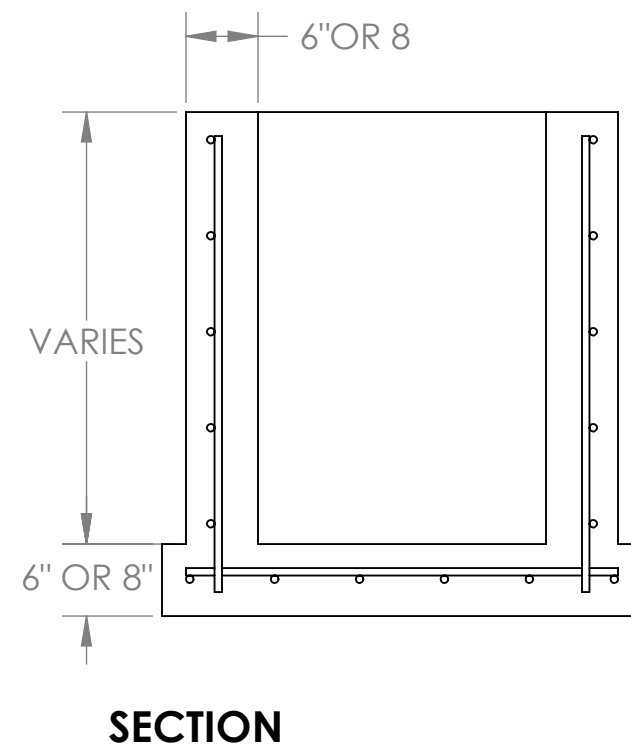
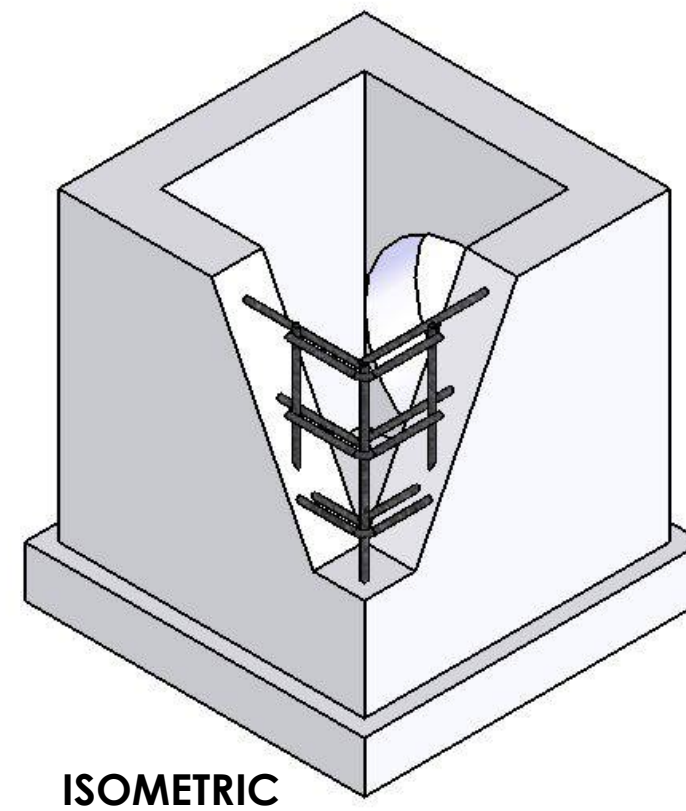
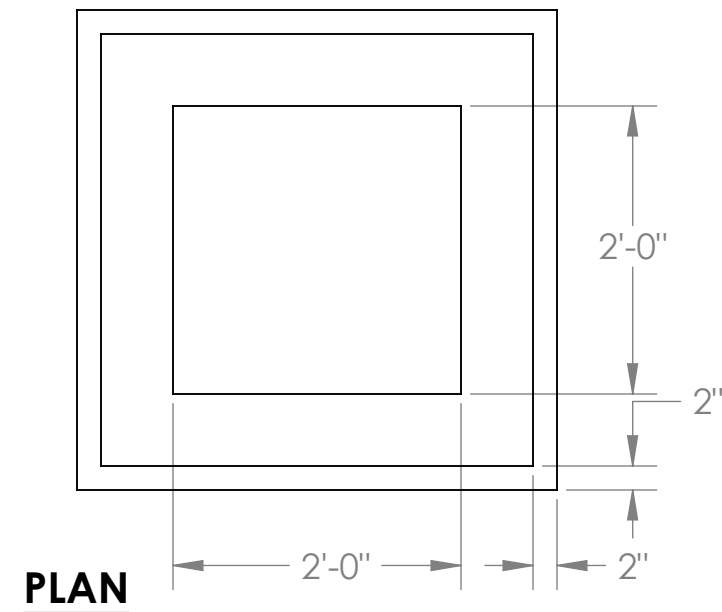
STANDARDS

6" OR 8" WALLS

6" OR 8" BASE

MAX PIPE SIZE

2'-0" WALL - 18" PIPE



**2' X 2'
VALLEY GUTTER INLET**