

FOR ALL YOUR STORM & SANITARY NEEDS



PH: (239) 482-7468

FX: (239) 482-7469

COASTAL PRECAST
of Florida

P.O. BOX 370
ESTERO, FL. 33928

NOTES

CONCRETE SPECS

4,000 PSI @ 28 DAYS

TYPE II CEMENT

REINF. REF. FDOT INDEX 200, 201

RING & COVER

U.S.F. 170-E

STANDARDS

6" WALLS

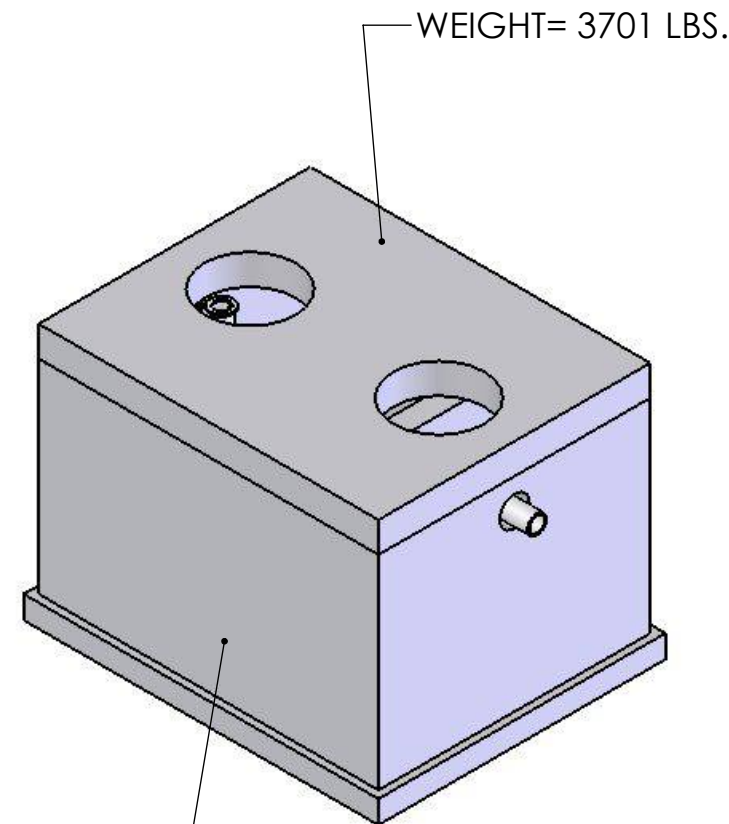
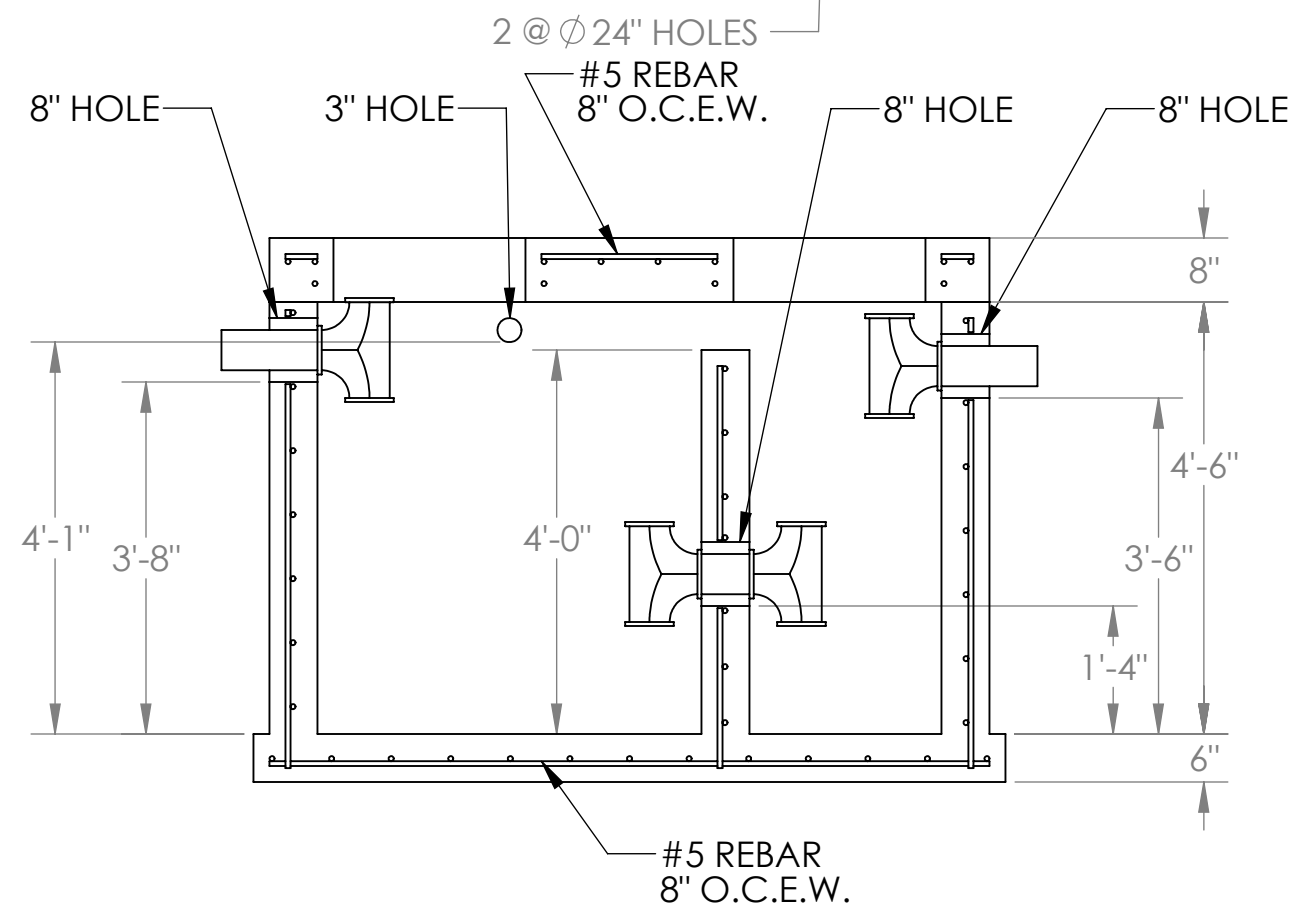
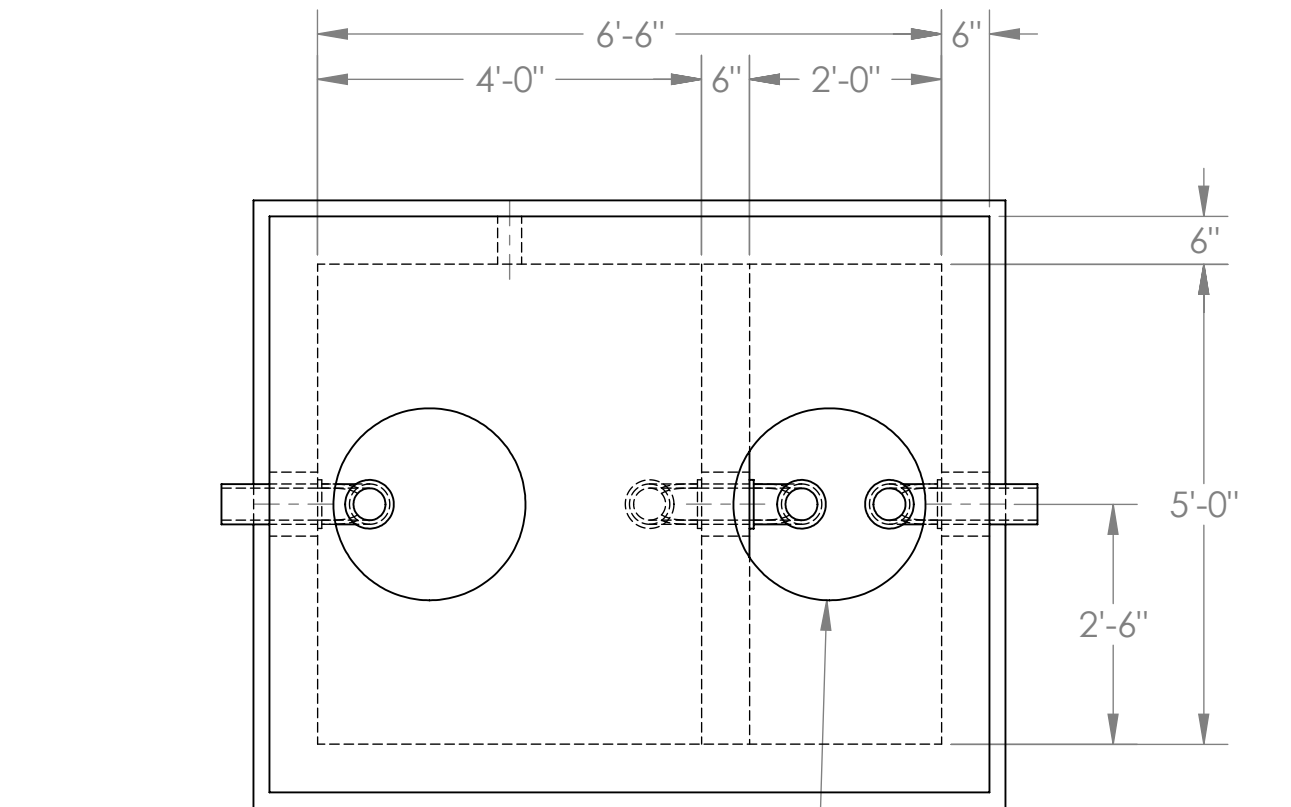
6" BASE

8" TOP

#5 REBAR SPACED 8" O.C.

PVC FITTING NOT INCLUDED

OPTIONAL BOOTS FOR OUTER HOLES



GREASE TRAP 750 GALLON