

FOR ALL YOUR STORM & SANITARY NEEDS



PH: (239)482-7468  
FX: (239)482-7469

P.O. BOX 370  
ESTERO, FL. 33928

## NOTES

### CONCRETE SPECS

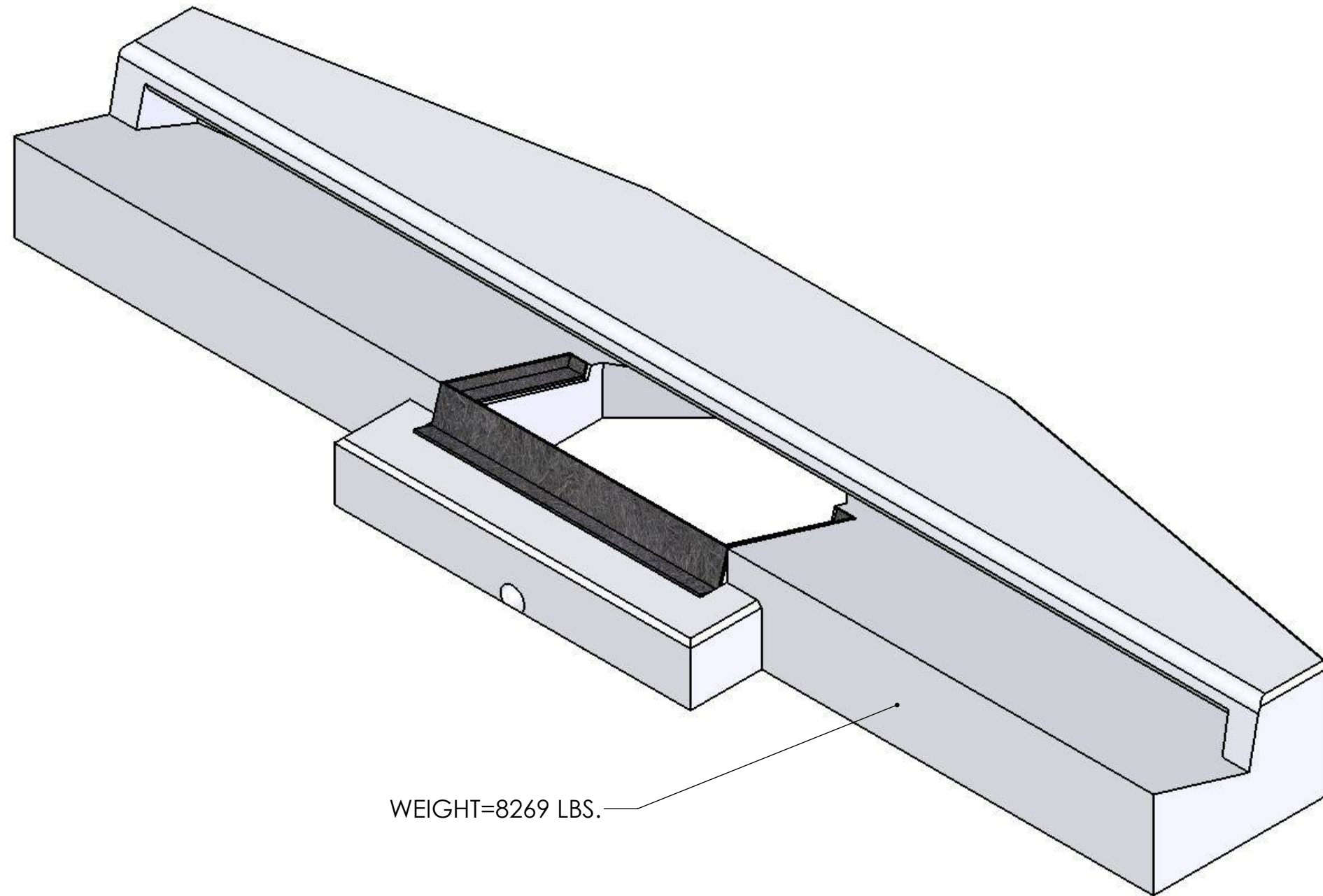
4,000 PSI @ 28 DAYS  
TYPE II CEMENT  
REF. FDOT INDEX 211

### FRAME & GRATE

U.S.F. 5160-6310

### STANDARDS

REINF. W12.3 X W15.3 WIRE MESH  
#4 REBAR SPACED 6" O.C.



WEIGHT=8269 LBS.

SHEET 1 OF 3

# FDOT TYPE 6 CURB INLET TOP



### NOTES

#### CONCRETE SPECS

4,000 PSI @ 28 DAYS

TYPE II CEMENT

REF. FDOT INDEX 211

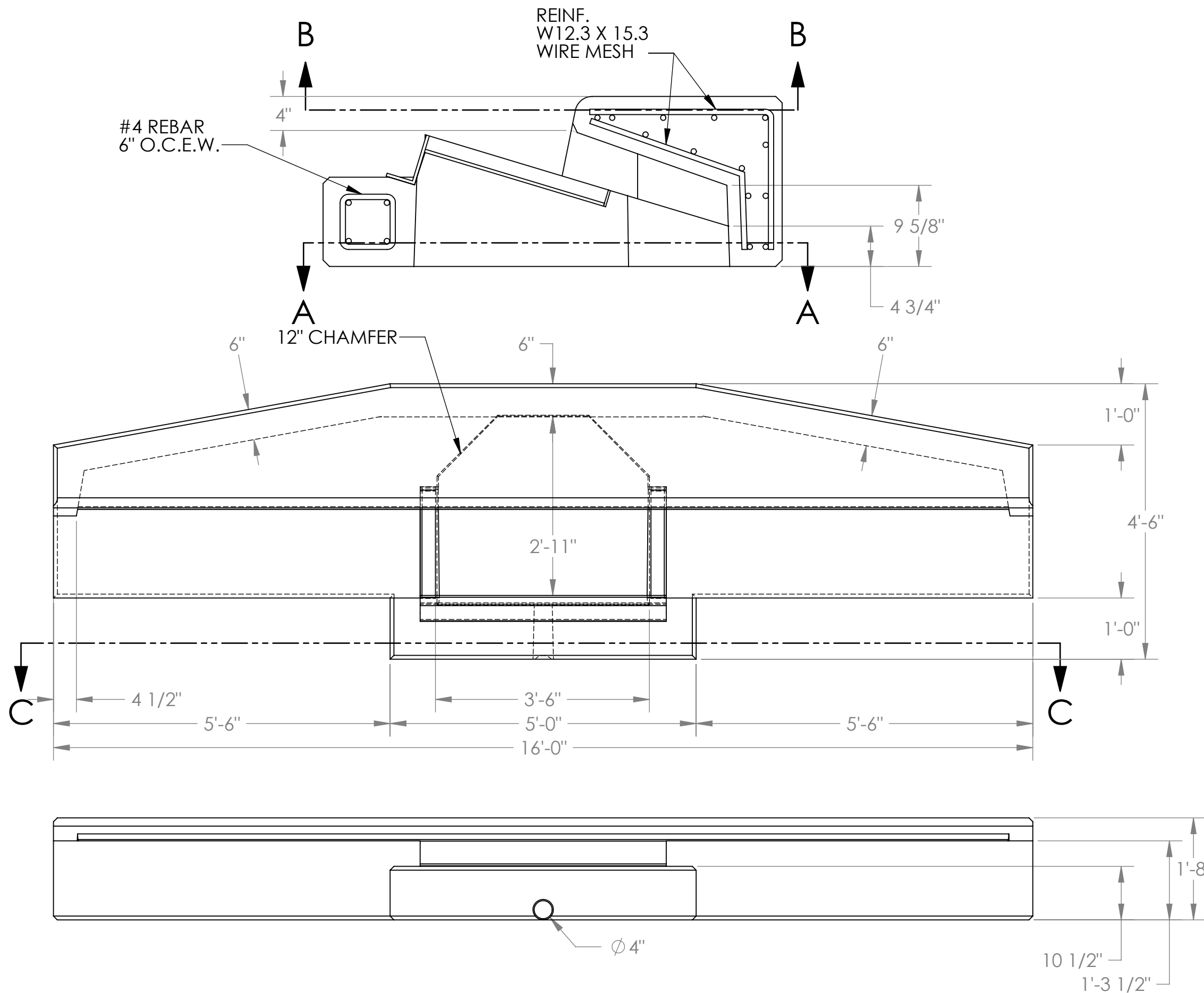
#### FRAME & GRATE

U.S.F. 5160-6310

#### STANDARDS

REINF. W12.3 X W15.3 WIRE MESH

#4 REBAR SPACED 6" O.C.



# FDOT TYPE 6 CURB INLET TOP



## NOTES

### CONCRETE SPECS

4,000 PSI @ 28 DAYS

TYPE II CEMENT

REF. FDOT INDEX 211

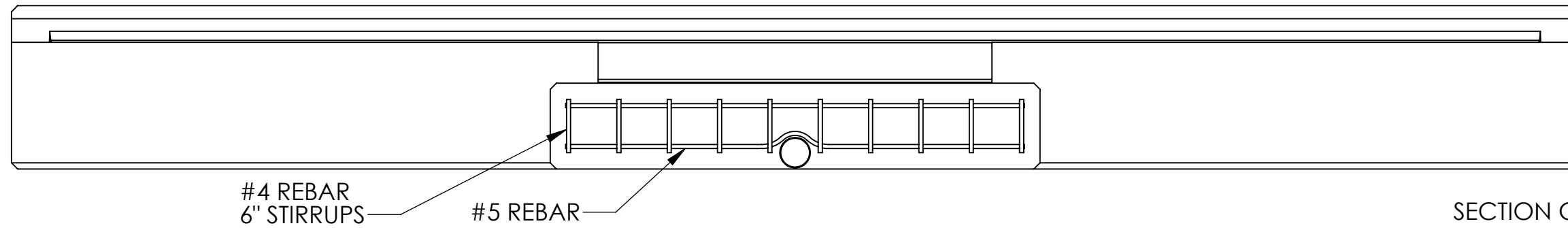
### FRAME & GRATE

U.S.F. 5160-6310

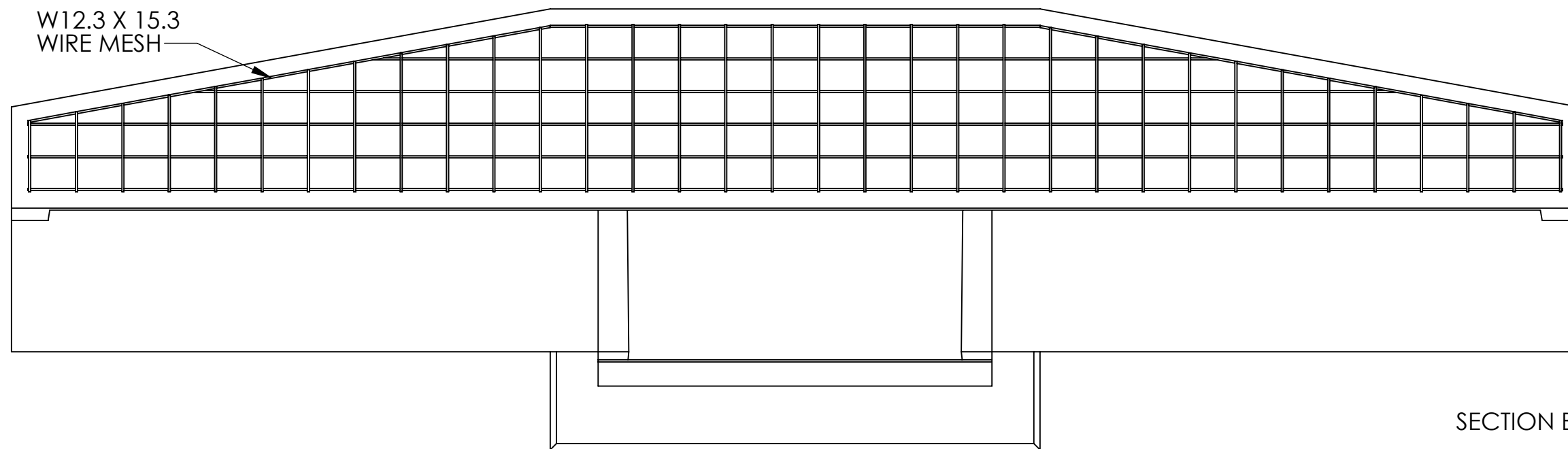
### STANDARDS

REINF. W12.3 X W15.3 WIRE MESH

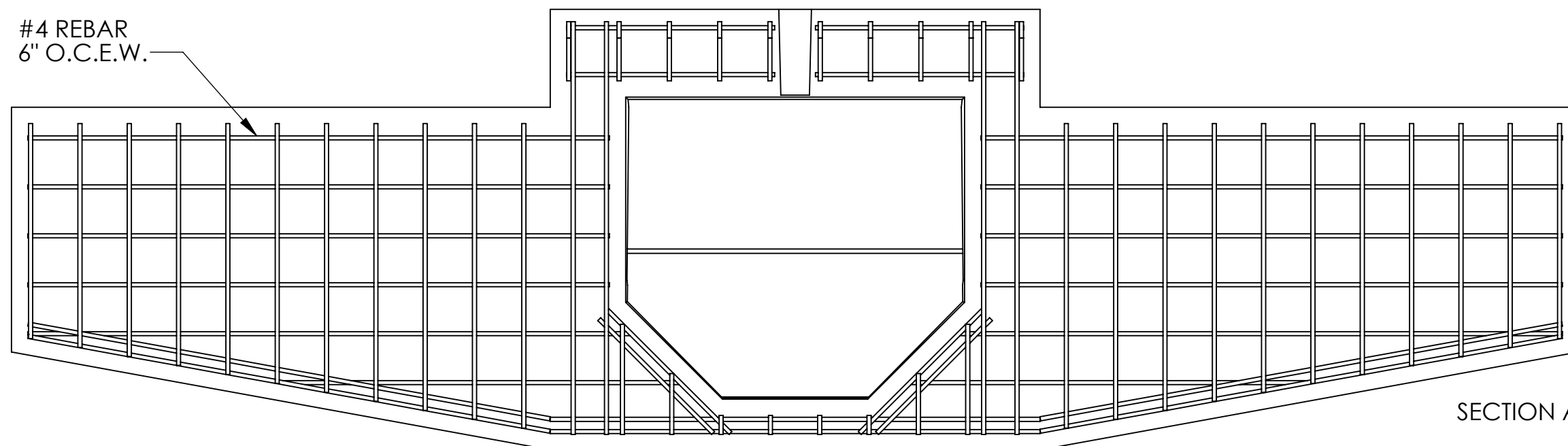
#4 REBAR SPACED 6" O.C.



SECTION C



SECTION B



SECTION A

SHEET 1 OF 3

# FDOT TYPE 6 CURB INLET TOP