

FOR ALL YOUR STORM & SANITARY NEEDS



PH: (239)482-7468

FX: (239)482-7469

COASTAL PRECAST
of Florida

P.O. BOX 370
ESTERO, FL. 33928

NOTES

CONCRETE SPECS

4,000 PSI @ 28 DAYS

TYPE II CEMENT

REF. FDOT INDEX 211

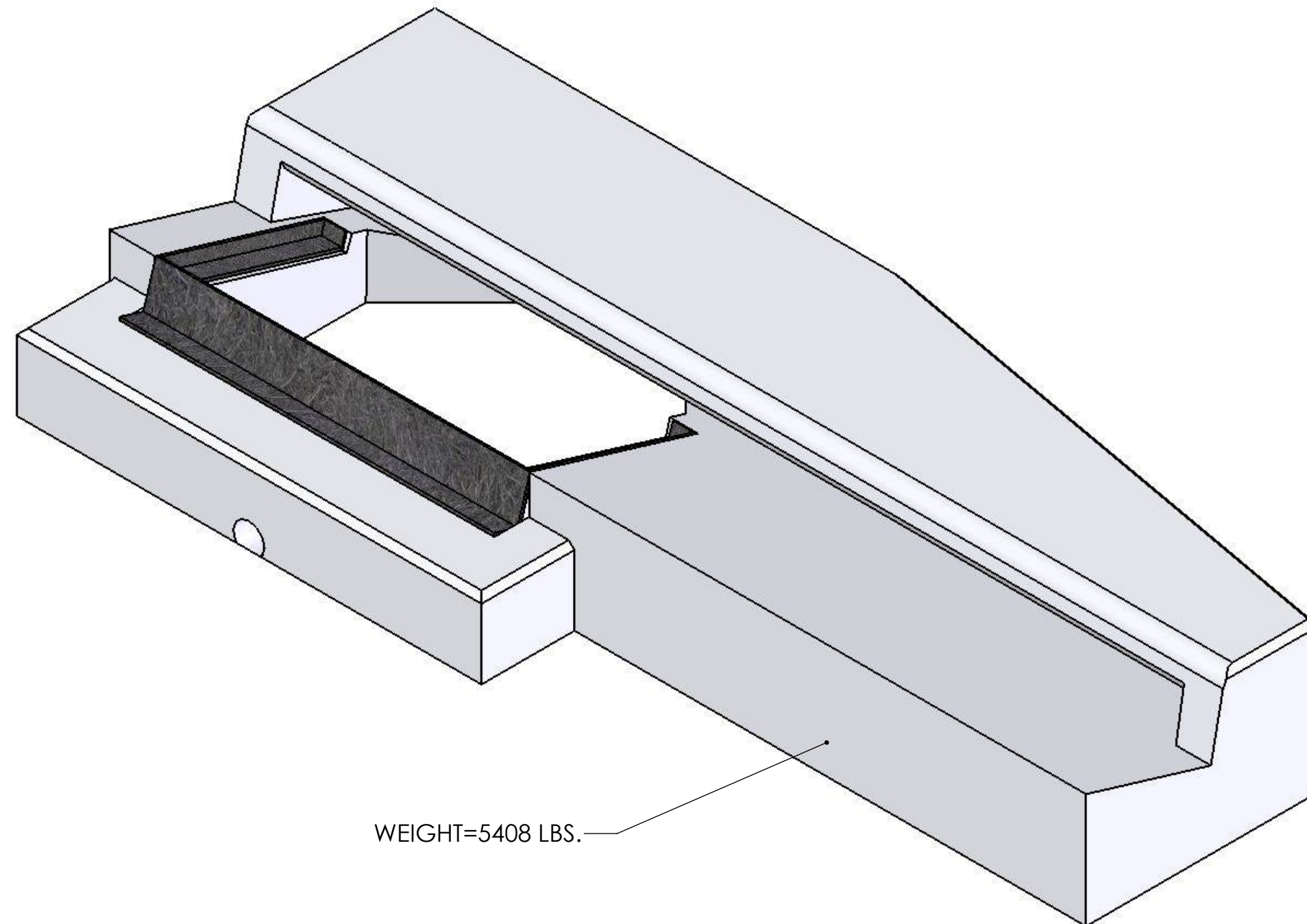
FRAME & GRATE

U.S.F. 5160-6310

STANDARDS

REINF. W12.3 X W15.3 WIRE MESH

#4 REBAR SPACED 6" O.C.



WEIGHT=5408 LBS.

SHEET 1 OF 3

FDOT TYPE 5 RIGHT CURB INLET TOP

FOR ALL YOUR STORM & SANITARY NEEDS



PH: (239)482-7468
FX: (239)482-7469

P.O. BOX 370
ESTERO, FL. 33928

NOTES

CONCRETE SPECS

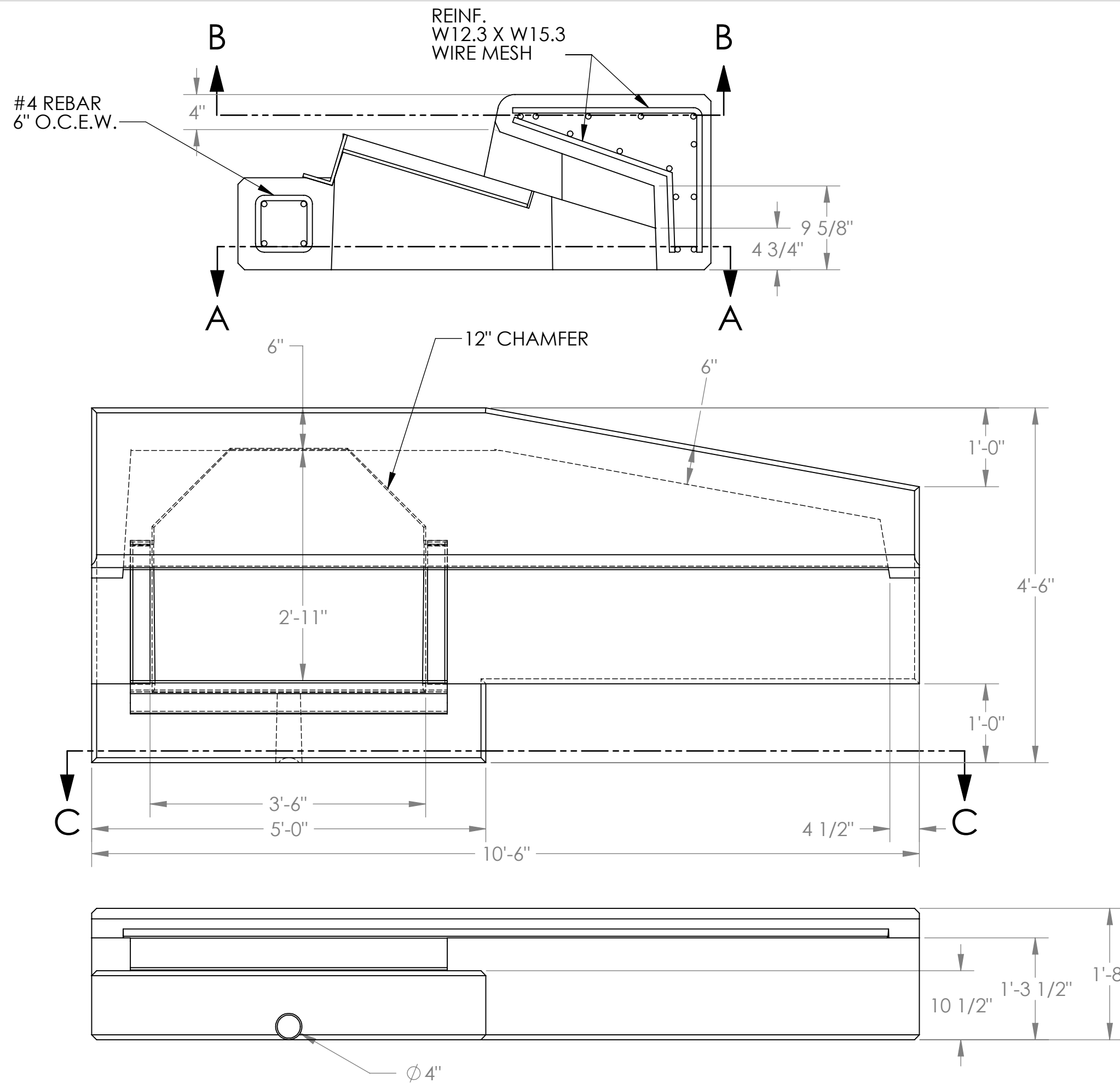
4,000 PSI @ 28 DAYS
TYPE II CEMENT
REF. FDOT INDEX 211

FRAME & GRATE

U.S.F. 5160-6310

STANDARDS

REINF. W12.3 X W15.3 WIRE MESH
#4 REBAR SPACED 6" O.C.



SHEET 2 OF 3

FDOT TYPE 5 RIGHT CURB INLET TOP



NOTES

CONCRETE SPECS

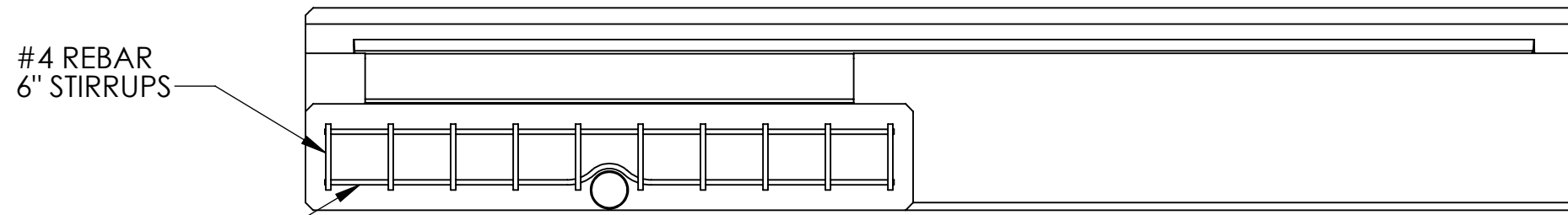
4,000 PSI @ 28 DAYS
TYPE II CEMENT
REF. FDOT INDEX 211

FRAME & GRATE

U.S.F. 5160-6310

STANDARDS

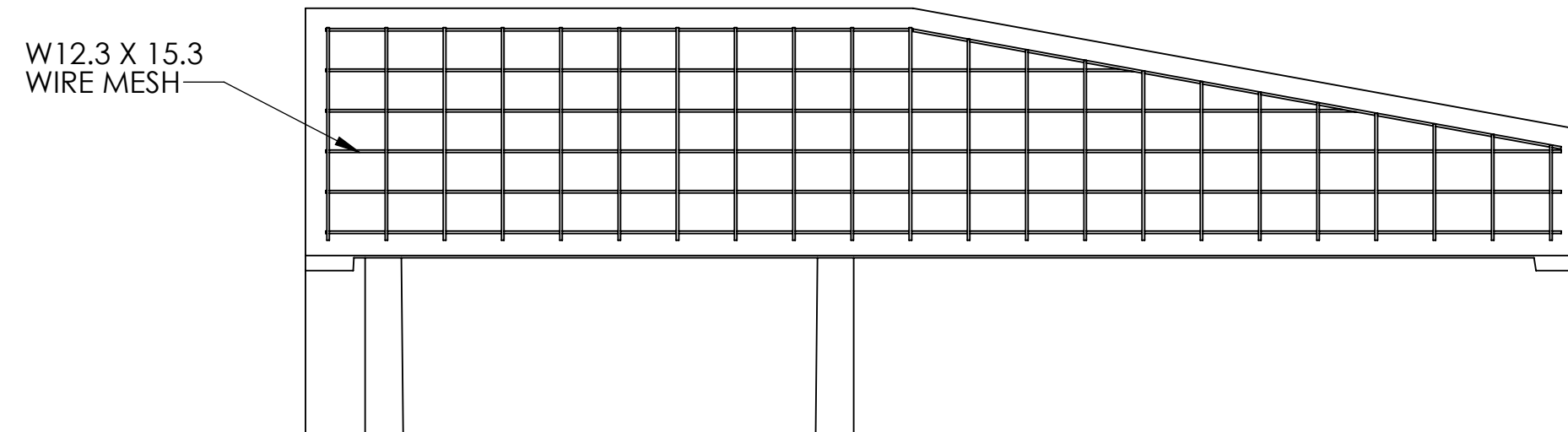
REINF. W12.3 X W15.3 WIRE MESH
#4 REBAR SPACED 6" O.C.



#4 REBAR
6" STIRRUPS

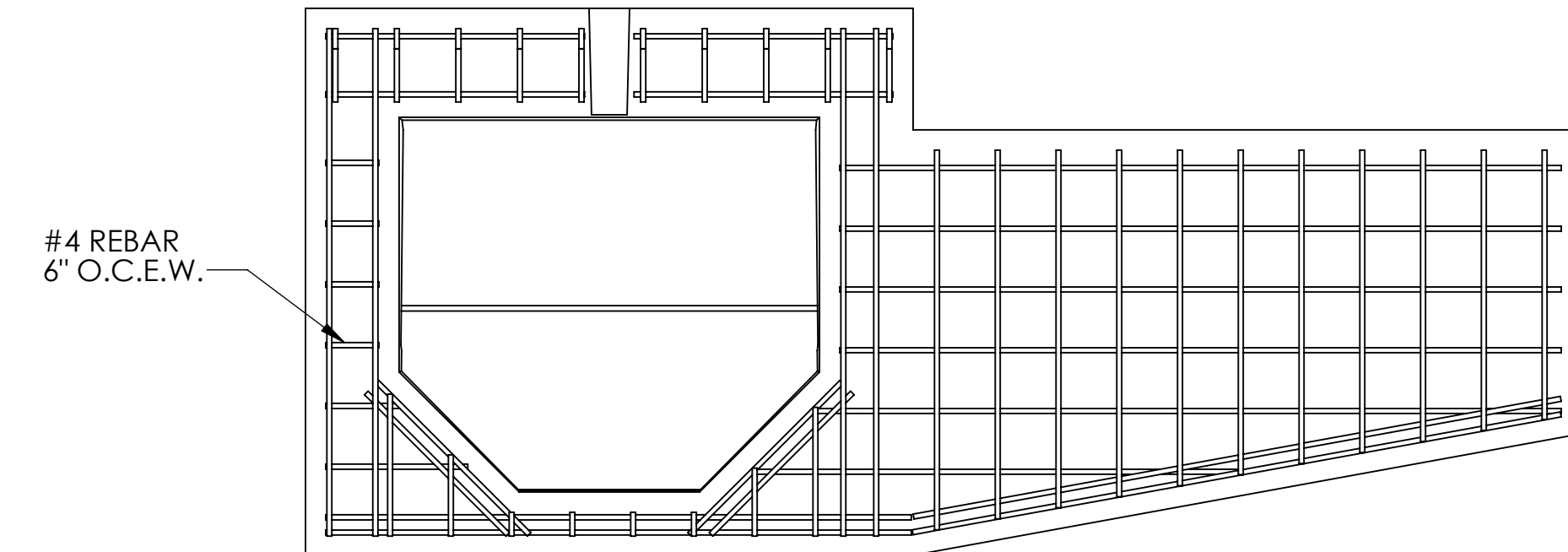
#5 REBAR

SECTION C



W12.3 X 15.3
WIRE MESH

SECTION B



#4 REBAR
6" O.C.E.W.

SECTION A

SHEET 3 OF 3

FDOT TYPE 5 RIGHT CURB INLET TOP