

FOR ALL YOUR STORM & SANITARY NEEDS



PH: (239)482-7468
FX: (239)482-7469

P.O. BOX 370
ESTERO, FL. 33928

NOTES

CONCRETE SPECS

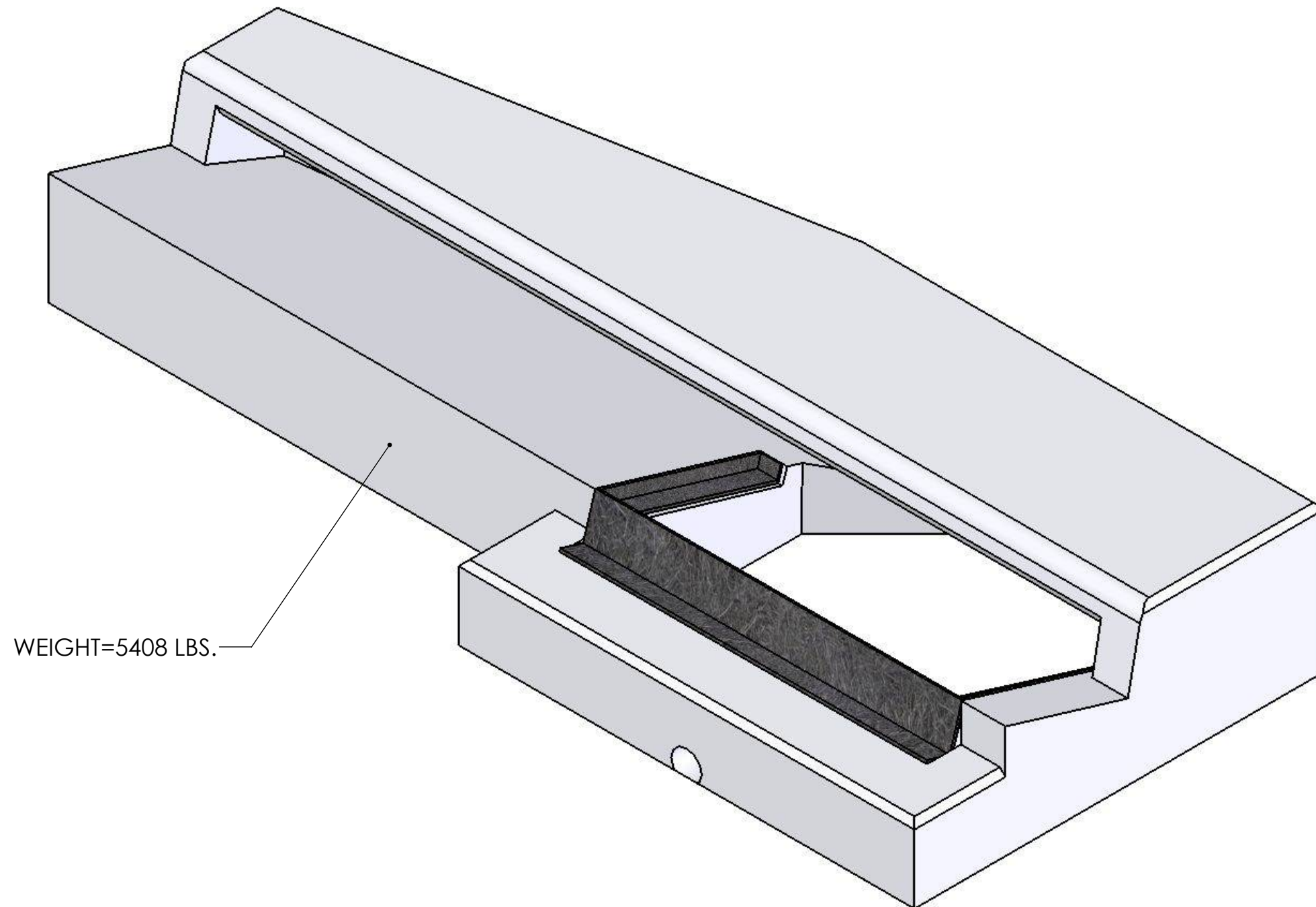
4,000 PSI @ 28 DAYS
TYPE II CEMENT
REF. FDOT INDEX 211

FRAME & GRATE

U.S.F. 5160-6310

STANDARDS

REINF. W12.3 X W15.3 WIRE MESH
#4 REBAR SPACED 6" O.C.



WEIGHT=5408 LBS.

SHEET 1 OF 3

FDOT TYPE 5 LEFT CURB INLET TOP

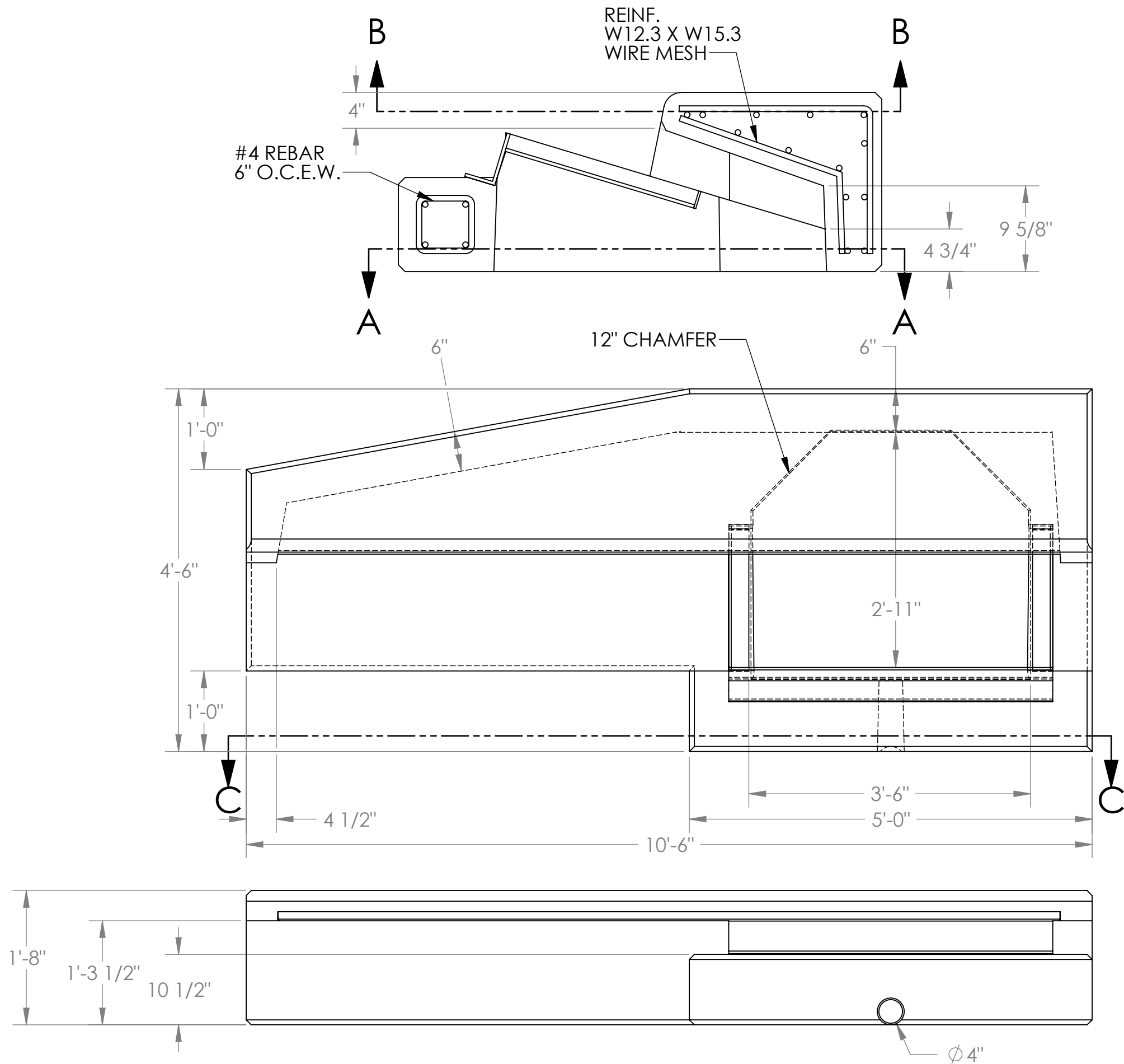


NOTES

CONCRETE SPECS
4,000 PSI @ 28 DAYS
TYPE II CEMENT
REF. FDOT INDEX 211

FRAME & GRATE
U.S.F. 5160-6310

STANDARDS
REINF. W12.3 X W15.3 WIRE MESH
#4 REBAR SPACED 6" O.C.





NOTES

CONCRETE SPECS

4,000 PSI @ 28 DAYS

TYPE II CEMENT

REF. FDOT INDEX 211

FRAME & GRATE

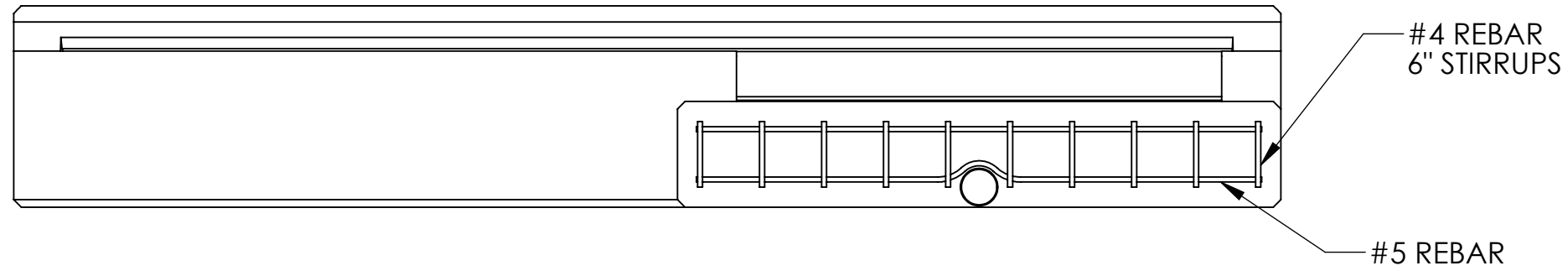
U.S.F. 5160-6310

STANDARDS

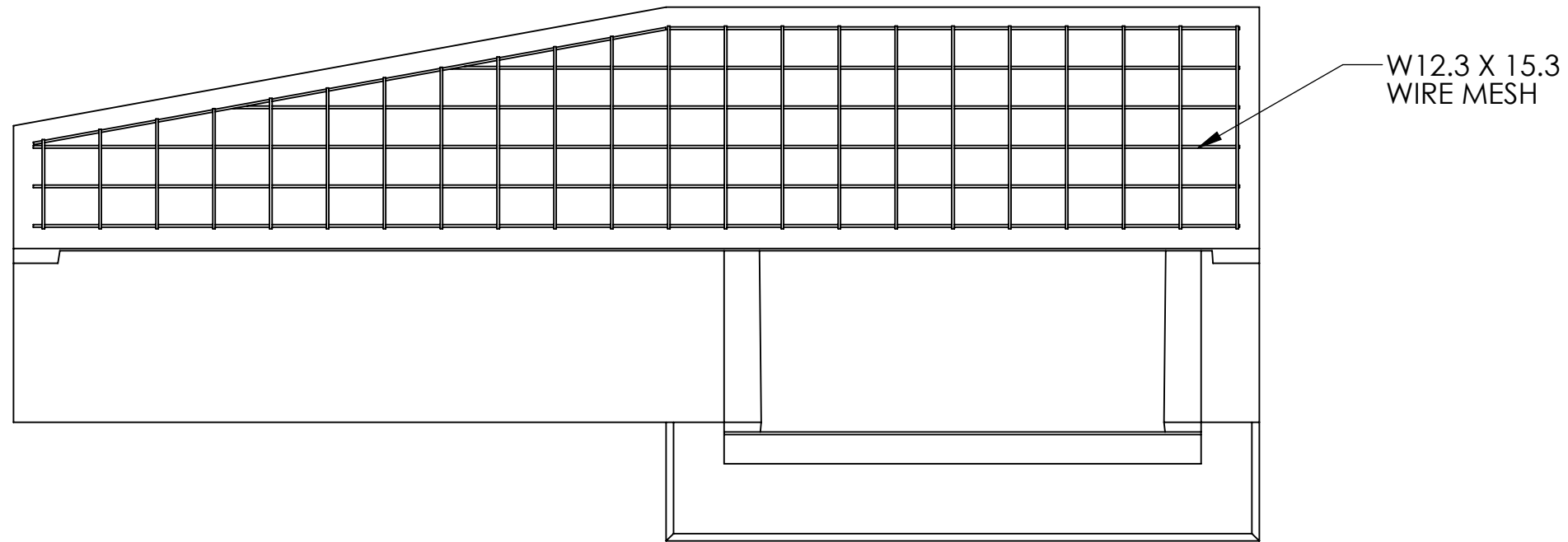
REINF. W12.3 X W15.3 WIRE MESH

#4 REBAR SPACED 6" O.C.

SECTION C



SECTION B



SECTION A

