

FOR ALL YOUR STORM & SANITARY NEEDS



PH: (239)482-7468
FX: (239)482-7469

P.O. BOX 370
ESTERO, FL. 33928

NOTES

CONCRETE SPECS

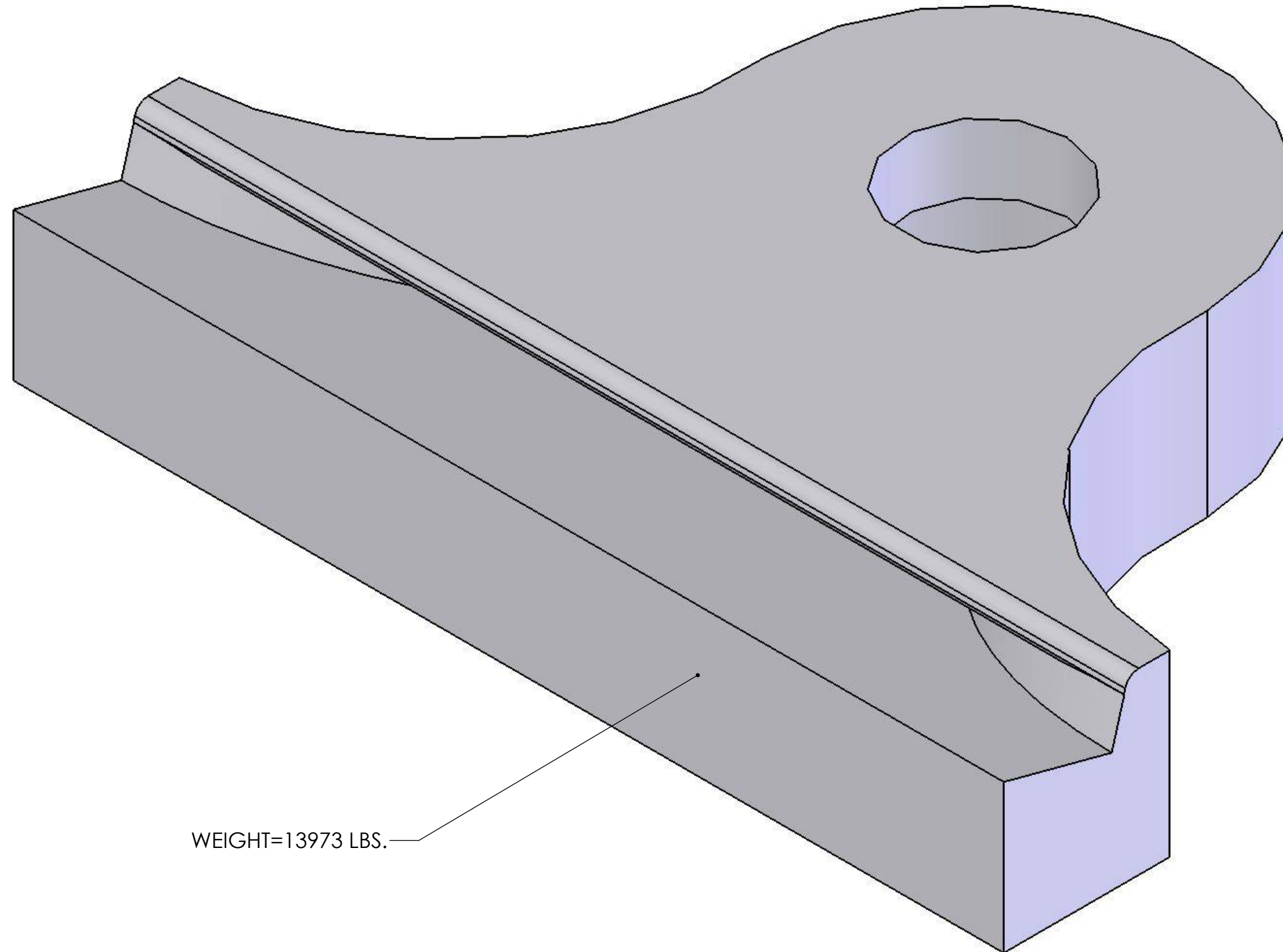
4,000 PSI @ 28 DAYS
TYPE II CEMENT
REF. FDOT INDEX 210

RING & COVER

U.S.F. 1182

STANDARDS

REINF. W4.5 X W2.0 WIRE MESH
#6 REBAR SPACED 8" O.C.



WEIGHT=13973 LBS.

SHEET 1 OF 3

FDOT TYPE 4 CURB INLET TOP

FOR ALL YOUR STORM & SANITARY NEEDS



PH: (239)482-7468
FX: (239)482-7469

COASTAL PRECAST
of Florida

P.O. BOX 370
ESTERO, FL. 33928

NOTES

CONCRETE SPECS

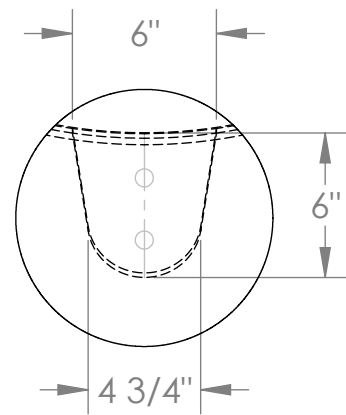
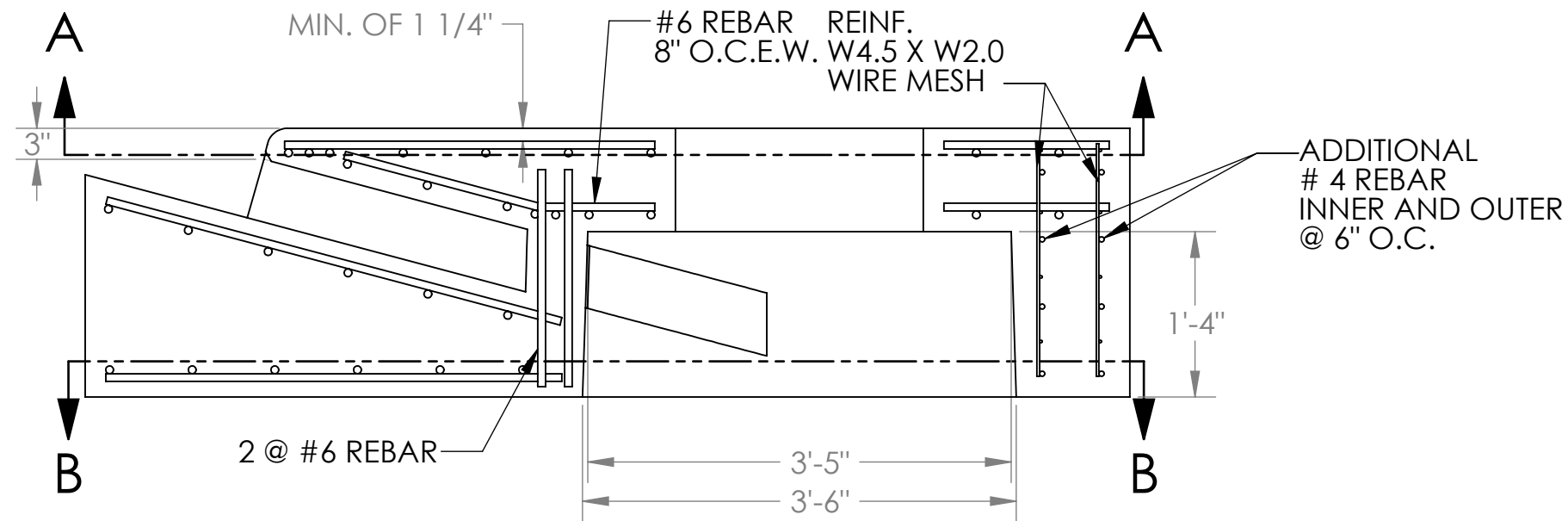
4,000 PSI @ 28 DAYS
TYPE II CEMENT
REF. FDOT INDEX 210

RING & COVER

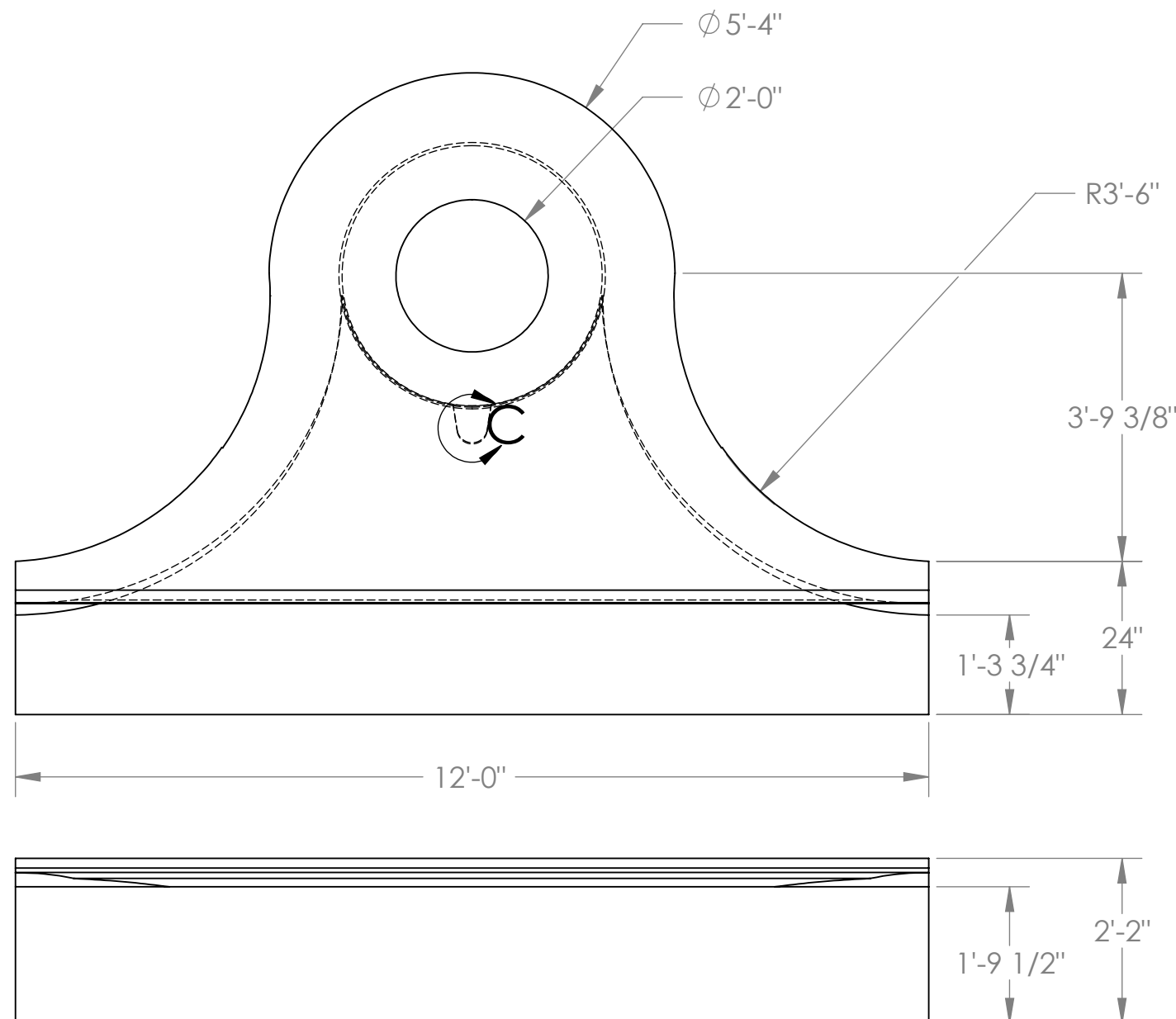
U.S.F. 1182

STANDARDS

REINF. W4.5 X W2.0 WIRE MESH
#6 REBAR SPACED 8" O.C.



DETAIL C



SHEET 2 OF 3

FDOT TYPE 4 CURB INLET TOP



NOTES

CONCRETE SPECS

4,000 PSI @ 28 DAYS
TYPE II CEMENT
REF. FDOT INDEX 210

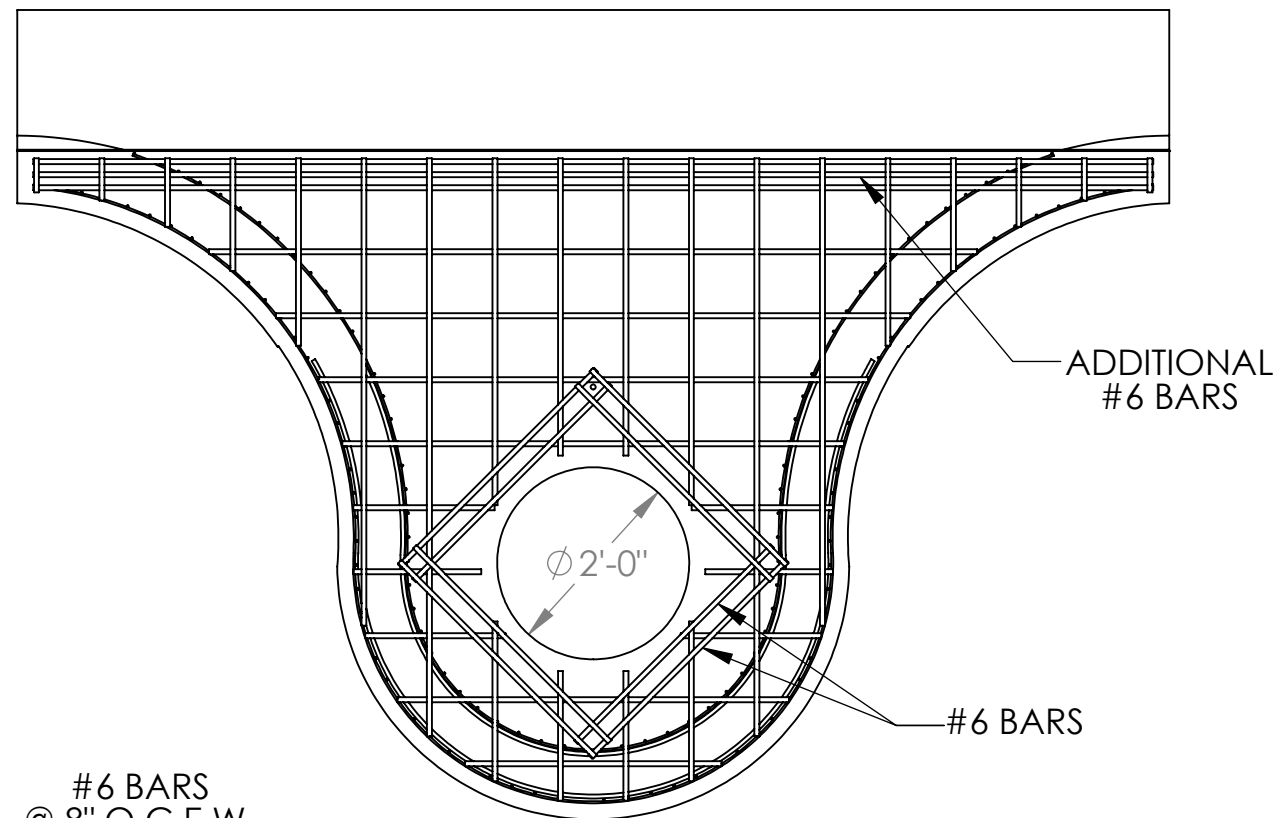
RING & COVER

U.S.F. 1182

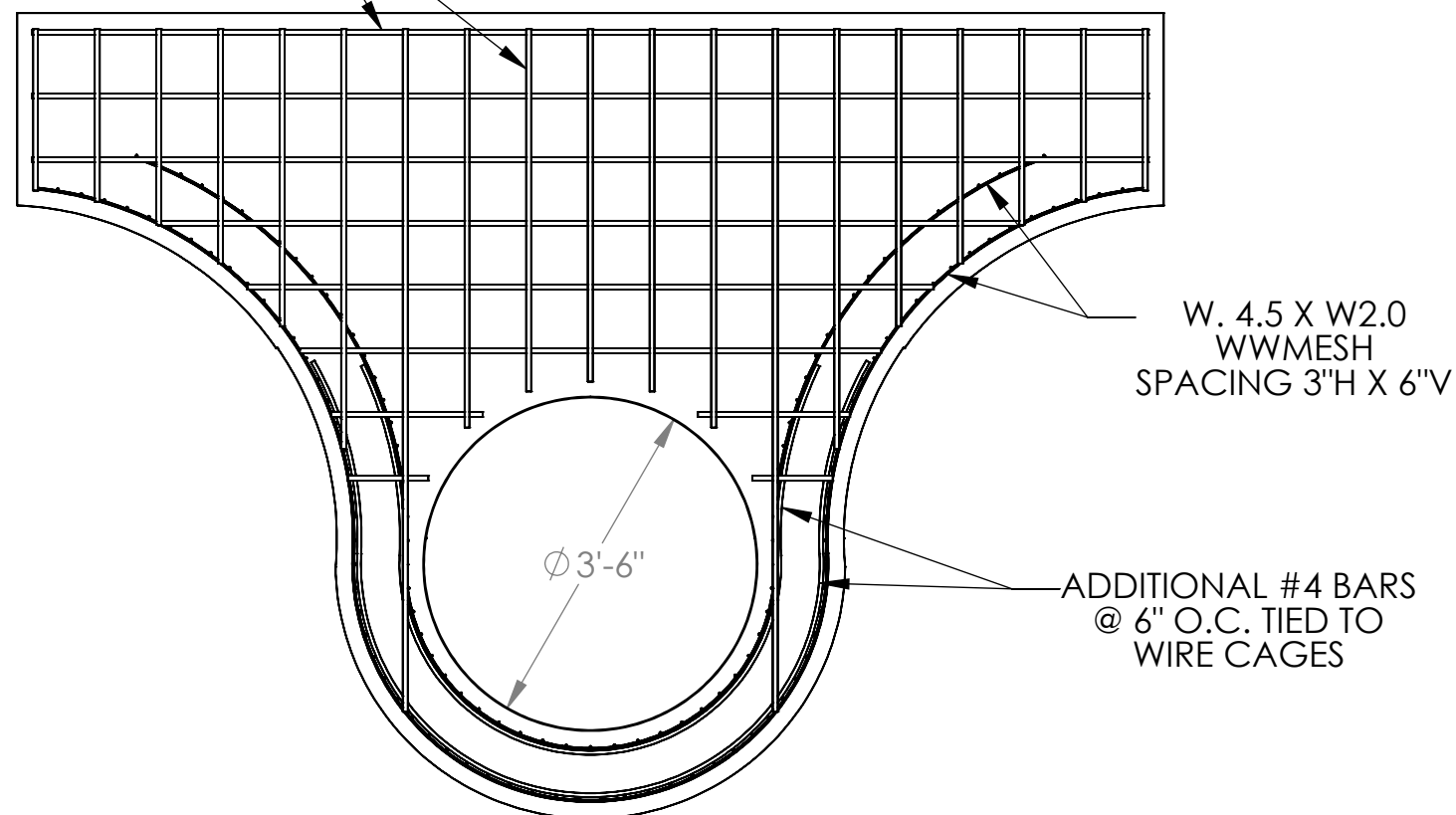
STANDARDS

REINF. W4.5 X W2.0 WIRE MESH
#6 REBAR SPACED 8" O.C.

SECTION A



SECTION B



FDOT TYPE 4 CURB INLET TOP