

FOR ALL YOUR STORM & SANITARY NEEDS



PH: (239)482-7468

FX: (239)482-7469

COASTAL PRECAST  
*of Florida*

P.O. BOX 370  
ESTERO, FL. 33928

## NOTES

### CONCRETE SPECS

4,000 PSI @ 28 DAYS

TYPE II CEMENT

REF. FDOT INDEX 210

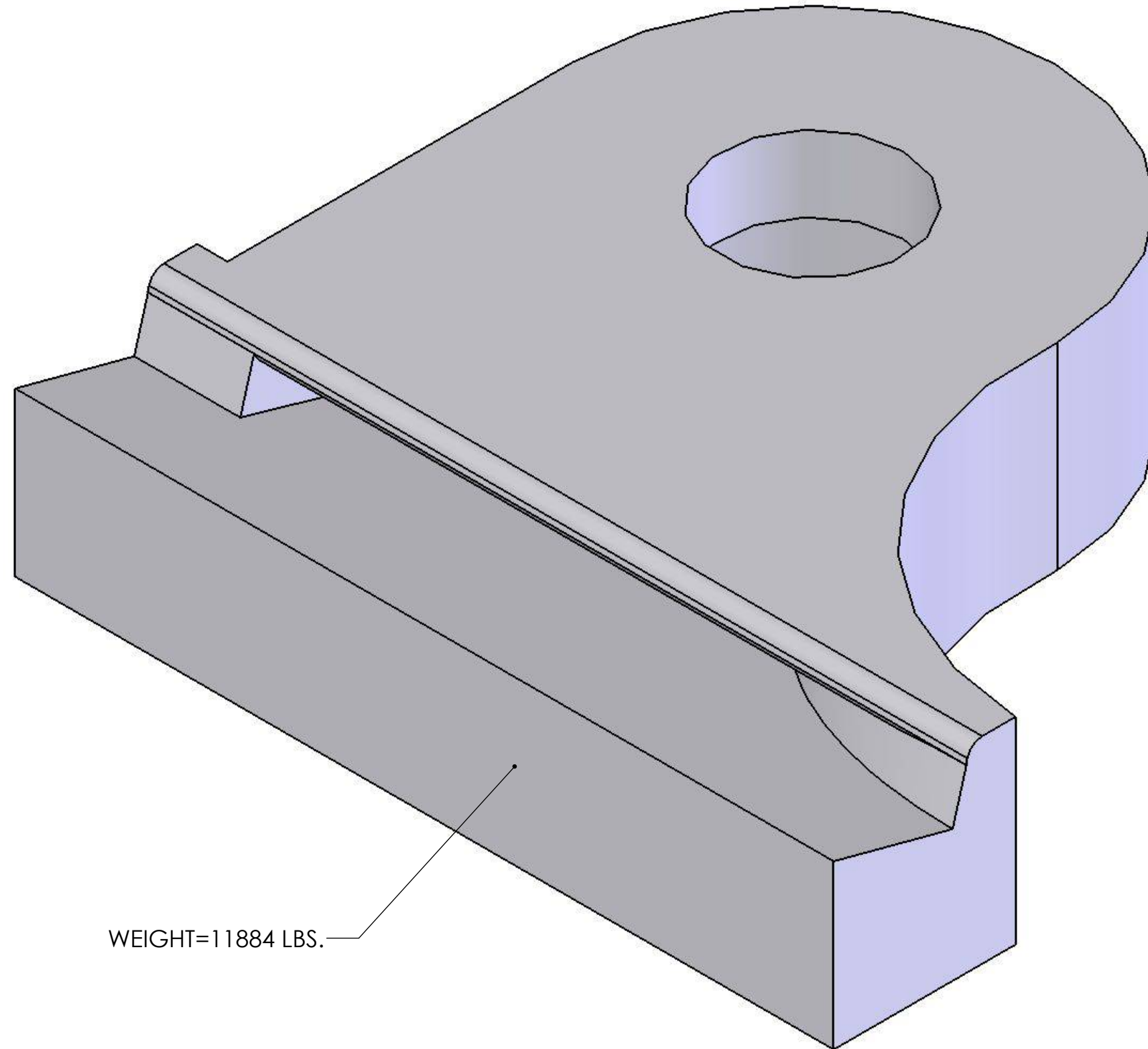
### RING & COVER

U.S.F. 1182

### STANDARDS

REINF. W4.5 X W2.0 WIRE MESH

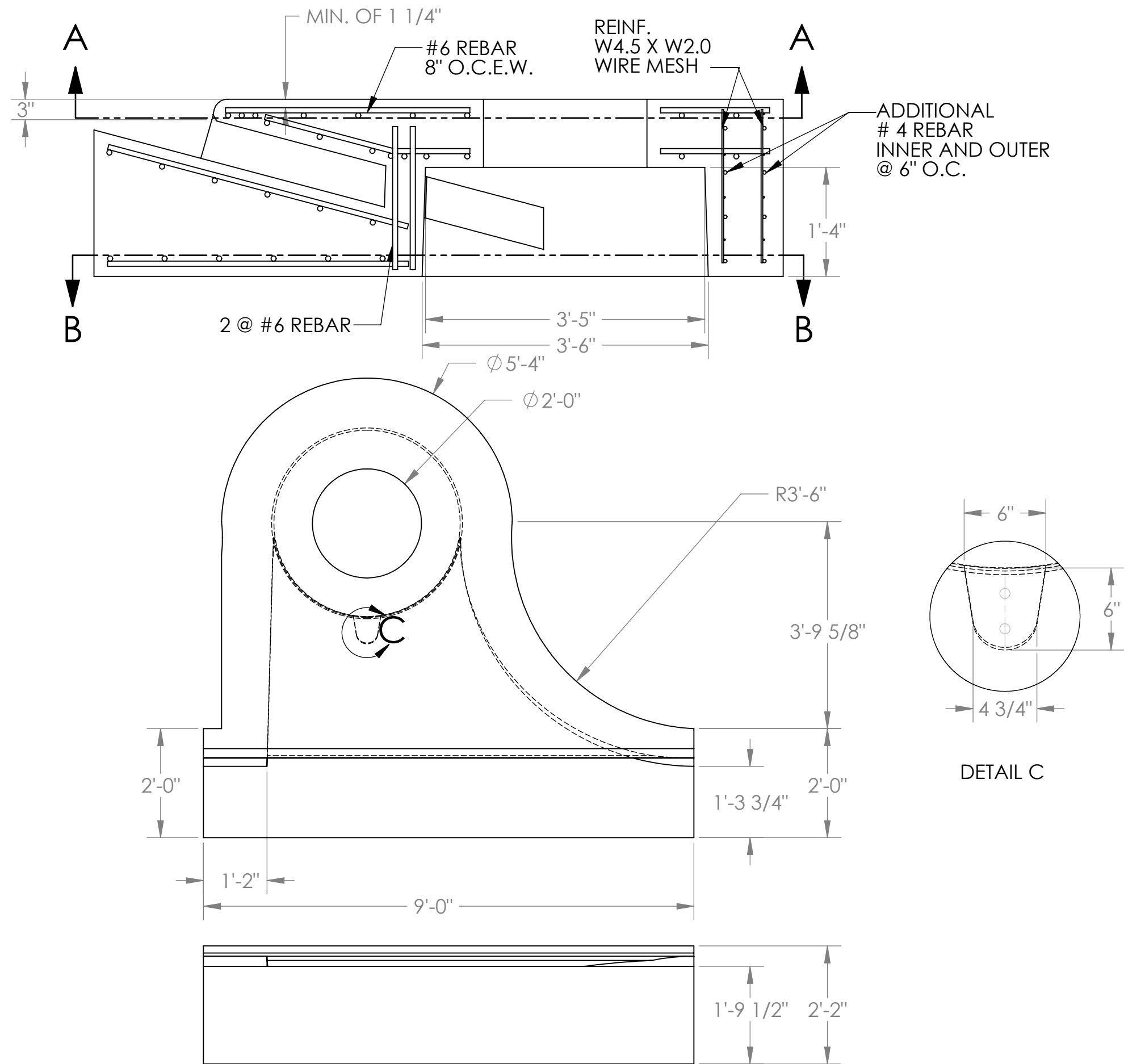
#6 REBAR SPACED 8" O.C.



WEIGHT=11884 LBS.

SHEET 1 OF 3

**FDOT TYPE 3 RIGHT  
CURB INLET TOP**



**FOR ALL YOUR STORM & SANITARY NEEDS**



PH: (239)482-7468  
 FX: (239)482-7469

**P.O. BOX 370**  
**ESTERO, FL. 33928**

**NOTES**

**CONCRETE SPECS**

4,000 PSI @ 28 DAYS  
 TYPE II CEMENT  
 REF. FDOT INDEX 210

**RING & COVER**

U.S.F. 1182

**STANDARDS**

REINF. W4.5 X W2.0 WIRE MESH  
 #6 REBAR SPACED 8" O.C.

SHEET 2 OF 3

**FDOT TYPE 3 RIGHT CURB INLET TOP**



### NOTES

#### CONCRETE SPECS

4,000 PSI @ 28 DAYS  
TYPE II CEMENT  
REF. FDOT INDEX 210

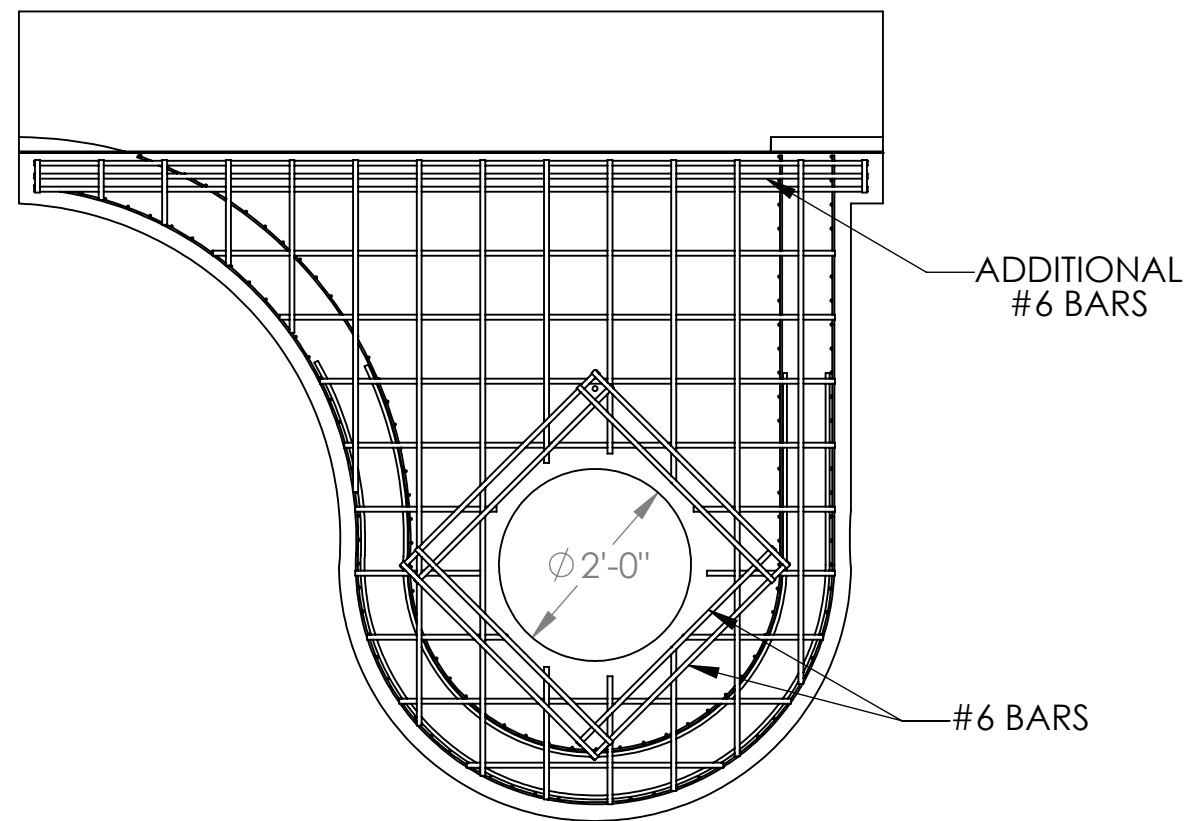
#### RING & COVER

U.S.F. 1182

#### STANDARDS

REINF. W4.5 X W2.0 WIRE MESH  
#6 REBAR SPACED 8" O.C.

### SECTION A



### SECTION B

