

FOR ALL YOUR STORM & SANITARY NEEDS



PH: (239)482-7468

FX: (239)482-7469

COASTAL PRECAST  
*of Florida*

P.O. BOX 370  
ESTERO, FL. 33928

## NOTES

### CONCRETE SPECS

4,000 PSI @ 28 DAYS

TYPE II CEMENT

REF. FDOT INDEX 210

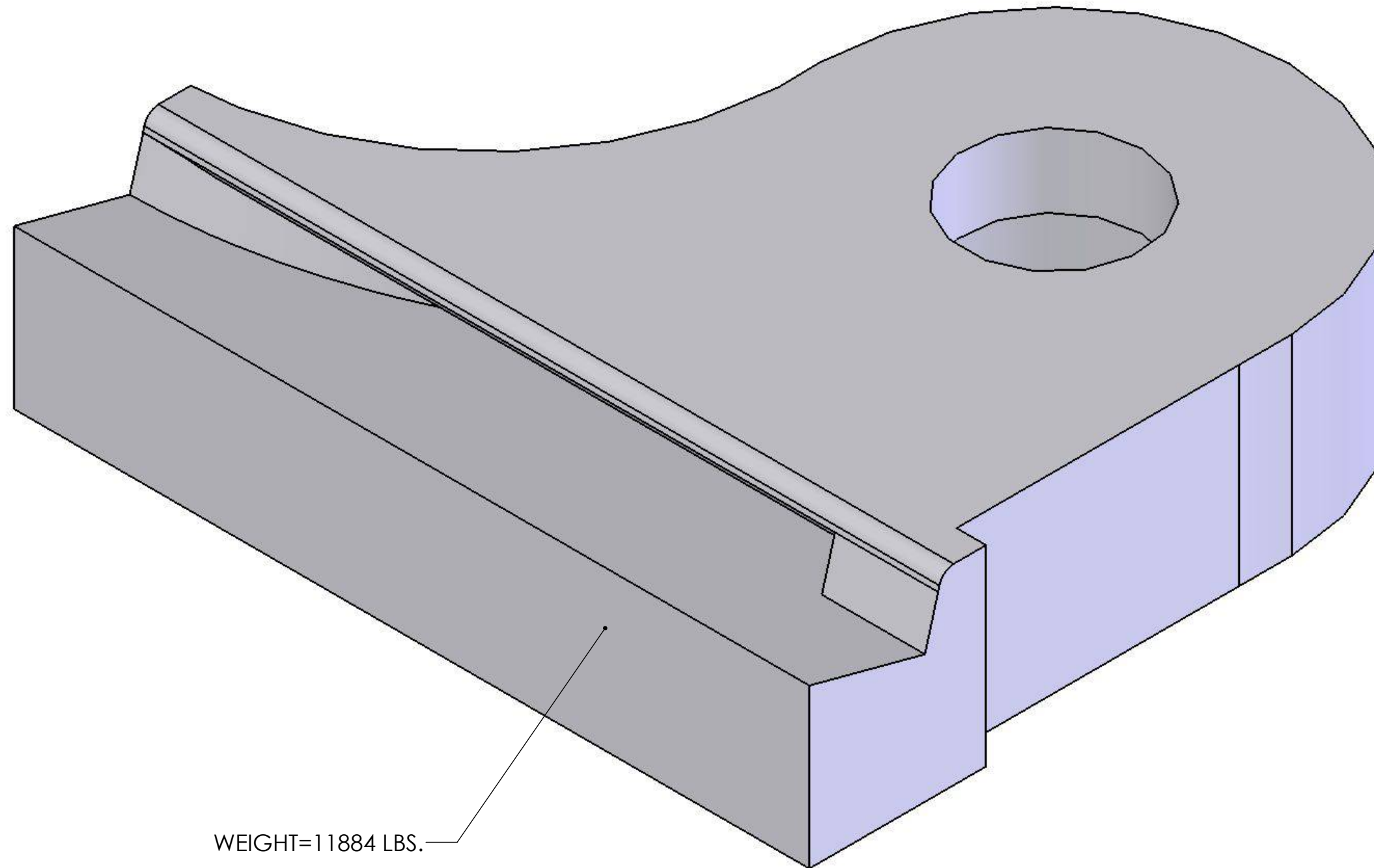
### RING & COVER

U.S.F. 1182

### STANDARDS

REINF. W4.5 X W2.0 WIRE MESH

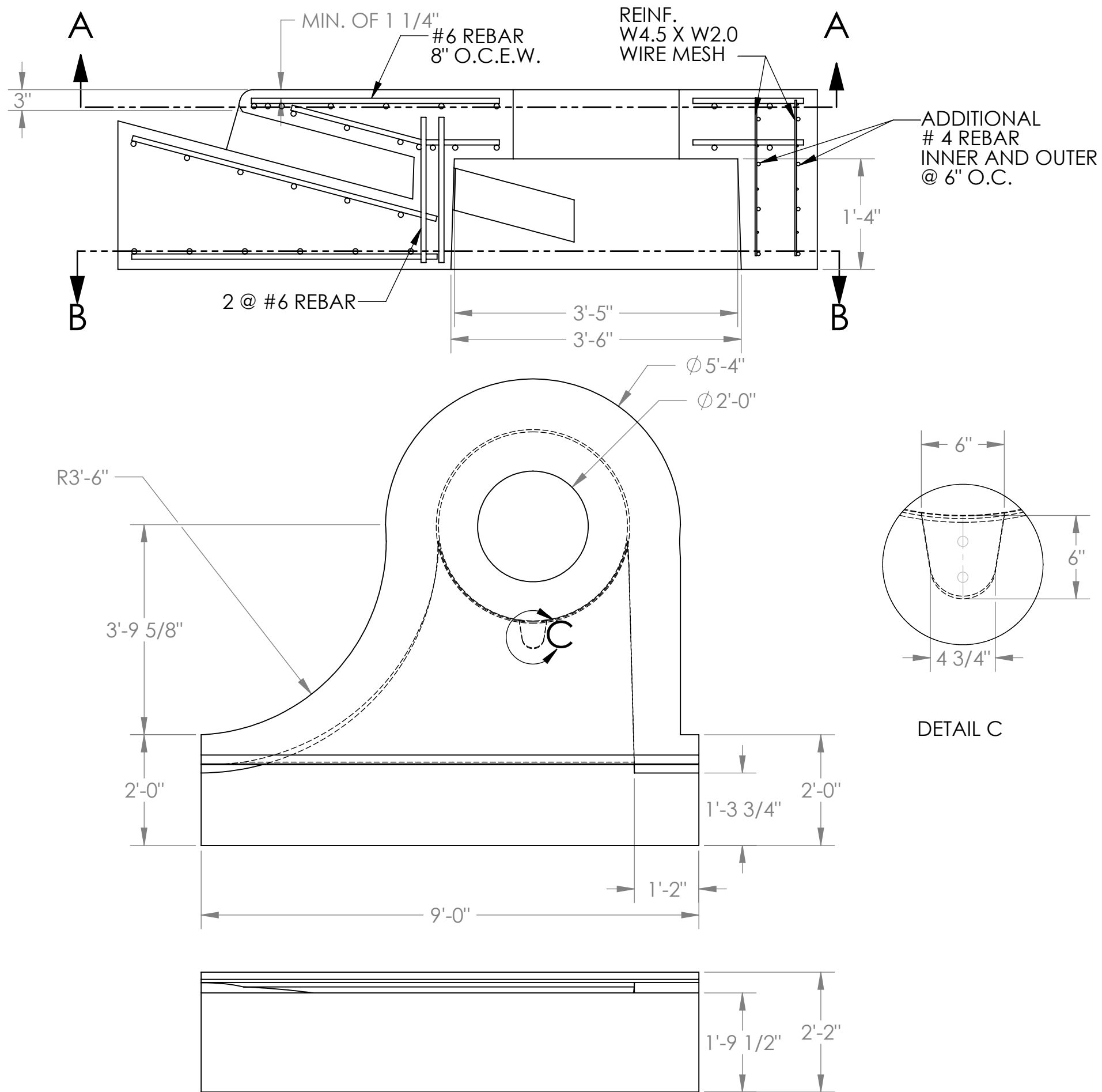
#6 REBAR SPACED 8" O.C.



WEIGHT=11884 LBS.

SHEET 1 OF 3

# FDOT TYPE 3 LEFT CURB INLET TOP



FOR ALL YOUR STORM & SANITARY NEEDS



PH: (239) 482-7468  
FX: (239) 482-7469

COASTAL PREGAST  
of Florida

P.O. BOX 370  
ESTERO, FL. 33928

## NOTES

### CONCRETE SPECS

4,000 PSI @ 28 DAYS  
TYPE II CEMENT  
REF. FDOT INDEX 210

### RING & COVER

U.S.F. 1182

### STANDARDS

REINF. W4.5 X W2.0 WIRE MESH  
#6 REBAR SPACED 8" O.C.

SHEET 2 OF 3

# FDOT TYPE 3 LEFT CURB INLET TOP



## NOTES

### CONCRETE SPECS

4,000 PSI @ 28 DAYS  
TYPE II CEMENT  
REF. FDOT INDEX 210

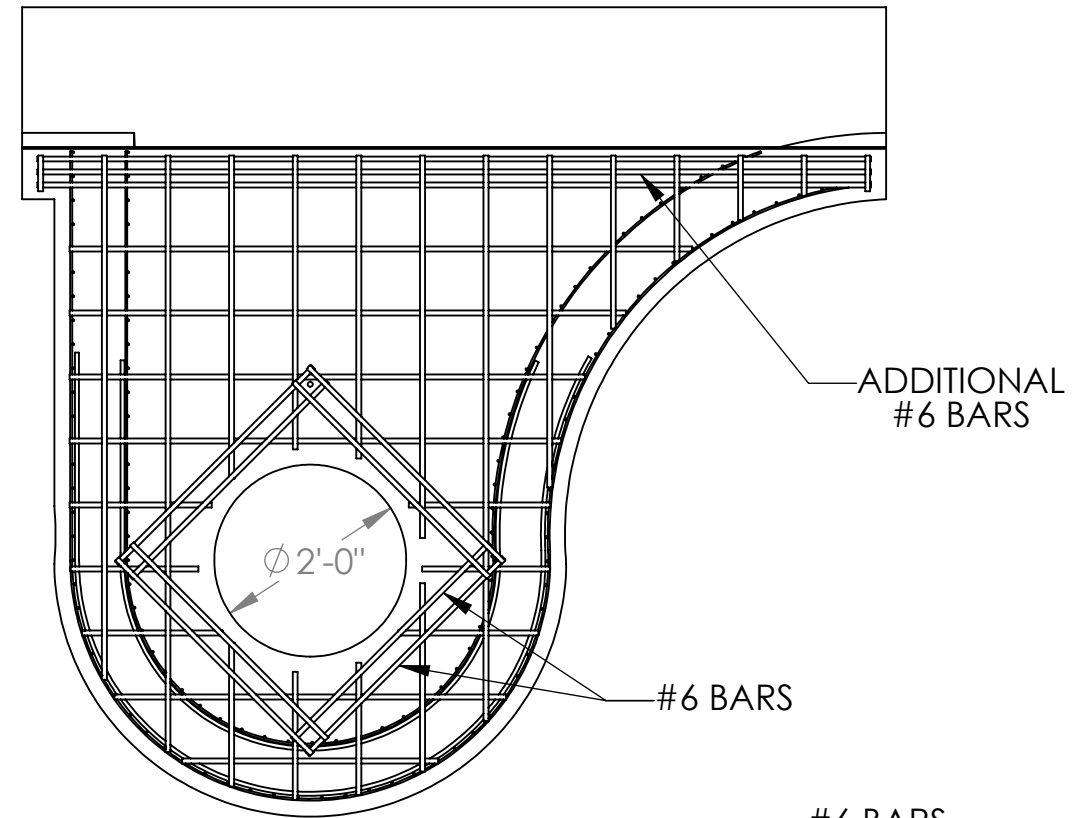
### RING & COVER

U.S.F. 1182

### STANDARDS

REINF. W4.5 X W2.0 WIRE MESH  
#6 REBAR SPACED 8" O.C.

### SECTION A



### SECTION B

