

FOR ALL YOUR STORM & SANITARY NEEDS



PH: (239)482-7468

FX: (239)482-7469

COASTAL PRECAST
of Florida

P.O. BOX 370
ESTERO, FL. 33928

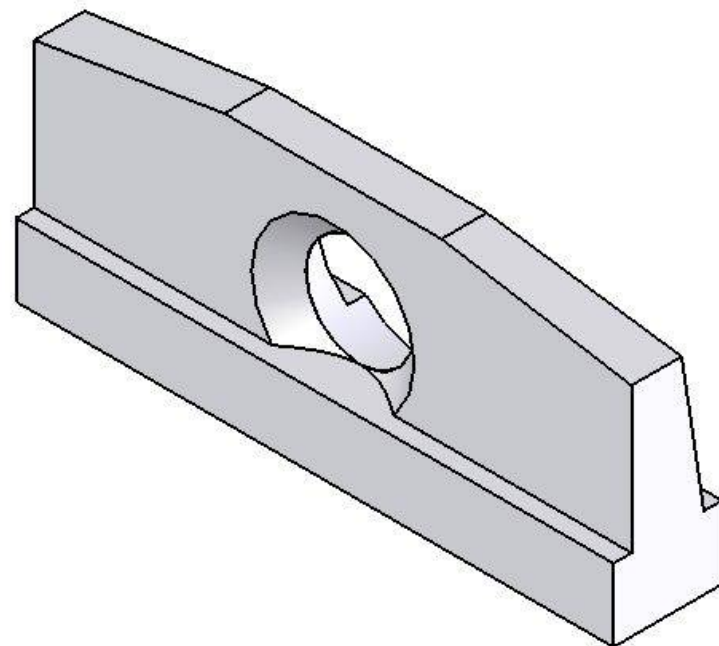
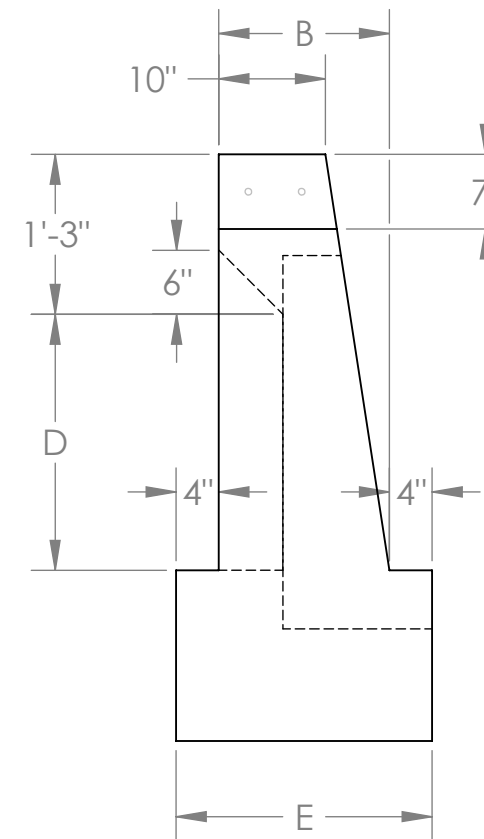
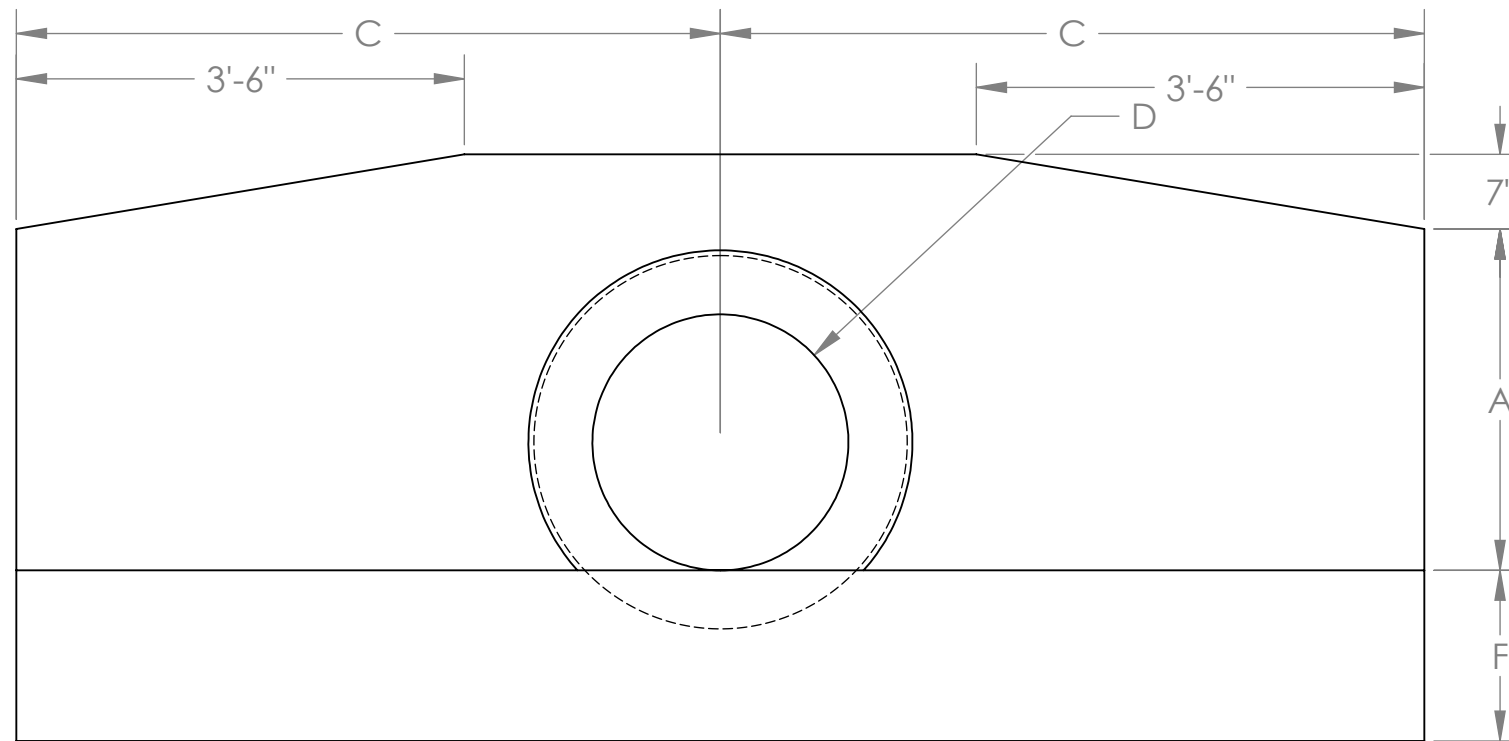
NOTES

CONCRETE SPECS

4,000 PSI @ 28 DAYS

TYPE II CEMENT

REINF. REF. FDOT INDEX 250



STR. PIPE SIZE	A	B	C	D	E	F	WEIGHT
15"	1'-11"	1'-2"	4'-0"	15"	1'-10"	1'-2"	2015 LBS.
18"	2'-2"	1'-3"	4'-6"	18"	1'-11"	1'-3"	2600 LBS.
24"	2'-8"	1'-4"	5'-6"	24"	2'-0"	1'-4"	3696 LBS.
30"	3'-2"	1'-6"	6'-6"	30"	2'-2"	1'-6"	5406 LBS.
36"	3'-8"	1'-8"	7'-6"	36"	2'-4"	1'-8"	7512 LBS.
42"	4'-2"	1'-10"	8'-6"	42"	2'-6"	2'-0"	10520 LBS.
48"	4'-8"	2'-1"	9'-6"	48"	2'-9"	2'-0"	13535 LBS.
54"	5'-2"	2'-6"	10'-6"	54"	3'-2"	2'-3"	18710 LBS.

FDOT HEADWALLS