

FOR ALL YOUR STORM & SANITARY NEEDS



PH: (239)482-7468

FX: (239)482-7469

COASTAL PREGAST
of Florida

P.O. BOX 370
ESTERO, FL. 33928

NOTES

CONCRETE SPECS

4,000 PSI @ 28 DAYS

TYPE II CEMENT

REINF. REF. FDOT INDEX 200, 201, 221

GRATES

U.S.F. 6651

STANDARDS

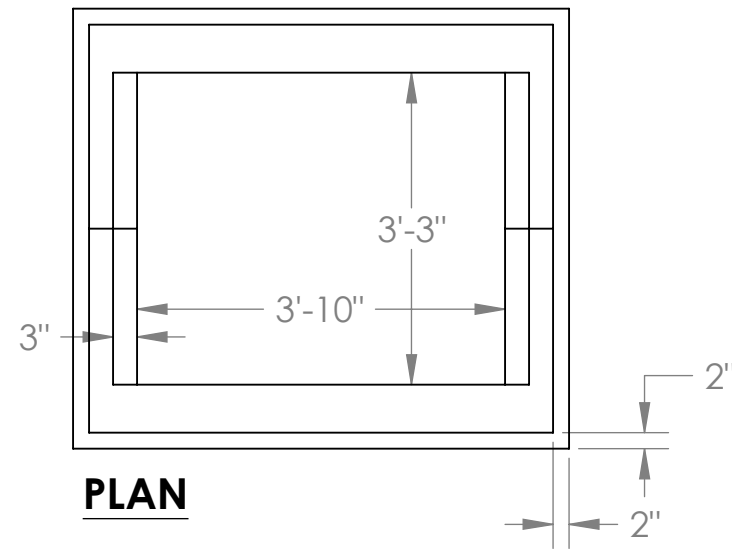
6" WALLS

6" BASE

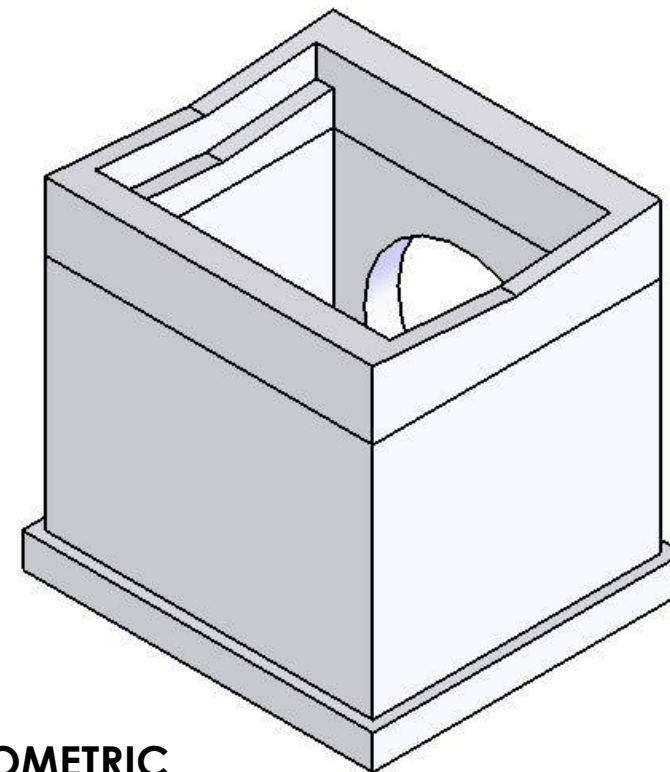
MAX PIPE SIZE

3'-3" WALL - 24" PIPE

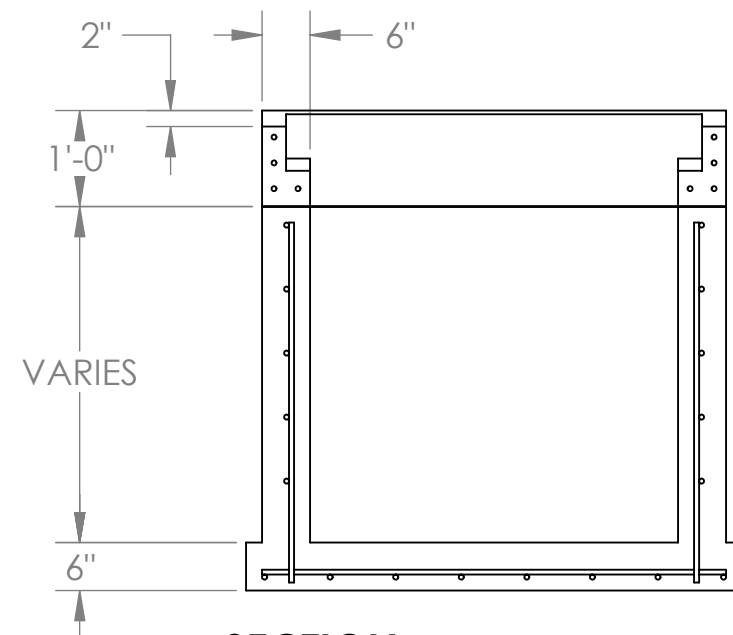
3'-10" WALL - 30" PIPE



PLAN



ISOMETRIC



SECTION

FDOT TYPE "V" GUTTER INLET