

FOR ALL YOUR STORM & SANITARY NEEDS



PH: (239)482-7468

FX: (239)482-7469

COASTAL PRECAST  
*of Florida*

P.O. BOX 370  
ESTERO, FL. 33928

## NOTES

### CONCRETE SPECS

4,000 PSI @ 28 DAYS

TYPE II CEMENT

REINF. REF. FDOT INDEX 200, 201, 220

### GRATES

U.S.F. 6652

### STANDARDS

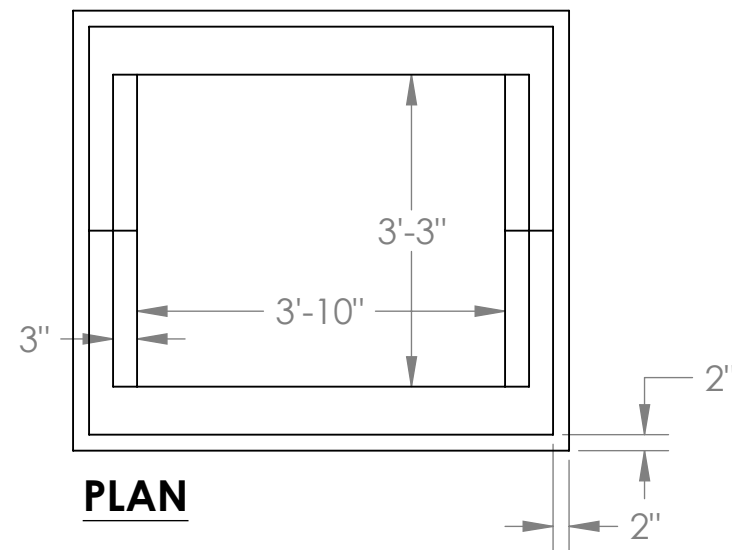
6" WALLS

6" BASE

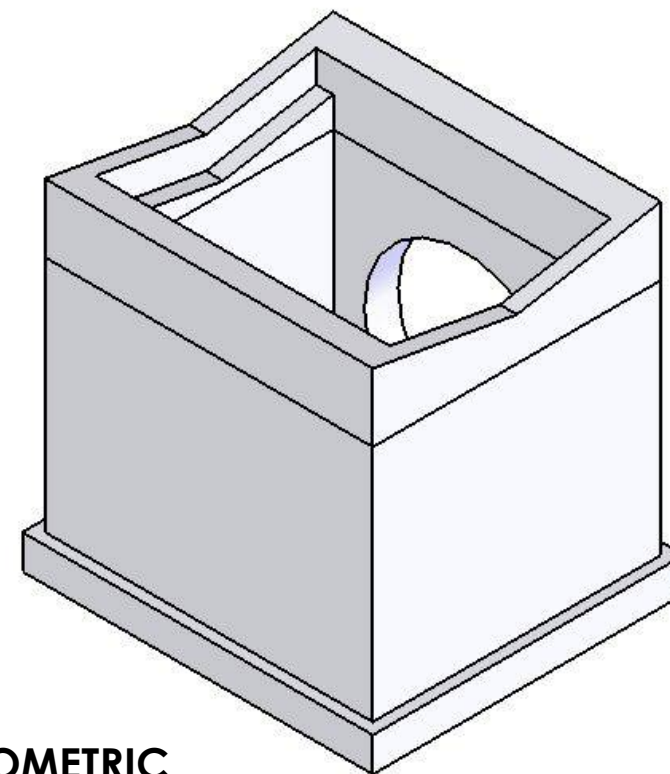
### MAX PIPE SIZE

3'-3" WALL - 24" PIPE

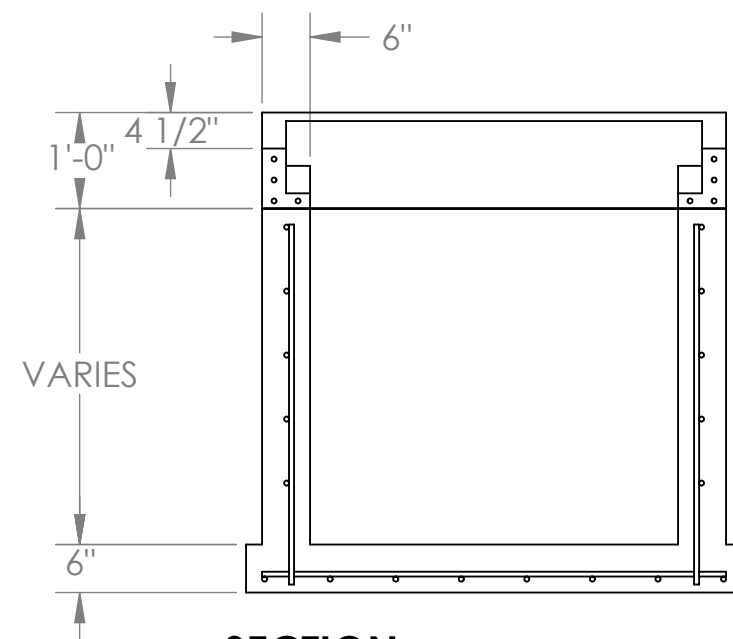
3'-10" WALL - 30" PIPE



**PLAN**



**ISOMETRIC**



**SECTION**

# FDOT TYPE "S" GUTTER INLET