

FOR ALL YOUR STORM & SANITARY NEEDS



PH: (239)482-7468

FX: (239)482-7469

COASTAL PRECAST
of Florida

P.O. BOX 370
ESTERO, FL. 33928

NOTES

CONCRETE SPECS

4,000 PSI @ 28 DAYS

TYPE II CEMENT

REINF. REF. FDOT INDEX 200, 201, 233

GRATES

U.S.F. 6661 STEEL TRAFFIC

U.S.F. 6660 STEEL NON-TRAFFIC

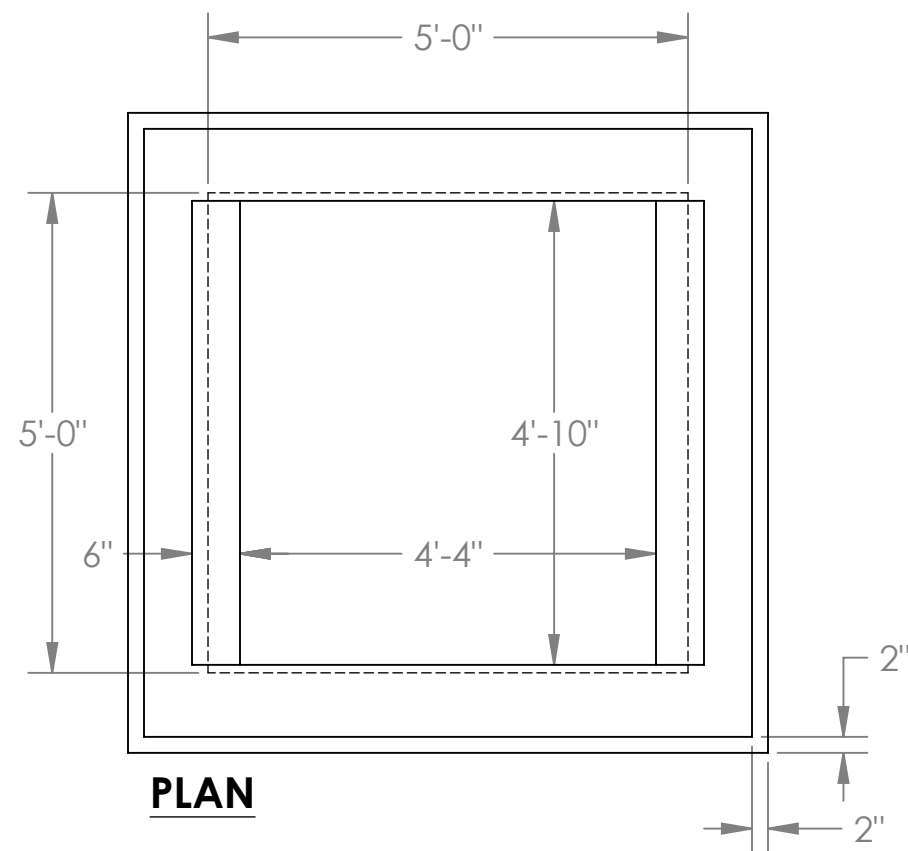
STANDARDS

8" WALLS

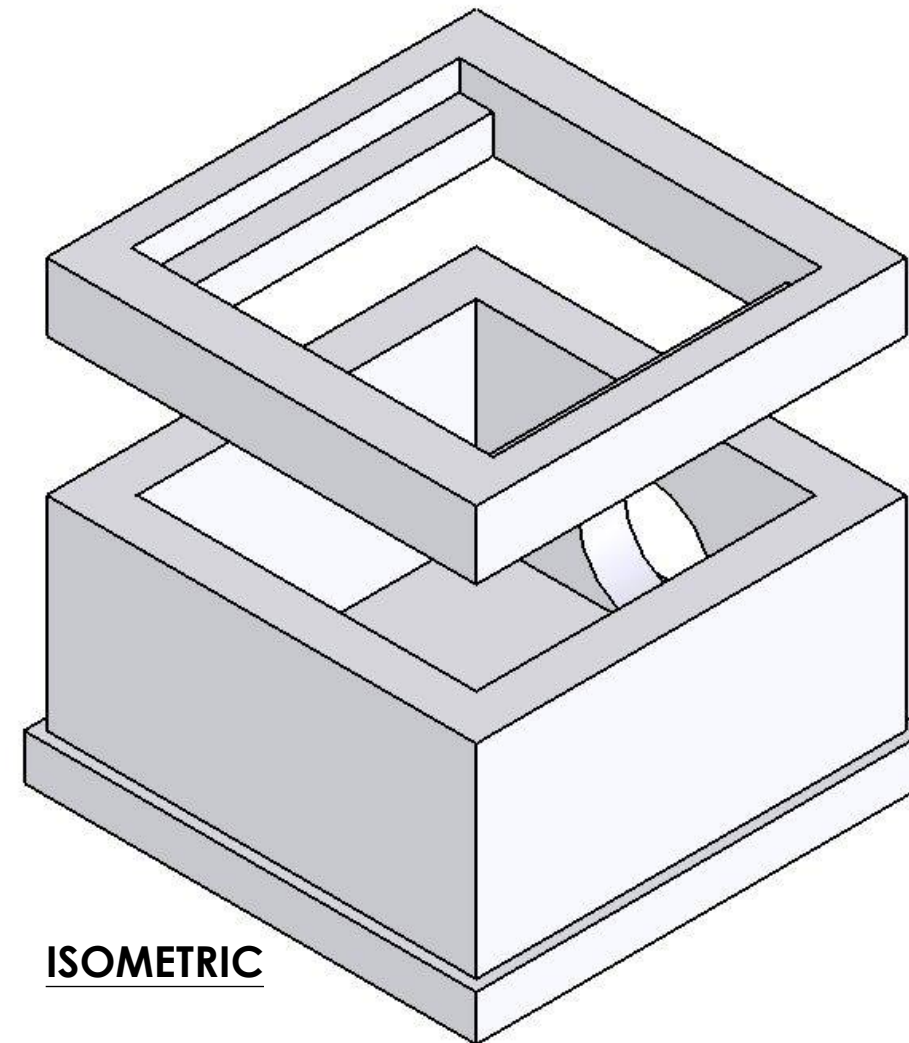
8" BASE

MAX PIPE SIZE

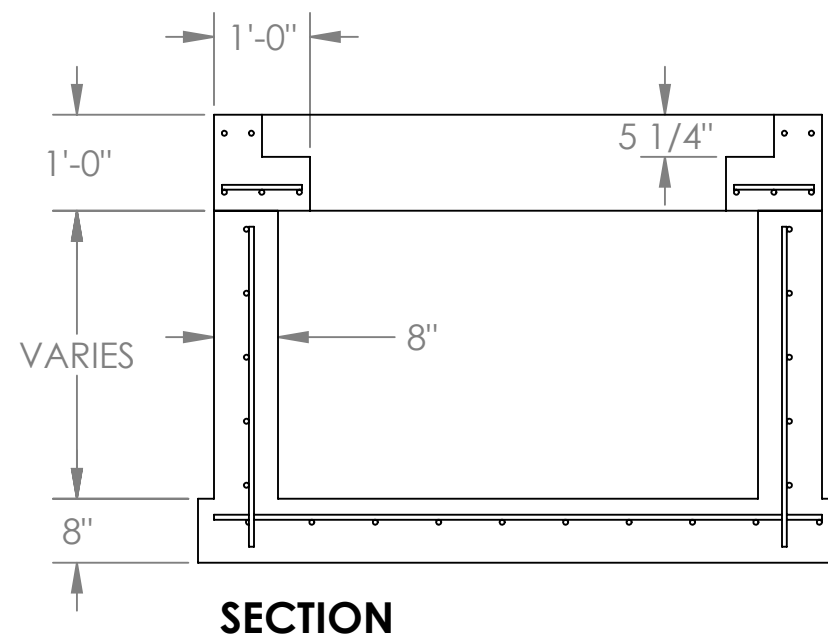
5'-0" WALL - 42" PIPE



PLAN



ISOMETRIC



SECTION

FDOT TYPE "G" DITCH BOTTOM INLET