

FOR ALL YOUR STORM & SANITARY NEEDS



PH: (239)482-7468

FX: (239)482-7469

COASTAL PRECAST  
*of Florida*

P.O. BOX 370  
ESTERO, FL. 33928

## NOTES

### CONCRETE SPECS

4,000 PSI @ 28 DAYS

TYPE II CEMENT

REINF. REF. FDOT INDEX 200, 201, 233

### GRATES

U.S.F. 6630 STEEL NON-TRAFFIC

U.S.F. 6631 STEEL TRAFFIC

### STANDARDS

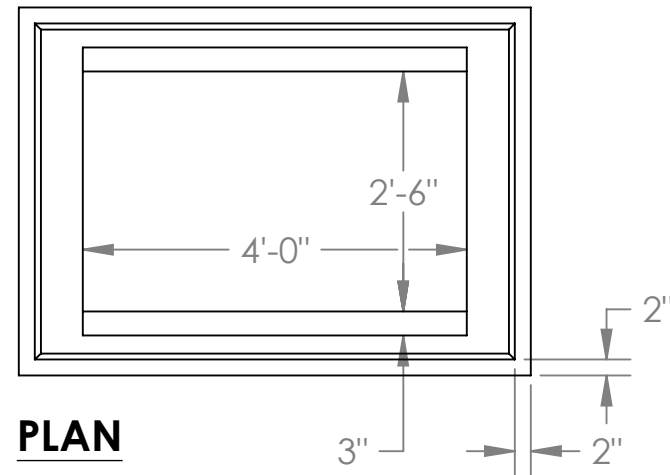
6" OR 8" WALLS

6" OR 8" BASE

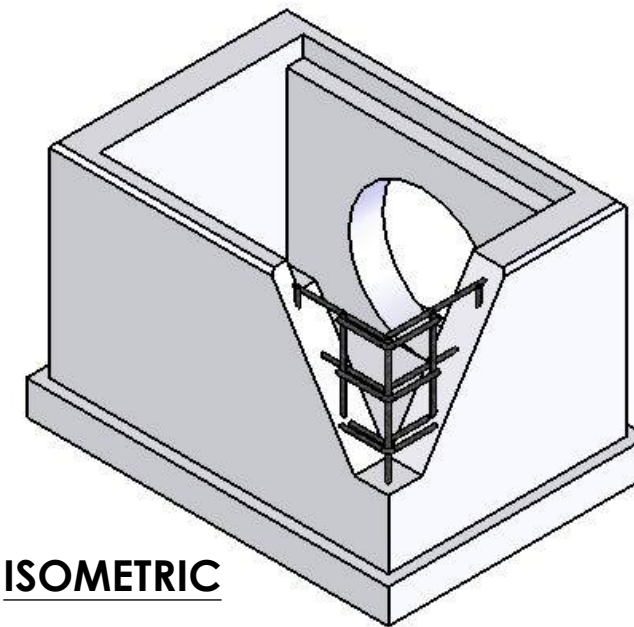
### MAX PIPE SIZE

2'-6" WALL - 18" PIPE

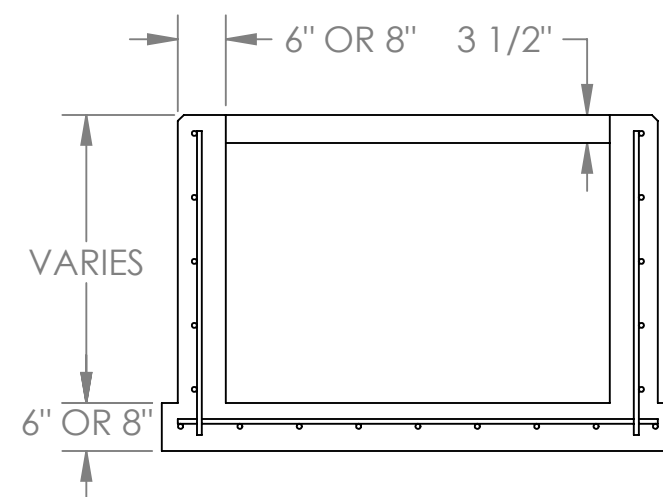
4'-0" WALL - 36" PIPE



**PLAN**



**ISOMETRIC**



**SECTION**

# FDOT TYPE "F" DITCH BOTTOM INLET