

FOR ALL YOUR STORM & SANITARY NEEDS



PH: (239)482-7468

FX: (239)482-7469

COASTAL PRECAST
of Florida

P.O. BOX 370
ESTERO, FL. 33928

NOTES

CONCRETE SPECS

4,000 PSI @ 28 DAYS

TYPE II CEMENT

REINF. REF. FDOT INDEX 200, 201, 232

GRATES

U.S.F. 6607 STEEL NON-TRAFFIC

U.S.F. 6626 STEEL TRAFFIC

STANDARDS

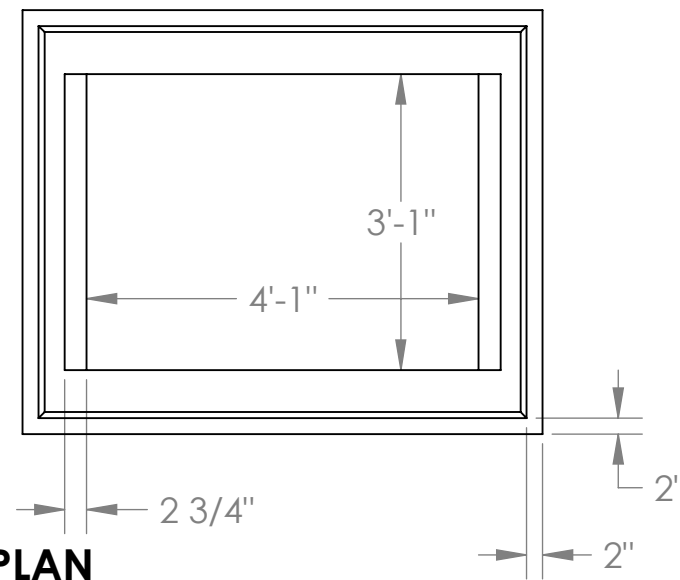
6" OR 8" WALLS

6" OR 8" BASE

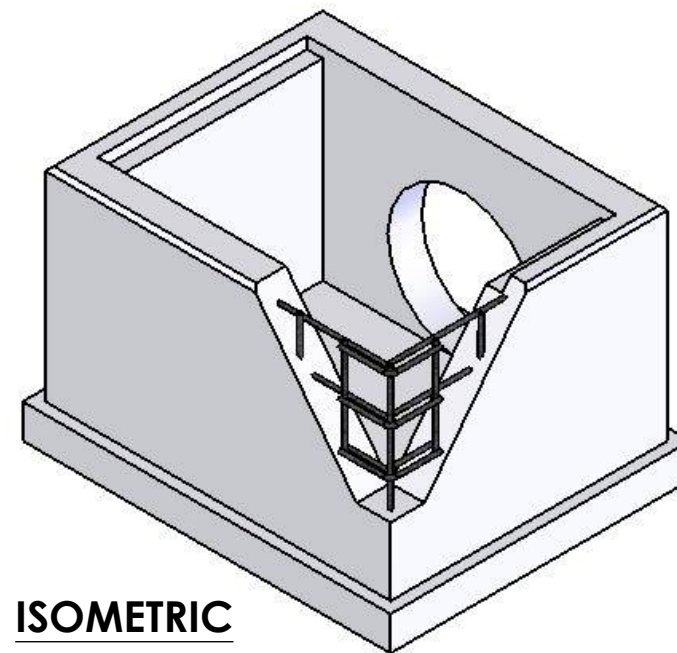
MAX PIPE SIZE

3'-1" WALL - 24" PIPE

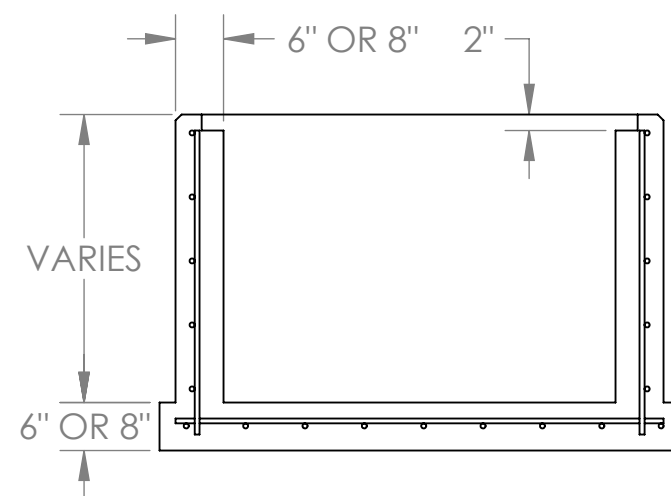
4'-1" WALL - 36" PIPE



PLAN



ISOMETRIC



SECTION

FDOT TYPE "D" DITCH BOTTOM INLET