

FOR ALL YOUR STORM & SANITARY NEEDS



PH: (239)482-7468

FX: (239)482-7469

COASTAL PRECAST
of Florida

P.O. BOX 370
ESTERO, FL. 33928

NOTES

CONCRETE SPECS

4,000 PSI @ 28 DAYS

TYPE II CEMENT

REINF. REF. FDOT INDEX 200, 201, 231

GRATES

U.S.F. 6662 STEEL NON-TRAFFIC
(3 GRATE)

STANDARDS

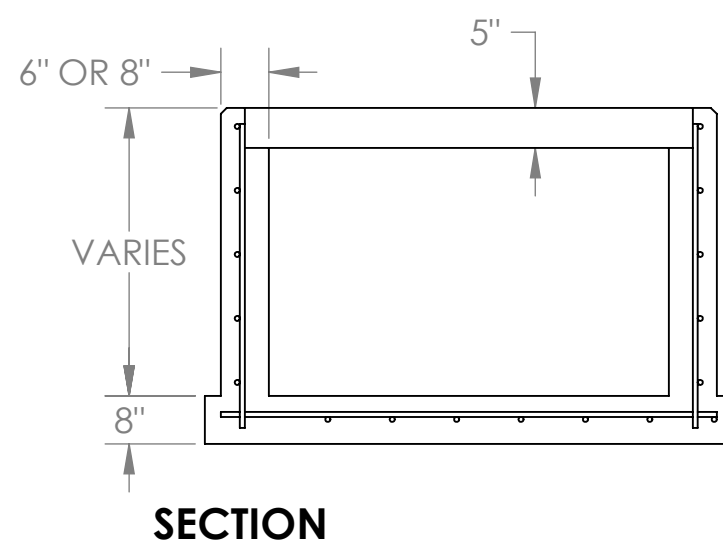
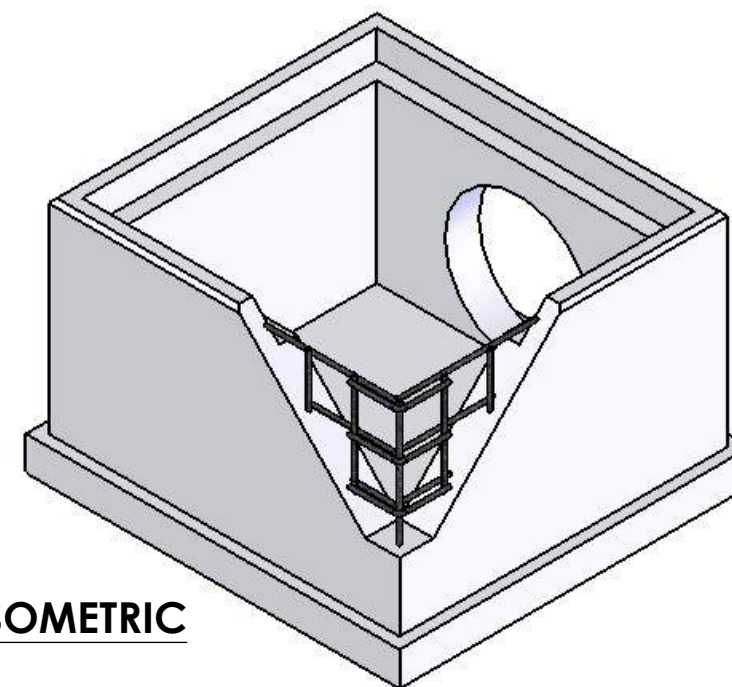
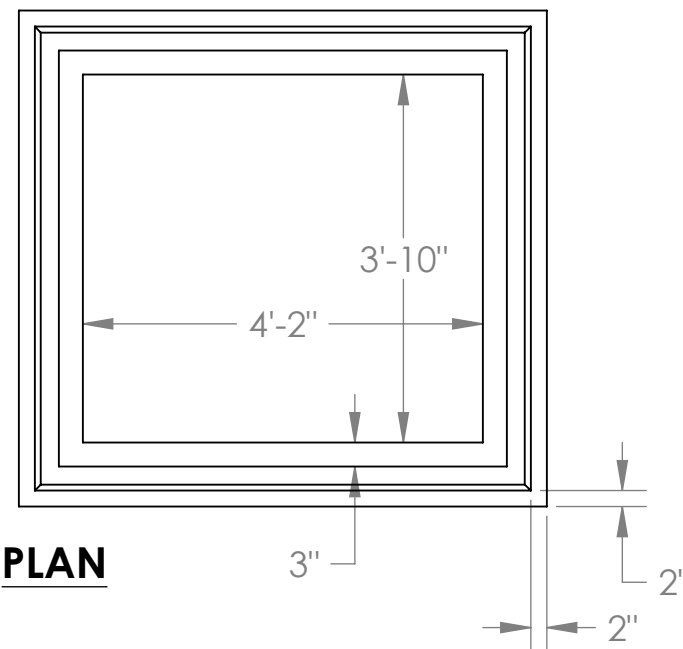
6" OR 8" WALLS

8" BASE

MAX PIPE SIZE

3'-10" WALL - 30" PIPE

4'-2" WALL - 36" PIPE



FDOT TYPE "B" DITCH BOTTOM INLET