

FOR ALL YOUR STORM & SANITARY NEEDS



PH: (239)482-7468
FX: (239)482-7469

COASTAL PRECAST
of Florida

P.O. BOX 370
ESTERO, FL. 33928

NOTES

CONCRETE SPECS

4,000 PSI @ 28 DAYS
TYPE II CEMENT
REINF. REF. FDOT INDEX 200, 201, 230

GRATES

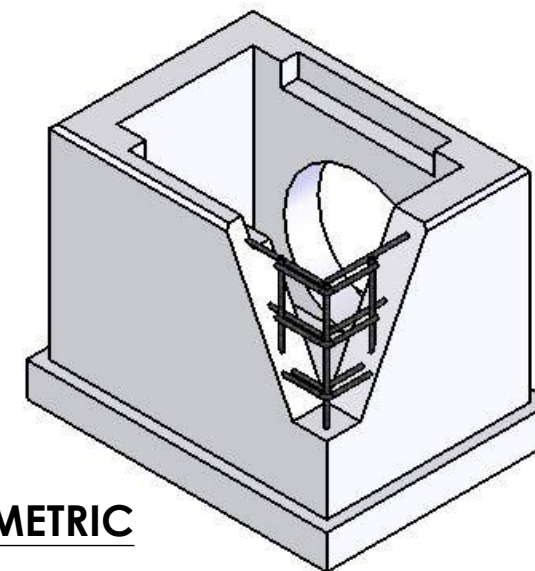
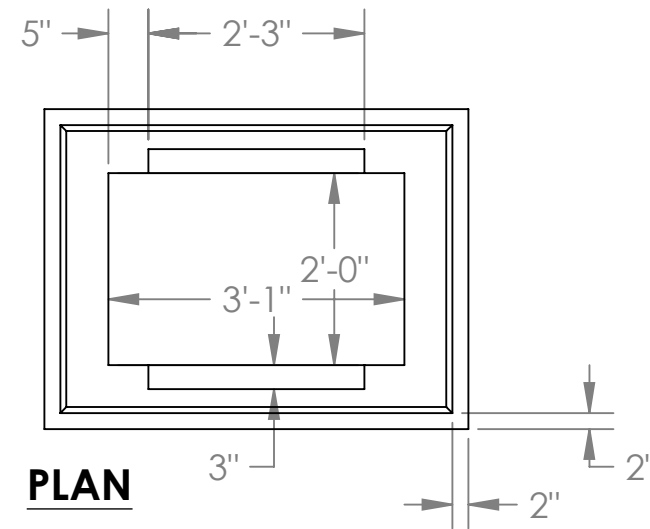
U.S.F. 6600 STEEL NON-TRAFFIC

STANDARDS

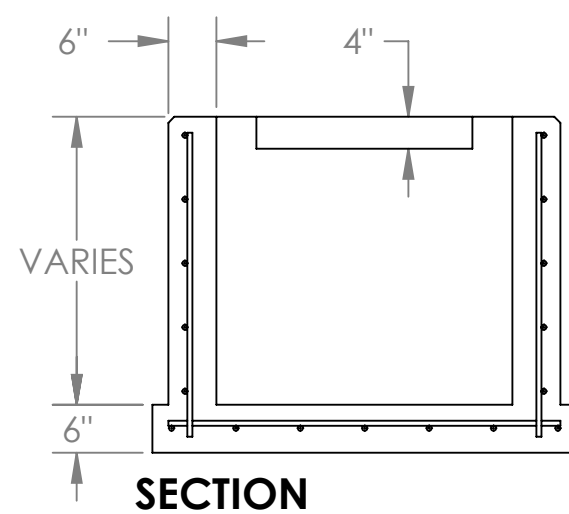
6" WALLS
6" BASE

MAX PIPE SIZE

2'-0" WALL - 18" PIPE
3'-1" WALL - 24" PIPE



ISOMETRIC



FDOT TYPE "A" DITCH BOTTOM INLET