

FOR ALL YOUR STORM & SANITARY NEEDS



PH: (239)482-7468
FX: (239)482-7469

COASTAL PREGAST
of Florida

P.O. BOX 370
ESTERO, FL. 33928

NOTES

CONCRETE SPECS

4,000 PSI @ 28 DAYS

TYPE II CEMENT

REINF. REF. FDOT INDEX 200, 201, 212

STANDARDS

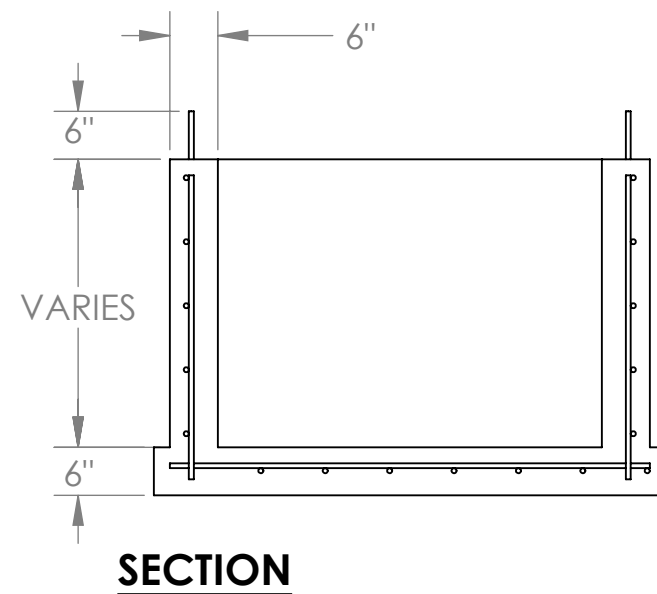
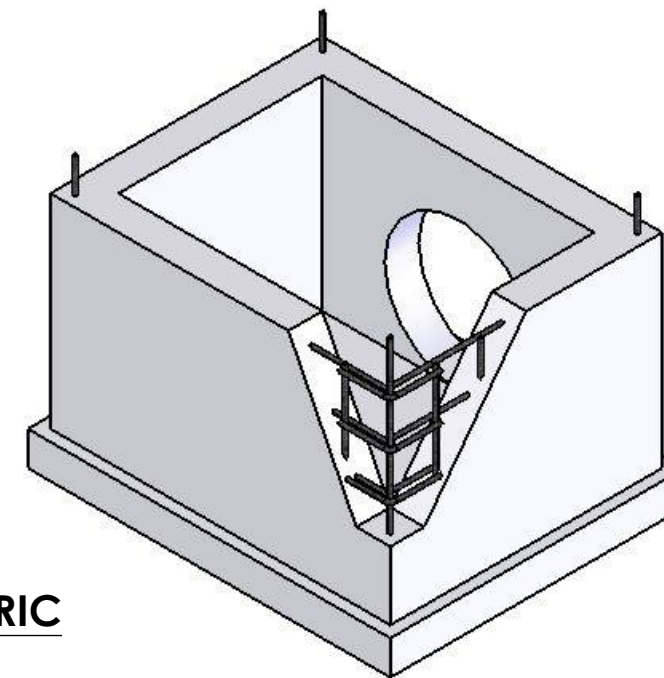
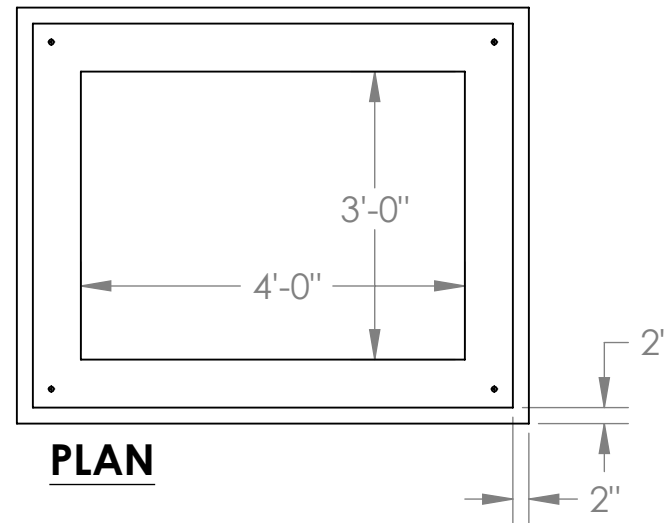
6" WALLS

6" BASE

MAX PIPE SIZE

3'-0" WALL - 24" PIPE

4'-0" WALL - 36" PIPE



FDOT TYPE 7 CURB INLET