

FOR ALL YOUR STORM & SANITARY NEEDS



PH: (239)482-7468  
FX: (239)482-7469

P.O. BOX 370  
ESTERO, FL. 33928

## NOTES

### CONCRETE SPECS

4,000 PSI @ 28 DAYS

TYPE II CEMENT

REINF. REF. FDOT INDEX 253

### STANDARDS

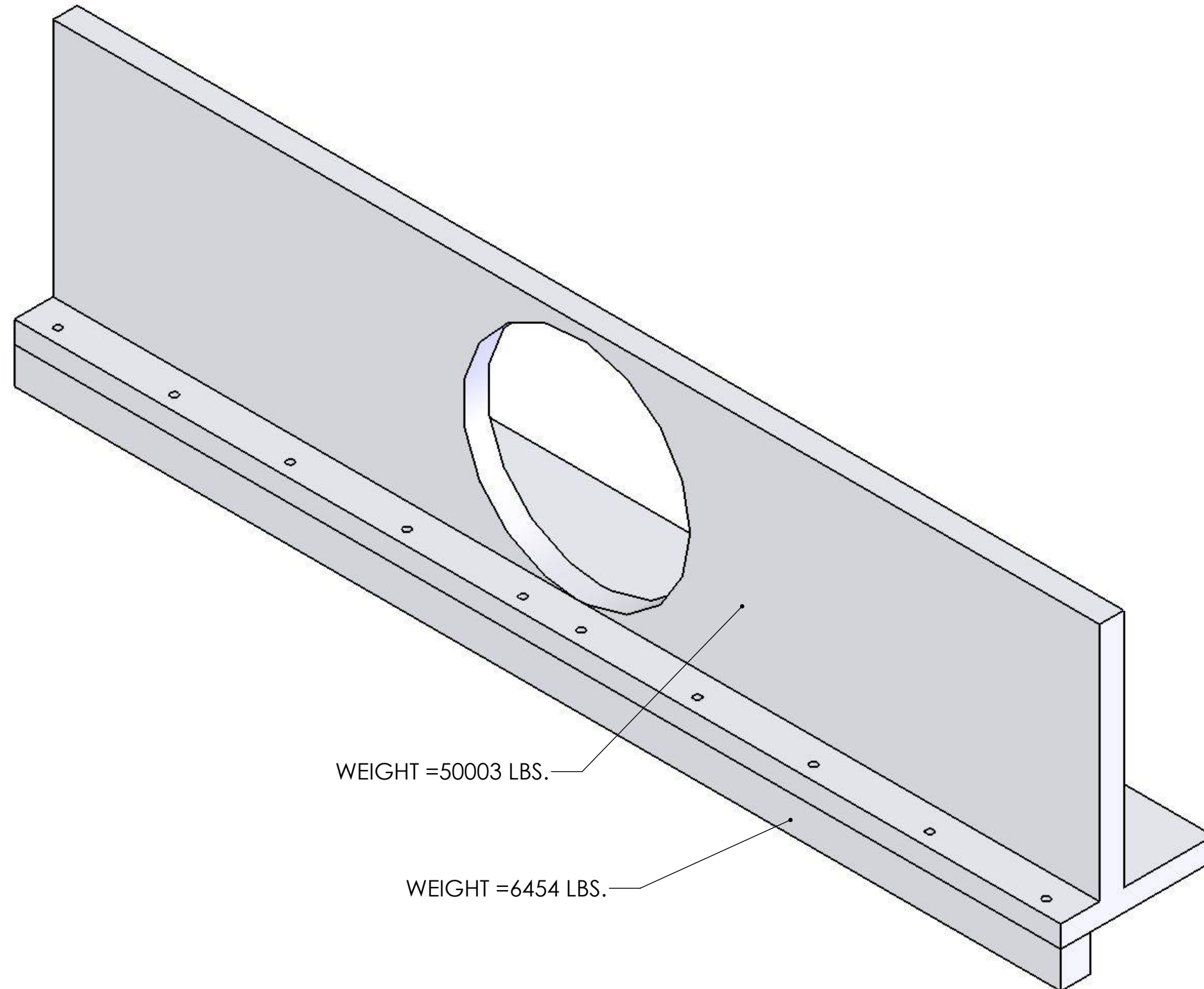
10" WALL

9" BASE

5# REBAR

SHEET 1 OF 3

# HEADWALLS 72"





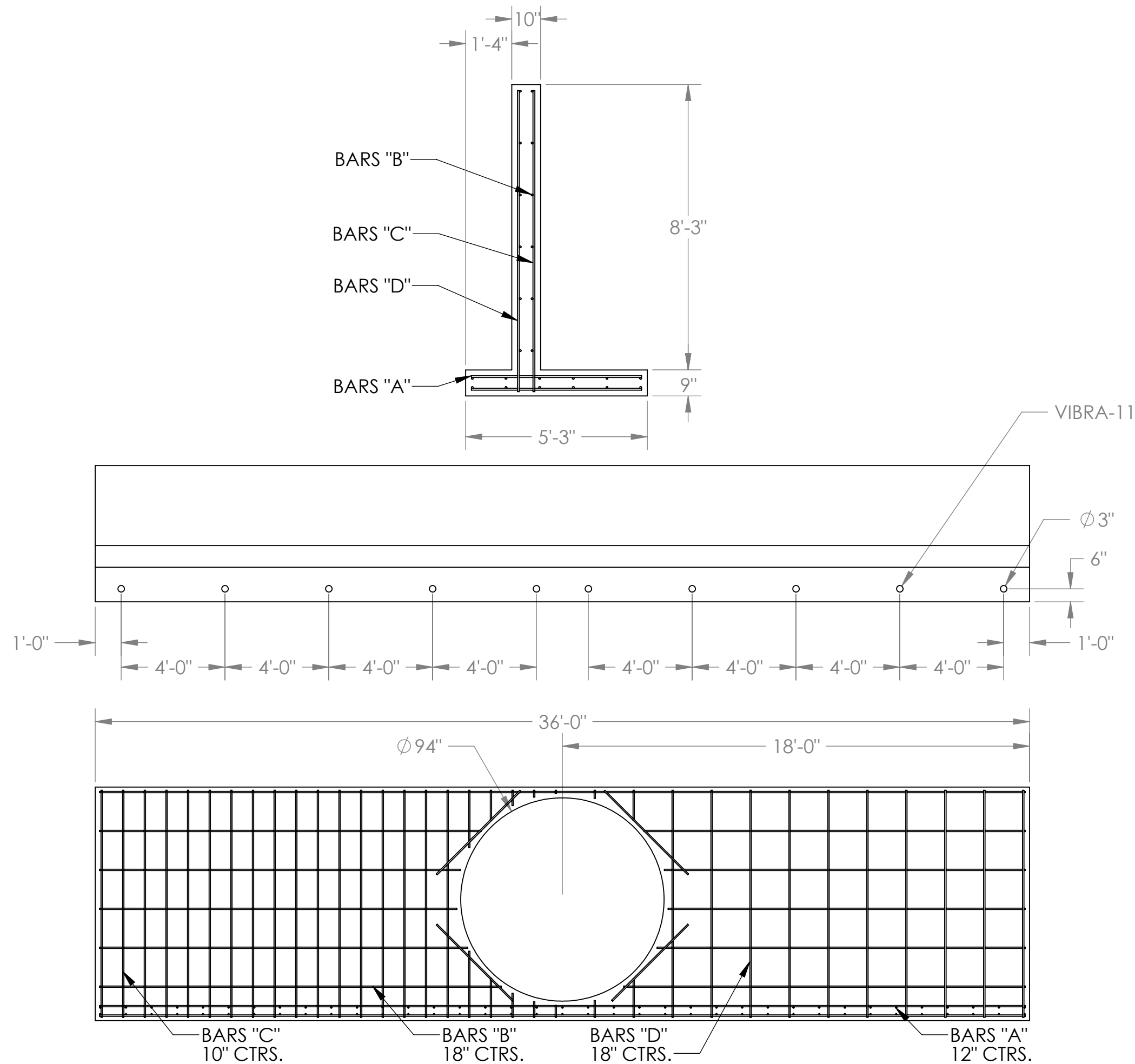
### NOTES

#### CONCRETE SPECS

4,000 PSI @ 28 DAYS  
TYPE II CEMENT  
REINF. REF. FDOT INDEX 253

#### STANDARDS

10" WALL  
9" BASE  
5# REBAR



SHEET 2 OF 3

## HEADWALLS 72"

FOR ALL YOUR STORM & SANITARY NEEDS



PH: (239)482-7468  
FX: (239)482-7469

COASTAL PREGAST  
*of Florida*

P.O. BOX 370  
ESTERO, FL. 33928

## NOTES

### CONCRETE SPECS

4,000 PSI @ 28 DAYS

TYPE II CEMENT

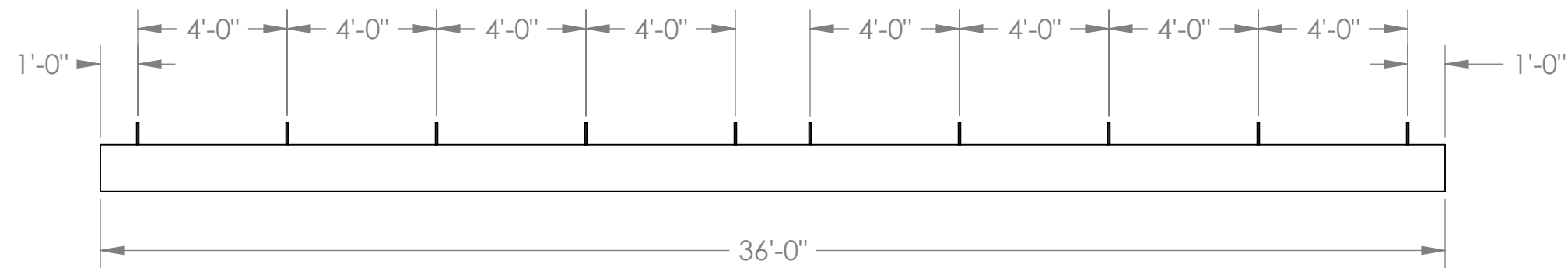
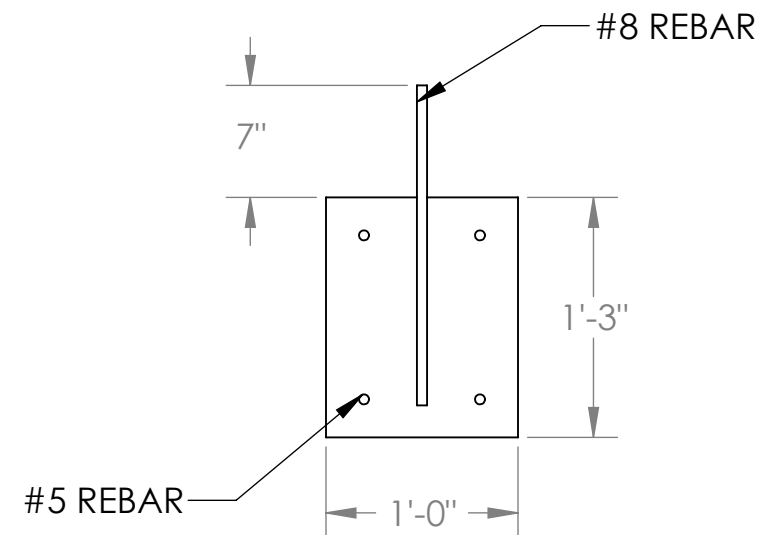
REINF. REF. FDOT INDEX 253

### STANDARDS

10" WALL

9" BASE

5# REBAR



SHEET 3 OF 3

## HEADWALLS 72"