

FOR ALL YOUR STORM & SANITARY NEEDS



PH: (239)482-7468

FX: (239)482-7469

COASTAL PREGAST  
*of Florida*

P.O. BOX 370  
ESTERO, FL. 33928

## NOTES

### CONCRETE SPECS

4,000 PSI @ 28 DAYS

TYPE II CEMENT

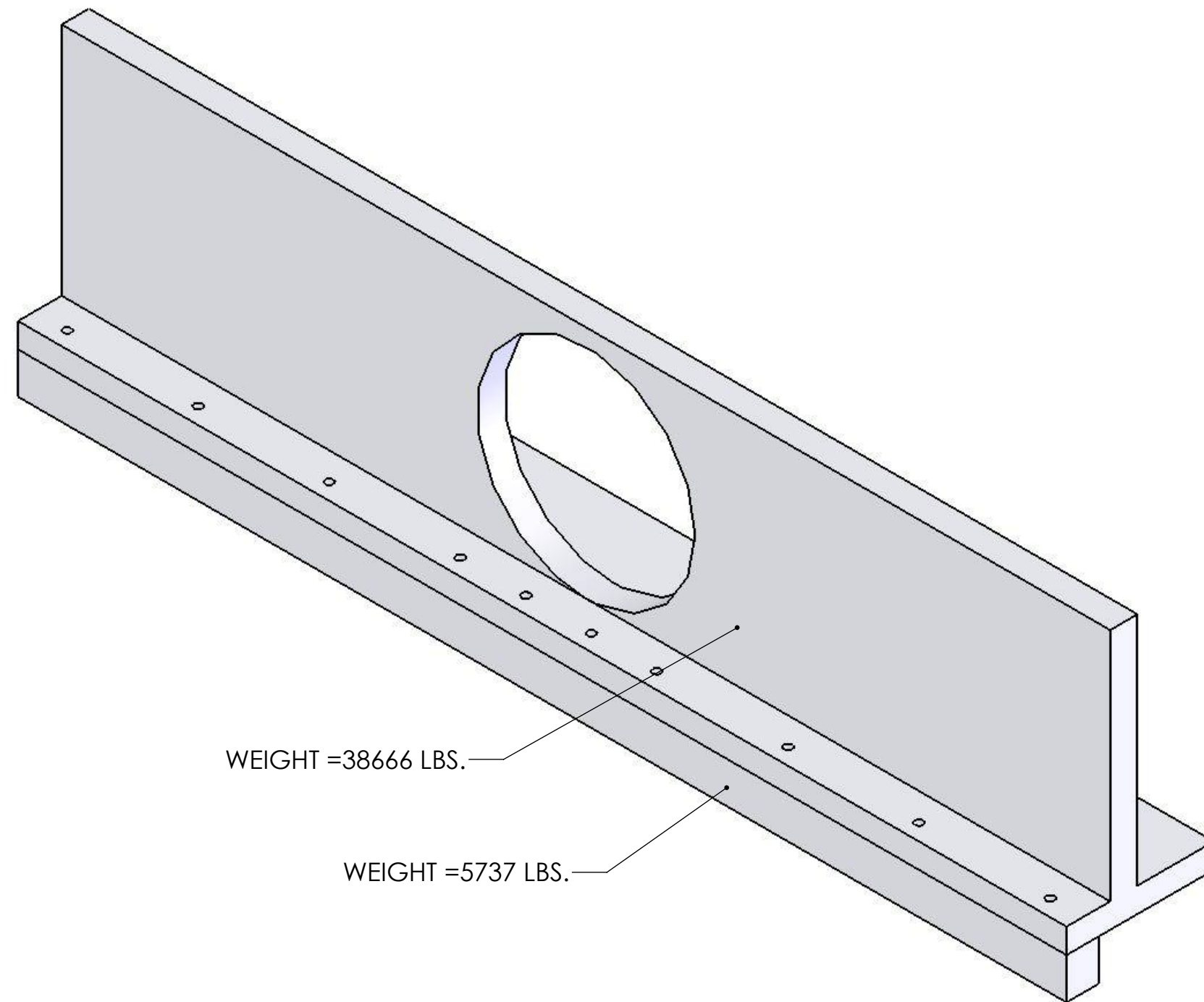
REINF. REF. FDOT INDEX 251

### STANDARDS

10" WALLS

9" BASE

5# REBAR



SHEET 1 OF 3

## HEADWALLS 60"



### NOTES

#### CONCRETE SPECS

4,000 PSI @ 28 DAYS

TYPE II CEMENT

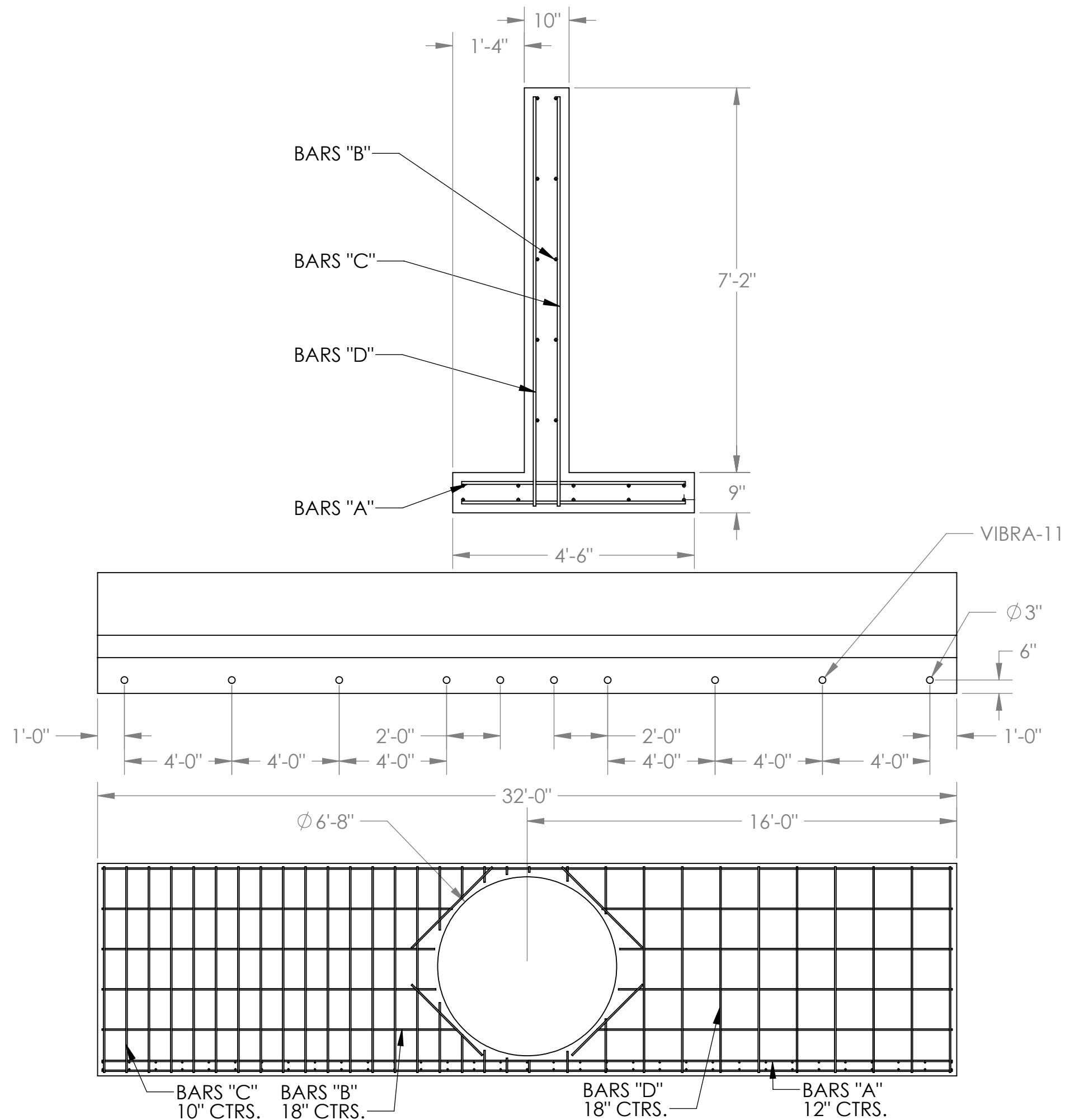
REINF. REF. FDOT INDEX 251

#### STANDARDS

10" WALLS

9" BASE

5# REBAR



FOR ALL YOUR STORM & SANITARY NEEDS



PH: (239)482-7468  
FX: (239)482-7469

COASTAL PREGAST  
*of Florida*

P.O. BOX 370  
ESTERO, FL. 33928

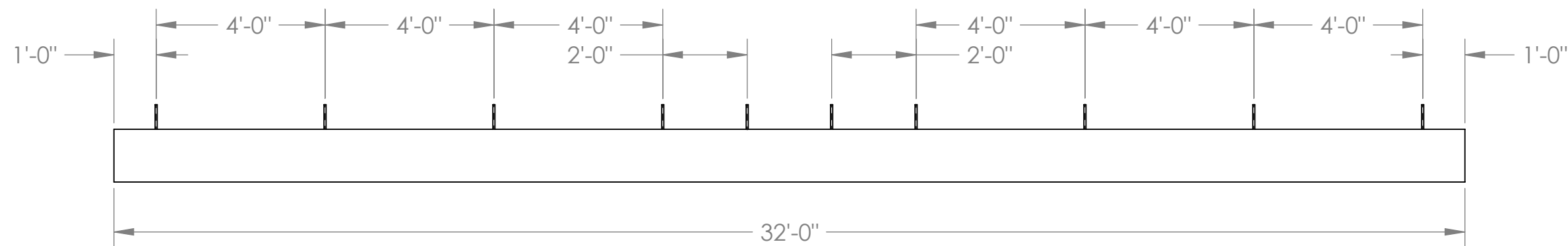
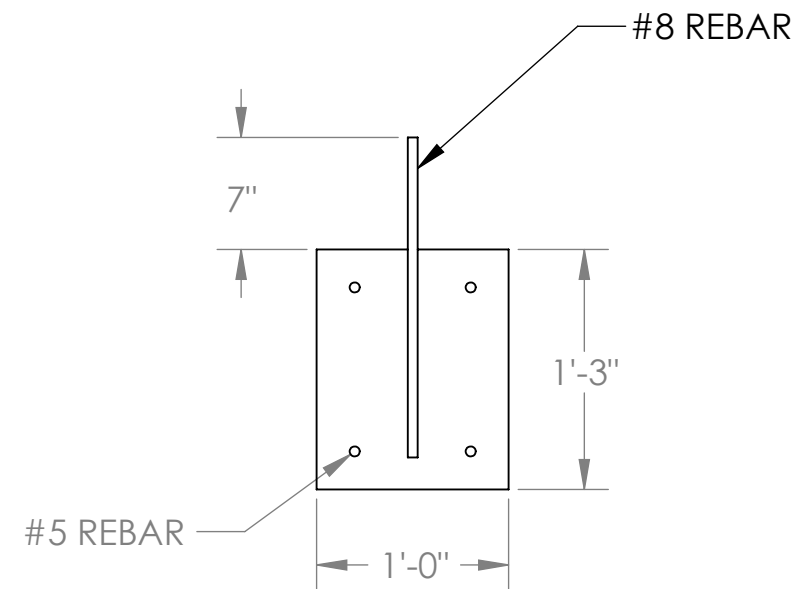
## NOTES

### CONCRETE SPECS

4,000 PSI @ 28 DAYS  
TYPE II CEMENT  
REINF. REF. FDOT INDEX 251

### STANDARDS

10" WALLS  
9" BASE  
5# REBAR



SHEET 3 OF 3

## HEADWALLS 60"